

INSTALLATION INSTRUCTIONS

EXIT ALARM

SERIES: ALK, NALK, ALW, NALW

POWER REQUIREMENTS:

ALK and NALK are Battery operated Exit Alarms.

ALW and NALW are Remote Power operated Exit Alarms requiring an external power source of 12 to 24 VDC or 24 VAC at .25 amp and power transfer (Part No. EPT-2 or EPT-5) or a 2 conductor power transfer hinge.

OPTIONS:

Remote Activation: Triggers alarm with other inputs (e.g. door position switch)

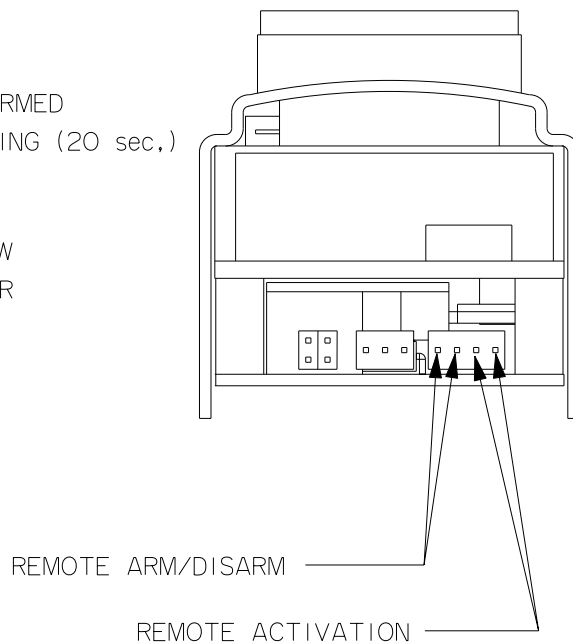
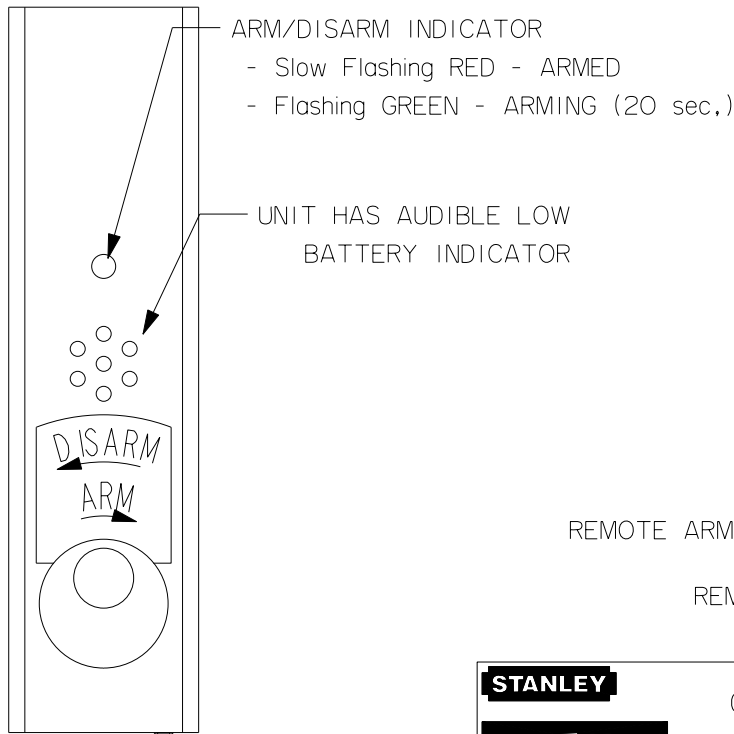
NOTE: WH495 Wiring Harness and power transfer is required.

Remote Arm/Disarm: Exit Alarm can be turned on (Armed) or off (Disarmed) from a remote location (e.g. control panel etc.)

NOTE: WH495 Wiring Harness and power transfer is required.

CHECK MINIMUM DOOR WIDTH per type of Device before attempting installation. If door width is less than shown, Exit Alarm cannot be installed.

	MINIMUM DOOR WIDTH		
DEVICE SERIES:	2'-6" STD	3' STD.	4' STD.
APEX WIDE STYLE	30" DOOR	36" DOOR	40" DOOR
NARROW STILE APEX SERIES	N/A	34" DOOR	38" DOOR



STANLEY

phi

DRWG 01639-11-000 DATE 4-1-04 REVISION D

Precision Hardware
a Division of Stanley Security Solutions, Inc.
www.stanleysecuritysolutions.com

① DEVICE PREPERATION

1. Install Device per Installation Instructions furnished with Device.
2. Remove End Cap and Bracket (if installed).
3. For Remote Power, Remote Activation or Remote Arm/Disarm, drill 5/8" diameter as shown in FIGURE 1.
4. Remove Filler as shown in FIGURE 2.
5. Remove Hex Dogging parts as shown in FIGURE 2 (if installed).
6. Cut Filler (if required) by cutting the new Filler to the same length as the old Filler as shown in FIGURE 3.

NOTE: Cylinder hole MUST BE toward the touch bar.

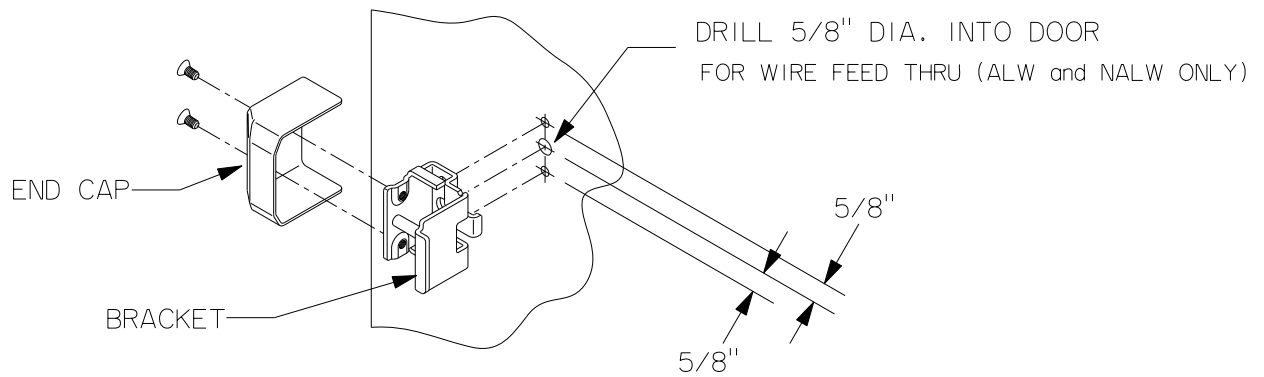


FIGURE 1

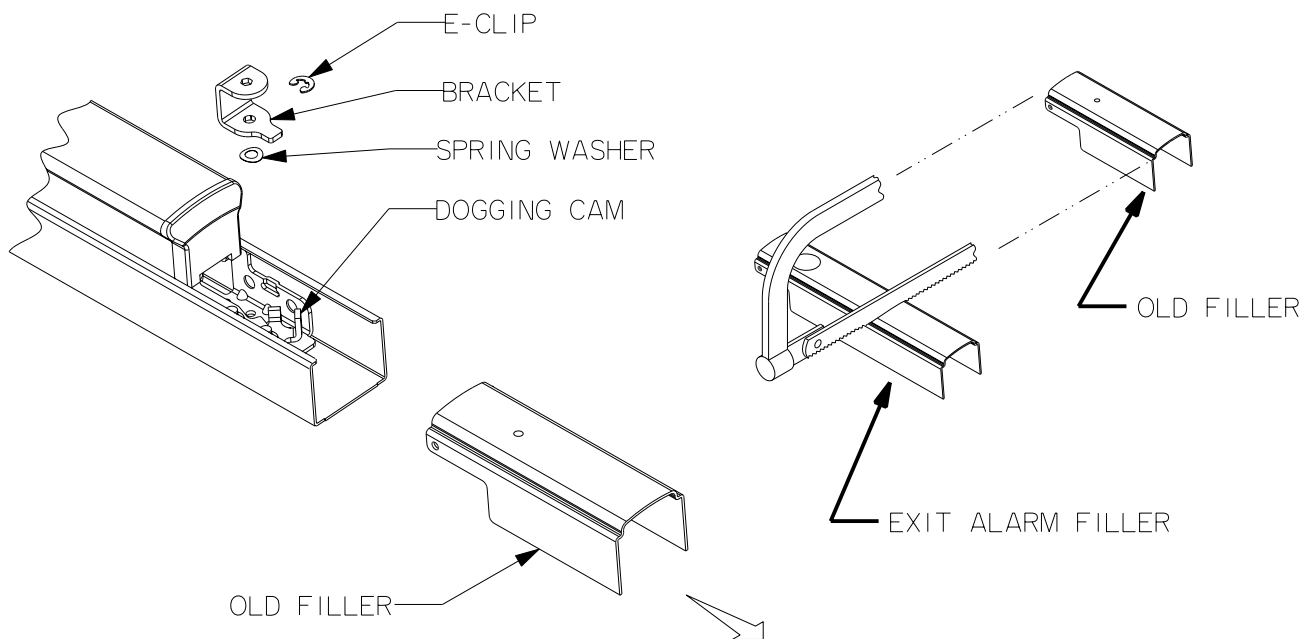


FIGURE 2

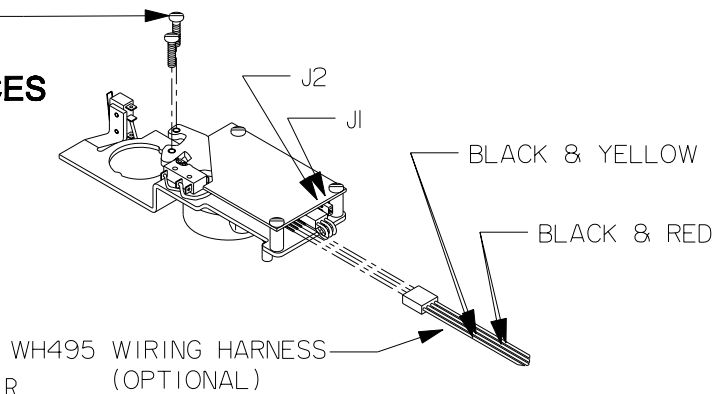
FIGURE 3

2 ALARM PREPARATION

1. For ALW and NALW, connect WH495 Wiring Harness as shown in FIGURE 4.

2. For FL Devices and Devices without dogging, install 2) #6-32 screws as shown in FIGURE 4 and tighten completely.

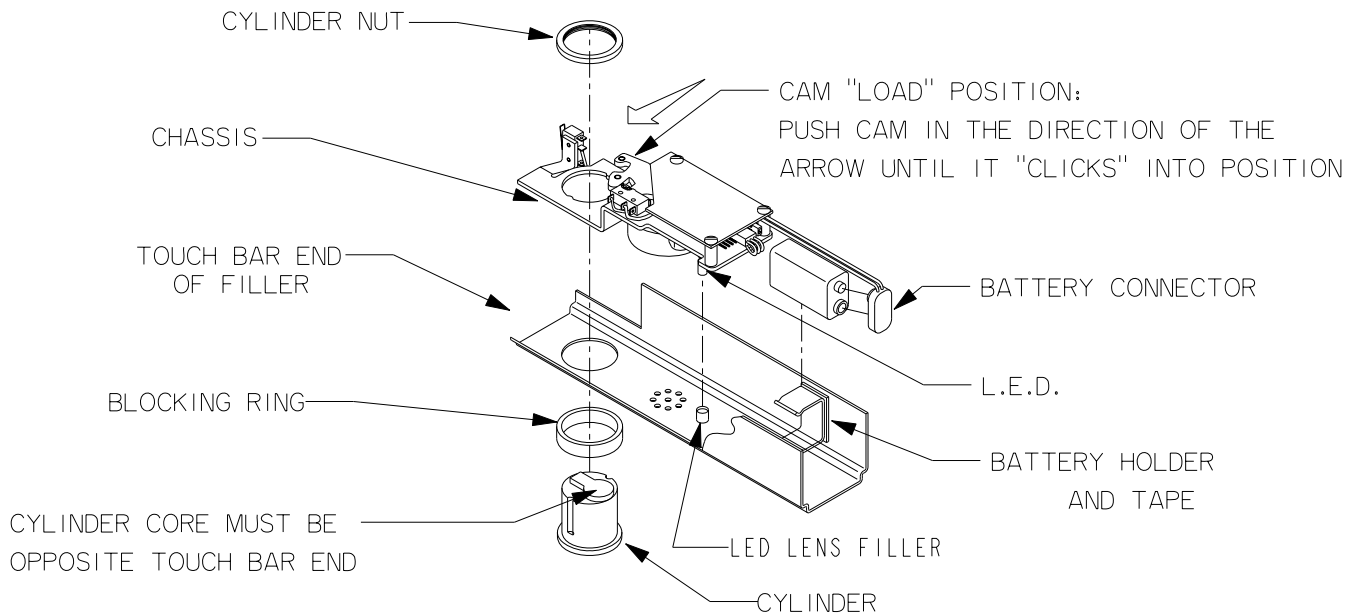
#6-32 SCREWS ARE USED ONLY ON FL OR NON-DOGGING DEVICES



3 INSTALL ALARM IN FILLER

1. Place Cam in "Load" position as shown.
2. Align Cylinder hole in Filler with Cylinder hole in Chassis.
3. Align L.E.D. with L.E.D. lense in Filler.
4. Insert Cylinder with the Cylinder Core as shown thru Blocking Ring and hole in Filler and Chassis and secure with Cylinder Nut.
5. For ALK and NALK:
 - A. Install Battery Holder with Tape as shown.
 - B. Connect Battery with Battery Strap and place in Battery Holder.

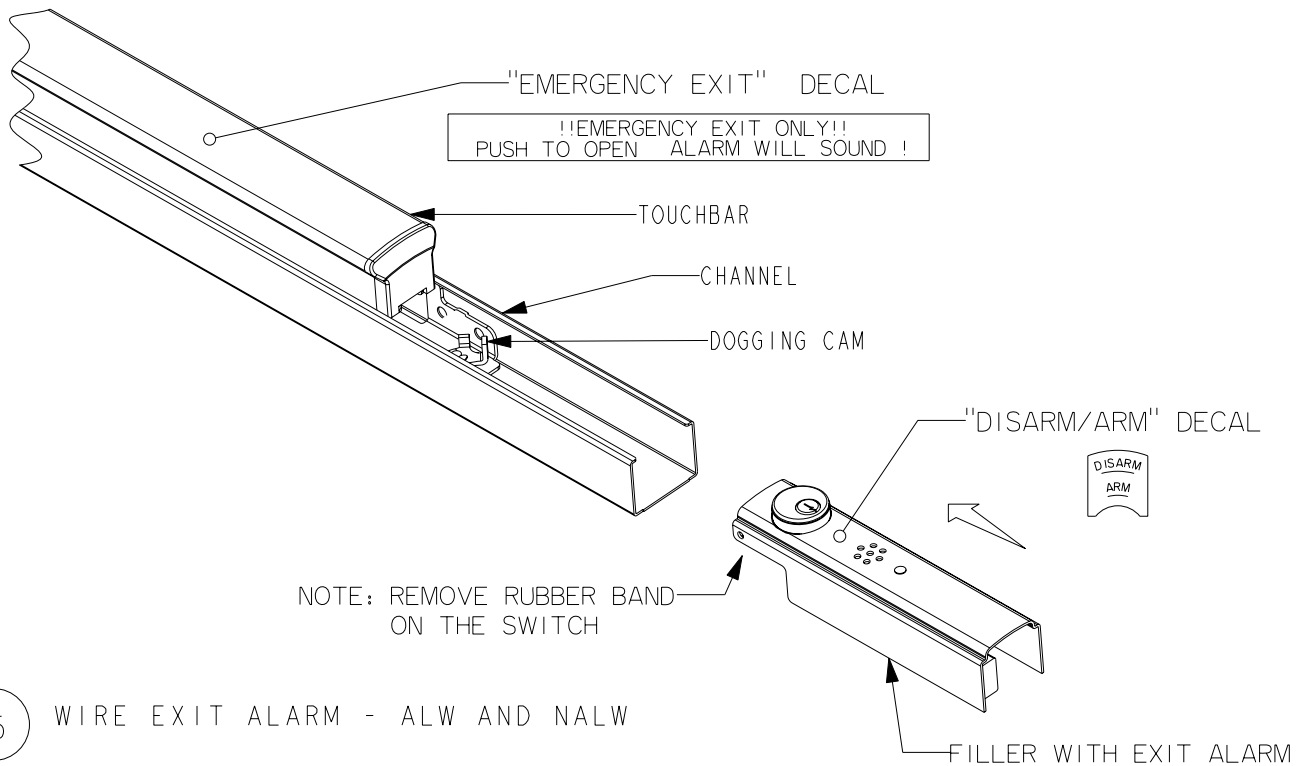
FIGURE 4



4

INSTALL FILLER IN DEVICE

1. For Devices with dogging, place Device in "dogged" position by depressing Touch Bar and rotating Dogging Cam.
2. Remove rubber band from switch.
3. Slide Filler into the Channel.
4. Install Decals as shown.
5. For ALK and NALK, install Bracket and End Cap as shown in FIGURE 1.



5

WIRE EXIT ALARM - ALW AND NALW

SEE FIGURE 4

Remote Power - 12 to 24 VDC or 24 VAC at .25 amp

1. Connect BROWN wire from Exit Alarm to POSITIVE lead from power transfere hinge.
2. Connect GRAY wire from Exit Alarm to NEGATIVE lead from power transfere hinge.
3. Install Bracket and End Cap as shown in FIGURE 1.

Remote Activation - Switch operated

1. Connect BLACK and RED wires from Exit Alarm to switch thru power transfere hinge.
2. Install Bracket and End Cap as shown in FIGURE 1.

Remote Arm/Disarm - Switch operated

1. Connect BLACK and YELLOW wires from Exit Alarm to switch thru power transfere hinge.
2. Install Bracket and End Cap as shown in FIGURE 1.