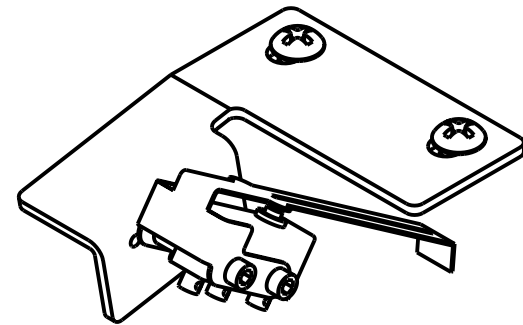


INSTALLATION INSTRUCTIONS

LATCH BOLT MONITORING LSRK298/LDSRK298 CONVERSION KIT



LS/LDS ASSEMBLY

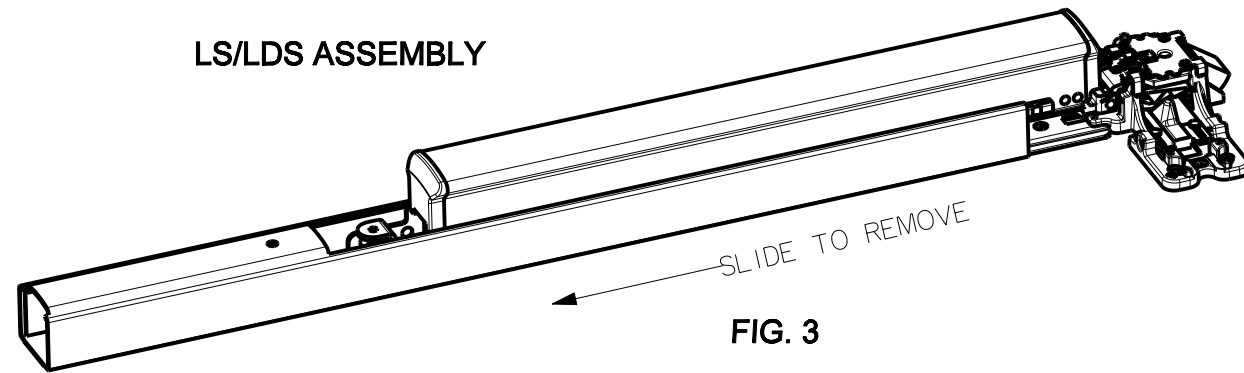


FIG. 3

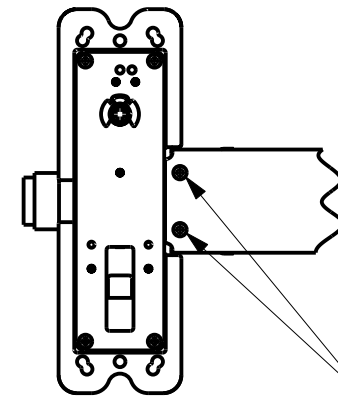
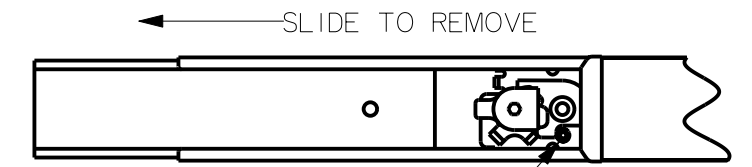


FIG. 1

CHANNEL SCREWS
#8-32 M.S.



LOOSEN SET SCREW

FIG. 2

LATCH BOLT MONITORING
ASSEMBLY

TOP PLATE SCREWS
#8-32 M.S.

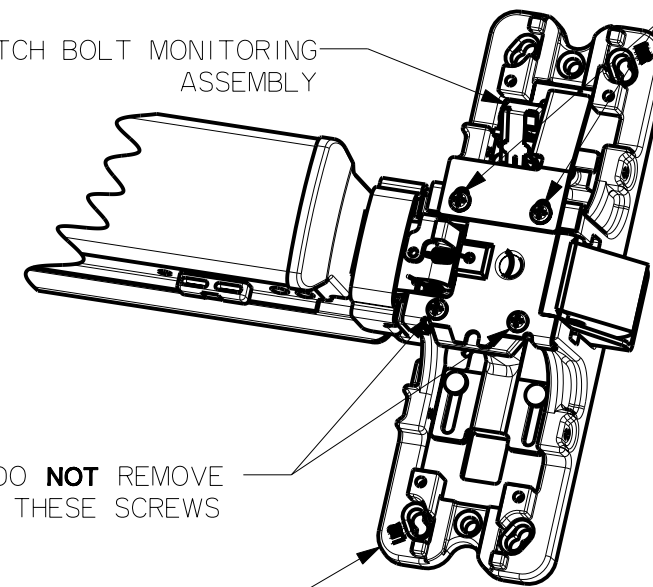


FIG. 4

DO NOT REMOVE
THESE SCREWS

CHASSIS

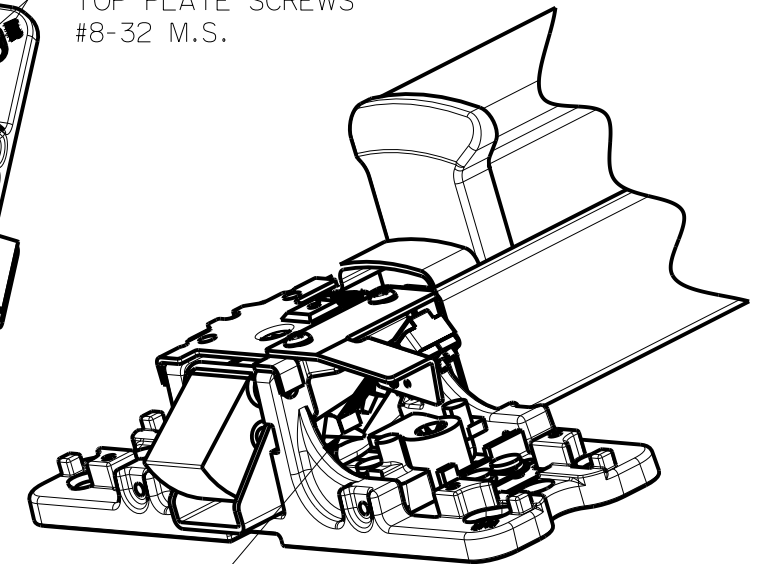


FIG. 5

SWITCH LEAF SHOULD
BE RESTING ON THE LATCHBOLT

- 1 - Remove the 2 channel screws (Fig. 1) Loosen set screw (FIG 2) and slide device channel away from chassis. (FIG. 3)
- 2 - Remove the 2 Top Plate screws shown and attach the latch bolt monitoring assembly (FIG. 4) Position the switch leaf under the latchbolt as shown (FIG. 5) When the latchbolt is pushed in, a switch closure should appear across the tan and yellow wires
- 3 - Carefully route the wires through the chassis, into the wire run slots and down the subplate. (Fig. 6) Secure wires with tape.
- 4 - Slide device channel back to the chassis and secure it with Channel screws. Snug the set screw and slide in the hinge filler

NOTE: For wiring details refer to drawing # 01852-II-000 for electrical information.

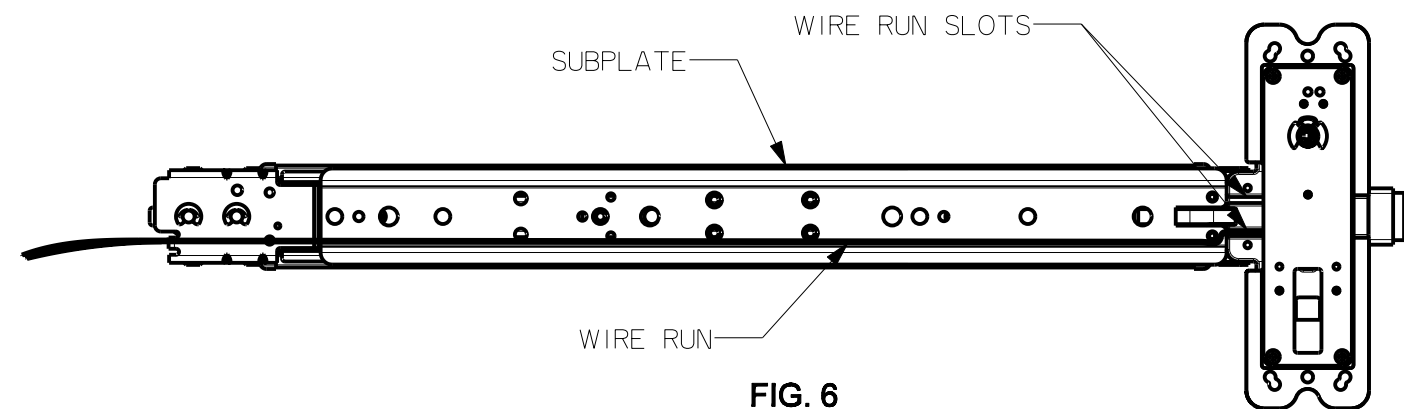


FIG. 6

STANLEY

phi

DRWG 01849-11-000 DATE 6-9-04 REVISION B

Precision Hardware
a Division of Stanley Security Solutions, Inc.
www.stanleysecuritysolutions.com