

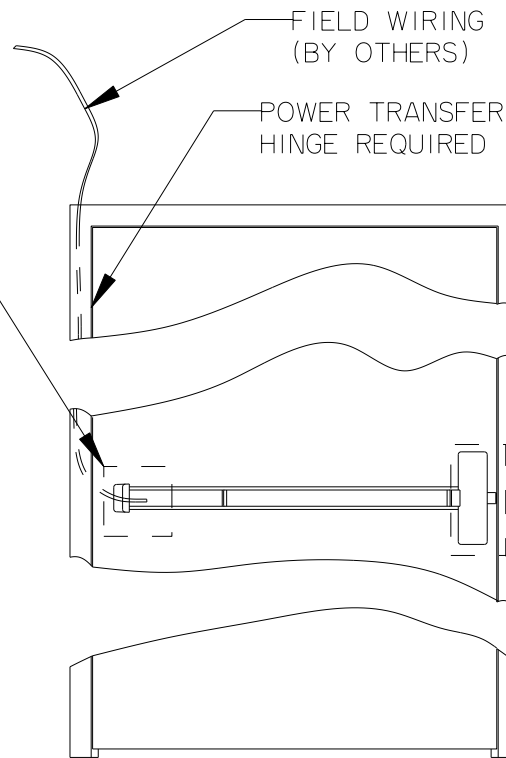
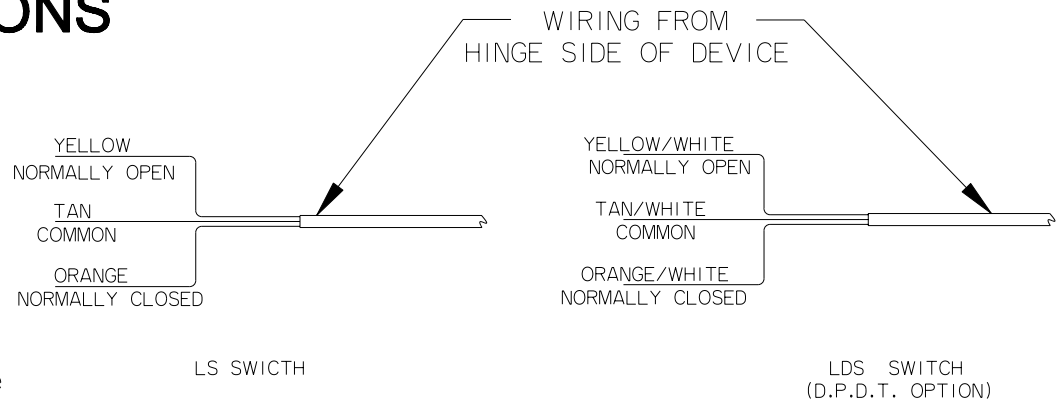
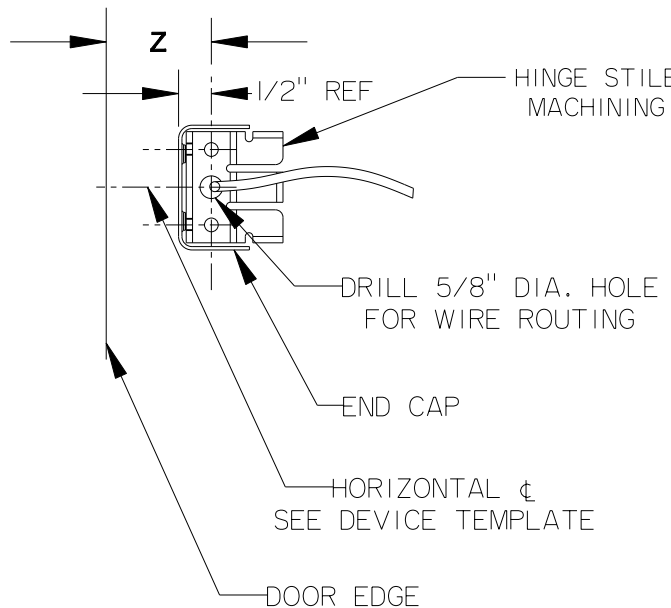
# INSTALLATION INSTRUCTIONS

## LATCH BOLT MONITORING SWITCH LS AND LDS SERIES WIRING DETAILS

FOR STANDARD 3' OR 4' DOORS:

- Wide stile device with 2-3/4" backset:  
**Z = 2-1/4"**
- Narrow stile device on Aluminum door/frame  
with 1-1/16" backset: **Z = 1-1/16"**
- Narrow stile device on Hollow metal door/frame  
with channel cut to 1-1/8" recommended clearance  
**Z = 2-1/8"**

(For installation with mullion and other backset requirements, add or subtract from dimension shown.)



**WIRING:**  
Disconnect all power before servicing.  
Consult local codes to determine proper wiring

**OPERATION:**  
Normally Open Circuit:  
(across tan and yellow wires)  
Touchbar Released = open circuit  
Touchbar Depressed = closed circuit

Normally Closed Circuit:  
(across tan and orange wires)  
Touchbar Released = closed circuit  
Touchbar Depressed = open circuit

For Lock Stile machining and  
Mounting Bracket location  
see Device Template

**STANLEY**

**phi**

DRWG 01852-11-000 DATE 6/11/03 REVISION B

**Precision Hardware**  
a Division of Stanley Security Solutions, Inc.  
[www.stanleysecuritysolutions.com](http://www.stanleysecuritysolutions.com)