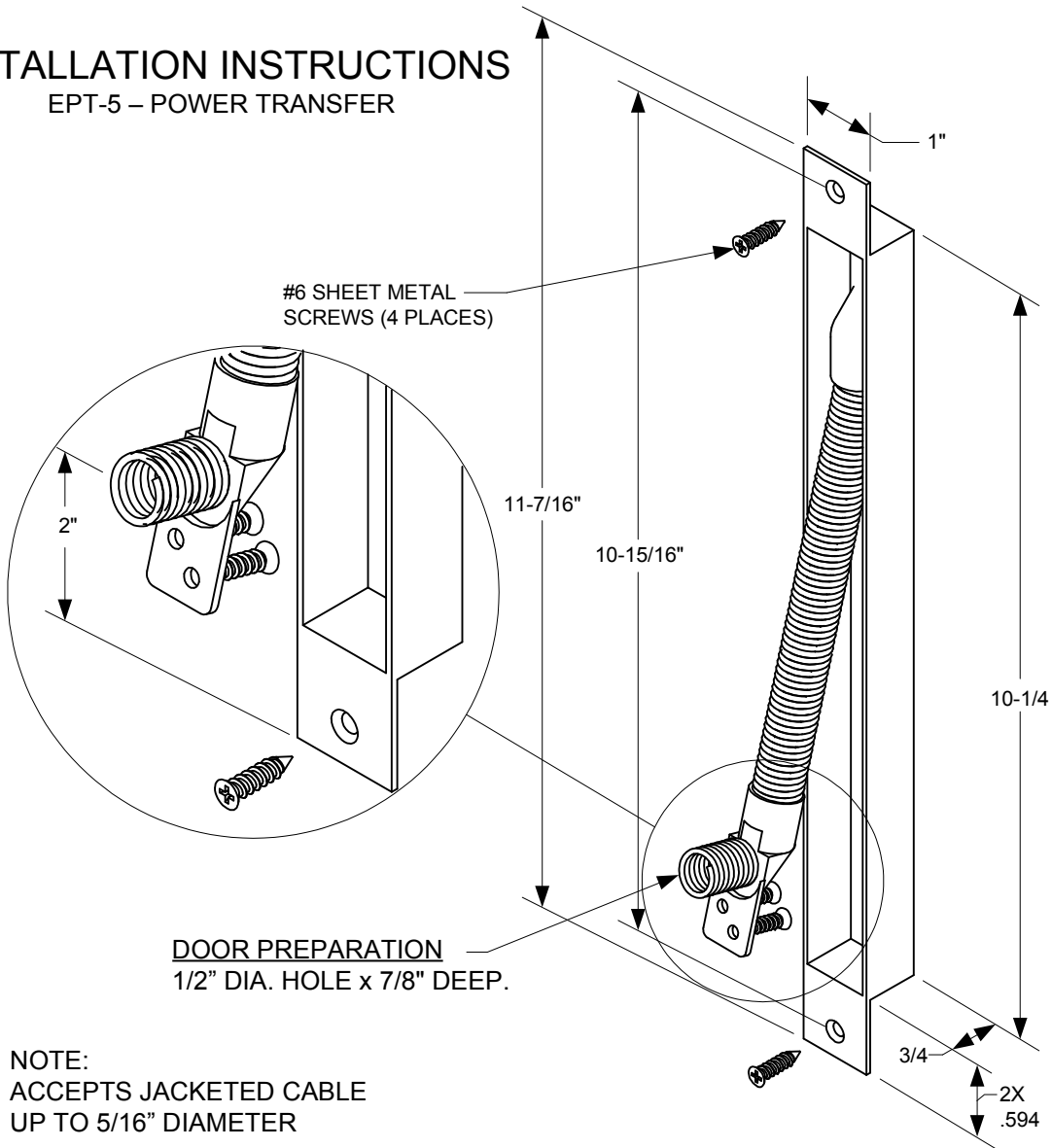
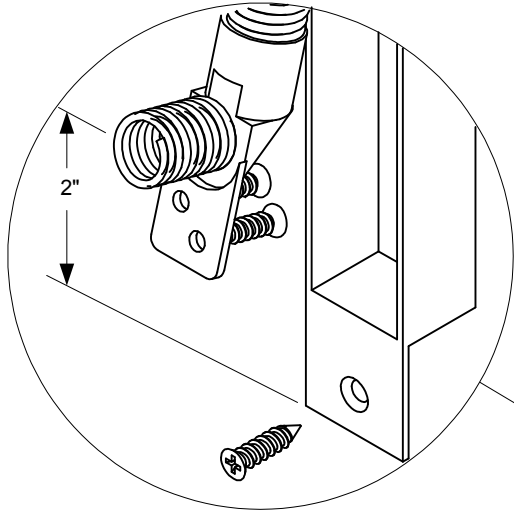


INSTALLATION INSTRUCTIONS

EPT-5 – POWER TRANSFER



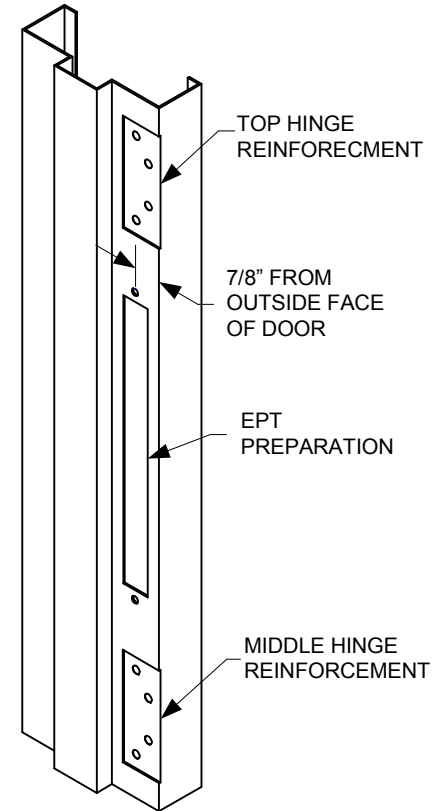
#6 SHEET METAL SCREWS (4 PLACES)



DOOR PREPARATION
1/2" DIA. HOLE x 7/8" DEEP.

NOTE:
ACCEPTS JACKETED CABLE
UP TO 5/16" DIAMETER

RECOMMENDED POSITION:
LOCATE BETWEEN TOP
AND MIDDLE HINGE
REINFORCEMENT.



FRAME PREPARATION
10.25" L x 1.00" W x .75" D

FOR WOOD AND METAL DOORS AND FRAMES
INTENDED FOR DOOR OPENINGS LESS THAN 120"
NOT INTENDED FOR CENTER HUNG DOOR APPLICATIONS

STANLEY

DRAWING #
01948-11-000

DATE
06/17/09

REVISION
F

phi

Precision Hardware
a Division of Stanley Security Solutions, Inc.
www.stanleysecuritysolutions.com