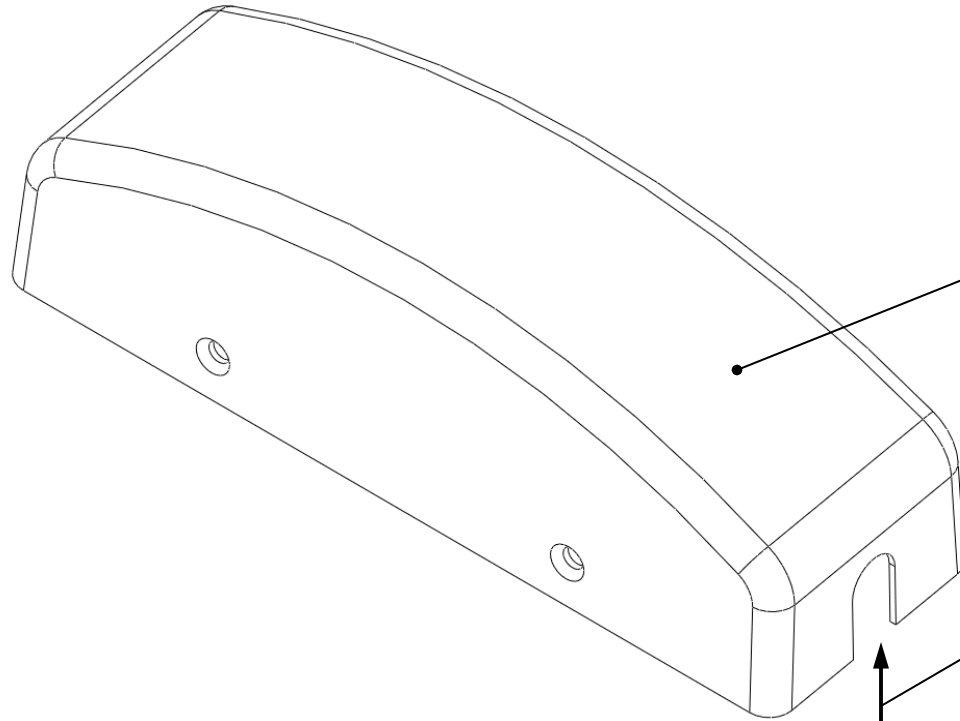


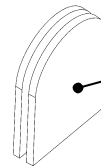
LBR - Less Bottom Rod Cover Plug Installation Instructions
2200LBR/200LBR Series Devices



Chassis Cover

00194-51, 01180-51, 01183-51
(Supplied with 2200/200 device)

Slide plug into cover notch for bottom rod before mounting cover to device chassis.



LBR Cover Plug

05124-51
(Supplied with 2200/200 top rod kit)

ATTENTION!

**Plug must be used with all 2200LBR
and 200LBR device applications.
(Not used with 5200LBR devices.)**

LBR - Less Bottom Rod Cover Plug Installation Instructions
2200LBR/200LBR Series Devices Page 1 of 1

STANLEY

DRAWING
05272-11-000

REV.
A

DATE
10/13/2008

phi

Precision Hardware
a Division of Stanley Security Solutions, Inc.
www.stanleysecuritysolutions.com