

PUSH PLATE MOUNTING BOXES

USER'S GUIDE

PRODUCT DESCRIPTION

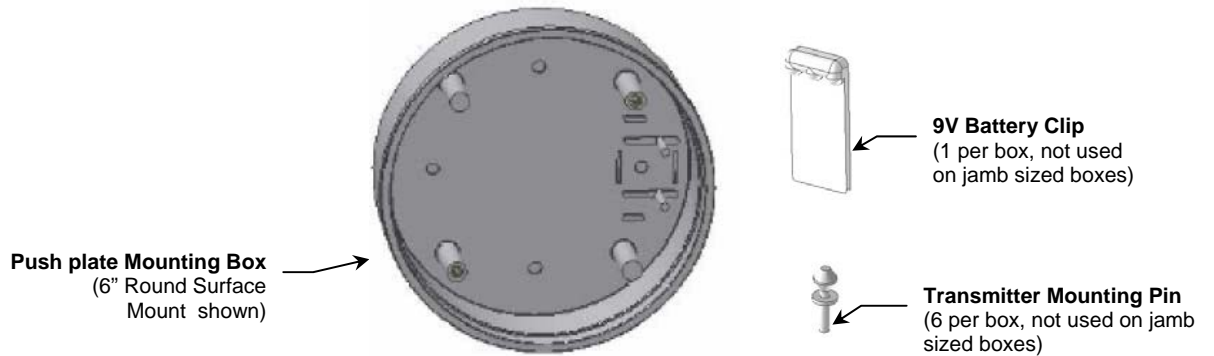
Stanley's-PHI line of push plate hardware is expanded by its line of surface and flush mount push plate boxes. These boxes are made of durable ABS plastic and are made to securely mount a push plate and a variety of optional transmitters to activate an automatic door. Many of the boxes have an optional weather ring to give even more weather protection to the switch. They are also designed to attractively recess the push plate in the housing and to minimize vandalism from prying up the push plate.

SAFETY PRECAUTIONS



- Shut off all power going to the header before attempting any wiring procedures.
- Maintain a clean & safe environment when working in public areas.
- Constantly be aware of pedestrian traffic around the door area.
- Always stop pedestrian traffic through the doorway when performing tests that may result in unexpected reactions by the door.
- Always check placement of all wiring before powering up to insure that moving door parts will not catch any wires and cause damage to equipment.
- Ensure compliance with all applicable safety standards (example: ANSI A156.19) upon completion of installation.

COMPONENT ID



PUSH PLATE SIZE	PUSH PLATE SERIES	SURFACE MOUNT BOX	FLUSH MOUNT BOX	WEATHER RING (Optional)
Jamb (4" hole spacing)		CL2245	CL2246	N/A
4 1/2" Square	CL41XX	CL4638	N/A	N/A
6" Round	CL22XX	CL2220	CL2221	CL2223



4" JAMB



6.5" SQUARE

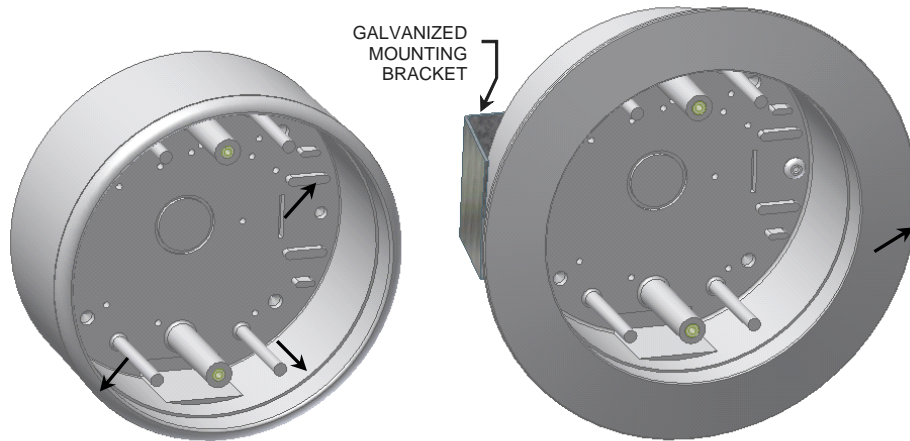


6" ROUND

MECHANICAL INSTALLATION

Prepare the box for installation. If the push plate is to be hard-wired to the operator, remove either the knockout on the back or bottom of the box. Then route the appropriate wire to the box.

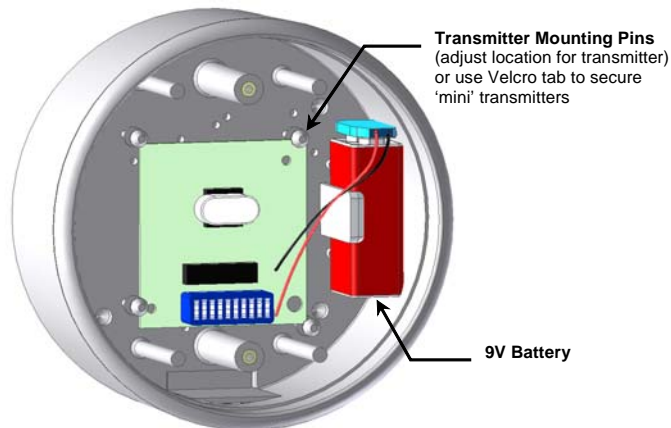
1. Attach the box to the mounting surface. For surface mounted boxes, securely attach the box to the surface using the corner holes. For flush mounted boxes, cut a hole in the mounting surface large enough that the galvanized steel bracket will pass through the hole. Then use a Phillips head screwdriver to tighten the two screws that tighten the bracket to the inside of the wall surface.



SURFACE MOUNT

FLUSH MOUNT

2. If applicable, mount a radio frequency transmitter to the inside of the housing using either the transmitter pins and 9V battery clip, or the Velcro tab enclosed with the transmitter kit.



COMPANY CONTACT

If after troubleshooting a problem, a satisfactory solution cannot be achieved, please contact:

Stanley Security Solutions, Inc.
6161 E. 75th Street
Indianapolis, Indiana, 46250

www.stanleysecuritysolutions.com

NEVER sacrifice the safe operation of the automatic door or gate for an incomplete solution.