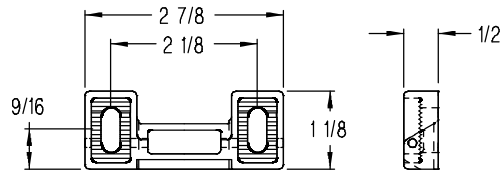


RUB STRIP 1400-07



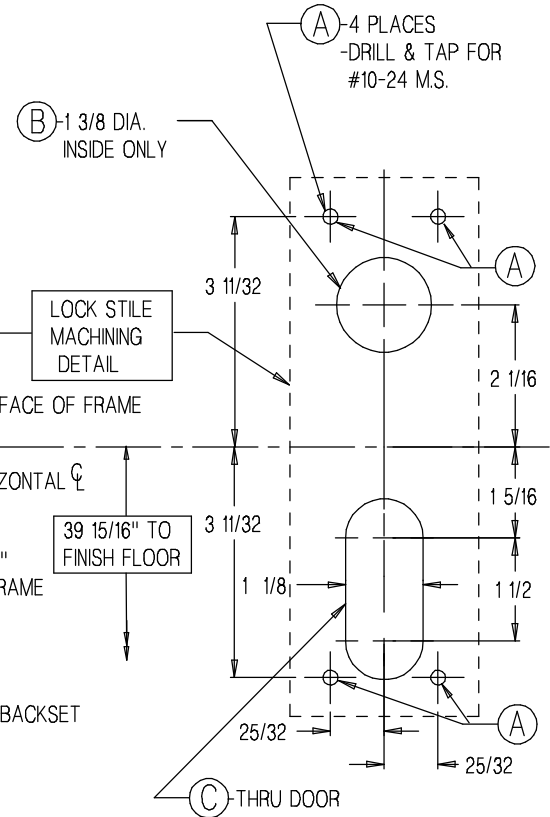
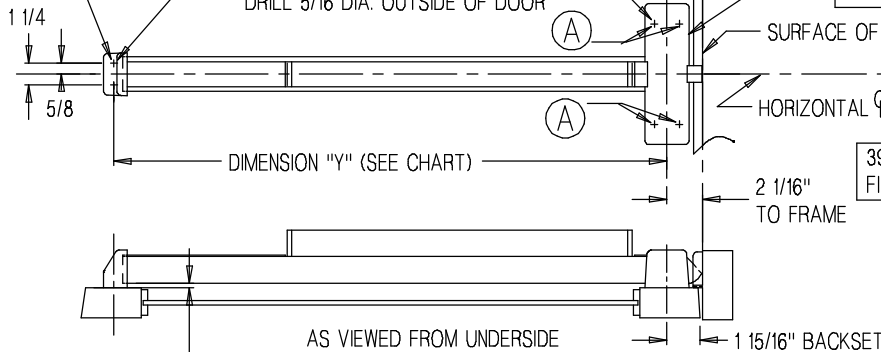
STRIKE 1400-42

HOLE DRILLING SCHEDULE		
DEVICE	HOLE "B"	HOLE "C"
1101	NO	NO
1102	YES	NO
1103	YES	NO
1105	YES	YES
1108	YES	YES
1110		
1105A	NO	YES
1108A		

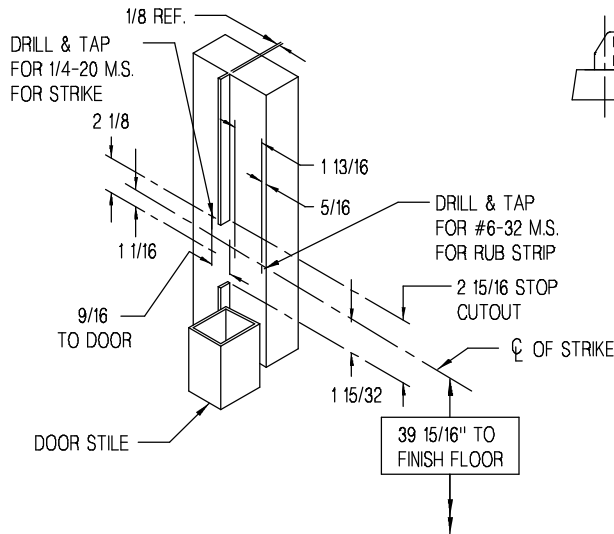
NOTE:  
 - SERIES 1100 x 1400-42 STRIKE FOR 3 1/2" (MINIMUM) STILE DOOR WITH BLADE STOP FRAME.  
 - 4'-0" DEVICE REQUIRED FOR DOORS 3'-0" TO 3'-10".

DRILL AND TAP FOR #10-24 M.S. 2-HOLES

FOR SEX BOLT APPLICATION  
 DRILL 7/32 DIA. INSIDE OF DOOR  
 DRILL 5/16 DIA. OUTSIDE OF DOOR



IF TRIM IS SPECIFIED  
 SEE TRIM TEMPLATE  
 BEFORE DRILLING  
 HOLES A, B, & C



DEVICE ILLUSTRATED IS  
 RIGHT HAND REVERSE BEVEL.  
 FOR LEFT HAND REVERSE BEVEL,  
 REVERSE STILE MACHINING

DOOR WIDTH	DIM "Y"
2'-6"	26"
2'-8"	28"
3'-0"	32"
3'-4"	36"
3'-6"	38"
3'-8"	40"
4'-0"	44"

**PRECISION HARDWARE INC.**  
 P.O. BOX 74040 ROMULUS MI. 48174-0040

DEVICE SERIES  
 1100 x 3 1/2" STILE

TEMPLATE NO. AL-1100-G	REV	RELEASE DATE 10-15-00
---------------------------	-----	--------------------------