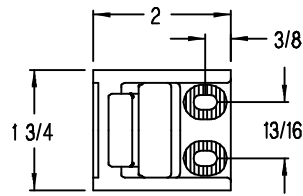


RUB STRIP 1400-07



STRIKE 1400-06

HOLE DRILLING SCHEDULE		
DEVICE	HOLE "B"	HOLE "C"
1101	NO	NO
1102	YES	NO
1103	YES	NO
1105	YES	YES
1108	YES	YES
1110		
1105A	NO	YES
1108A		

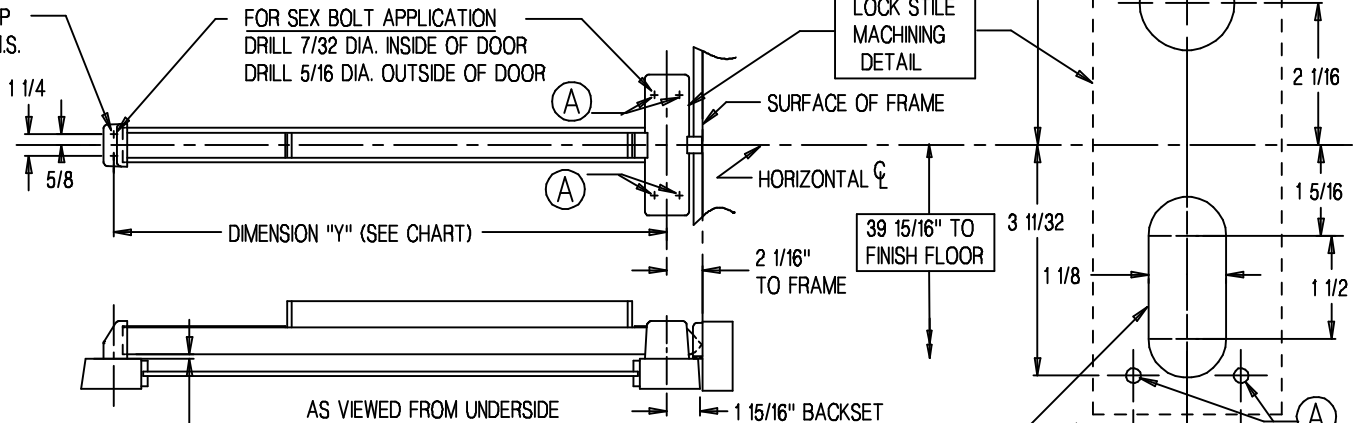
NOTE:
 - SERIES 1100 x 1400-06 STRIKE FOR 3 1/2" (MINIMUM) STILE DOOR WITH BLADE STOP FRAME.
 - 4'-0" DEVICE REQUIRED FOR DOORS 3'-0" TO 3'-10".

DRILL AND TAP FOR #10-24 M.S. 2-HOLES

FOR SEX BOLT APPLICATION
 DRILL 7/32 DIA. INSIDE OF DOOR
 DRILL 5/16 DIA. OUTSIDE OF DOOR

(B) 1 3/8 DIA. INSIDE ONLY

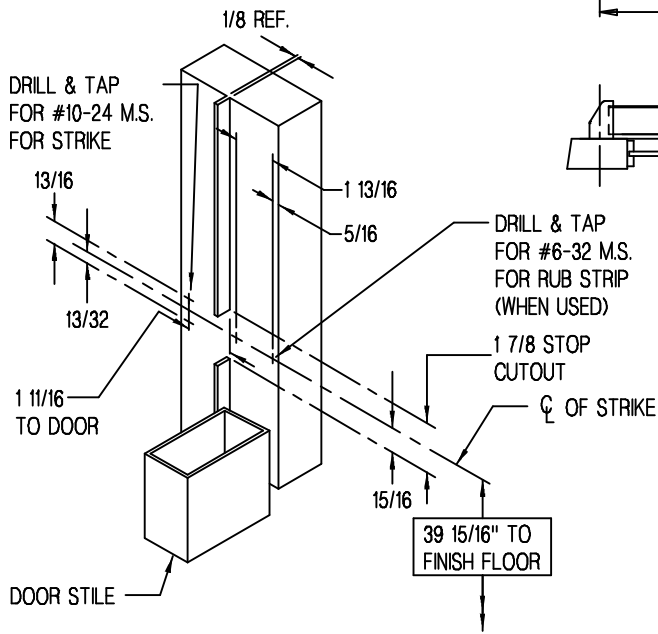
(A) 4 PLACES - DRILL & TAP FOR #10-24 M.S.



AS VIEWED FROM UNDERSIDE

1/4" SPACE TO COMPENSATE FOR GLASS BEADS AND IRREGULARITY ON SURFACE OF FLUSH DOORS

IF TRIM IS SPECIFIED SEE TRIM TEMPLATE BEFORE DRILLING HOLES A, B, & C



DEVICE ILLUSTRATED IS RIGHT HAND REVERSE BEVEL.
 FOR LEFT HAND REVERSE BEVEL, REVERSE STILE MACHINING

DOOR WIDTH	DM "Y"
2'-6"	26"
2'-8"	28"
3'-0"	32"
3'-4"	36"
3'-6"	38"
3'-8"	40"
4'-0"	44"

PRECISION HARDWARE INC.
 P.O. BOX 74040 ROMULUS MI. 48174-0040

DEVICE SERIES
 1100 x 3 1/2" STILE

TEMPLATE NO. AL-1100A-C	REV	RELEASE DATE 10-15-00
-------------------------	-----	-----------------------