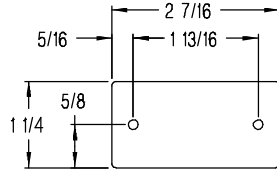
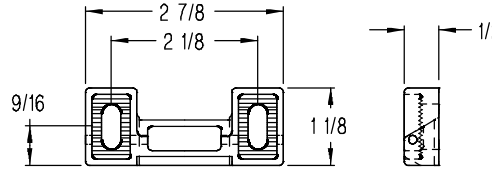


APPLICATION SCHEDULE			
TYPE OF INSTALLATION	STRIKE NO.	BACKSET	STILE WIDTH
SINGLE DOOR W/ 1/2 STOP MAX	1400-42	1 1/16"	1 3/4" MIN.
PAIR OF DOORS W/ NO. 815 MULLION	1400-42	2 1/8"	3" MIN.

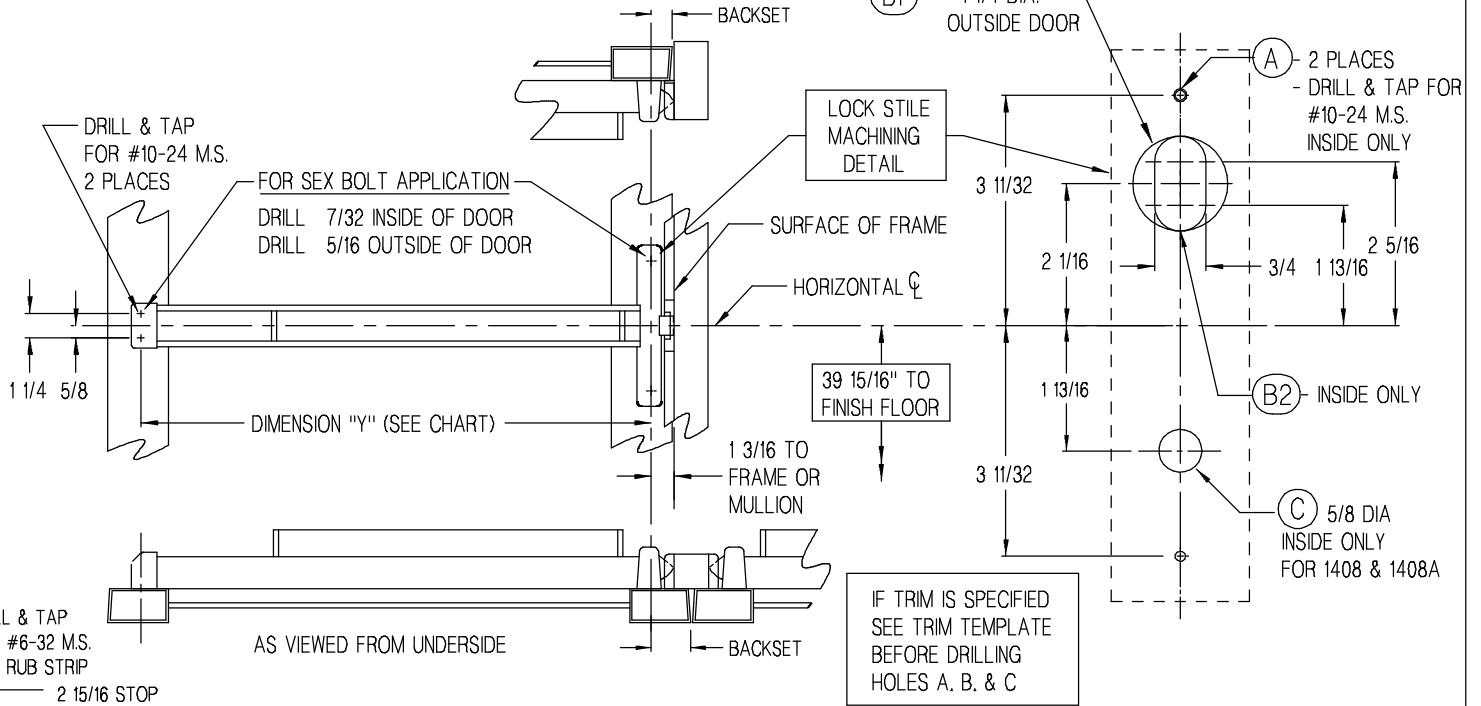
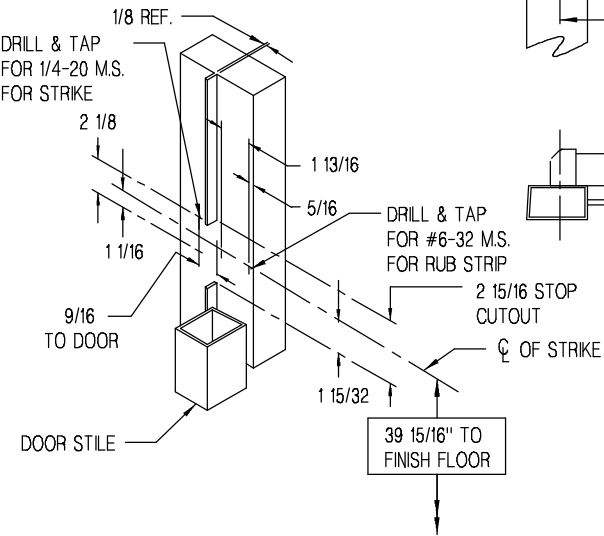
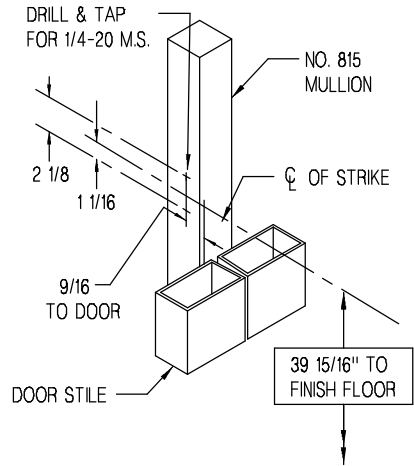
HOLE DRILLING SCHEDULE	
DEVICE	"B1" & "B2"
1401	NO
1402	NO
1403 x LESS TRIM	YES
1403 (29 TRIM)	SEE TRIM TEMPLATE AL-T29-3
1408,1408A (29 TRIM)	SEE TRIM TEMPLATE AL-T29-8



RUB STRIP 1400-07



STRIKE 1400-42



AS VIEWED FROM UNDERSIDE

IF TRIM IS SPECIFIED SEE TRIM TEMPLATE BEFORE DRILLING HOLES A, B, & C

DEVICE ILLUSTRATED IS RIGHT HAND REVERSE BEVEL
FOR LEFT HAND REVERSE BEVEL, REVERSE STILE MACHINING

DOOR OPENING WIDTH	DIM "Y"
2'-6"	27 5/8"
2'-8"	29 5/8"
3'-0"	33 5/8"
3'-4"	37 5/8"
3'-6"	39 5/8"
3'-8"	41 5/8"
4'-0"	45 5/8"

PRECISION HARDWARE INC.
P.O. BOX 74040 ROMULUS MI. 48174-0040

DEVICE SERIES
1400

TEMPLATE NO. AL-1400-F	REV	RELEASE DATE 09-15-00
---------------------------	-----	--------------------------