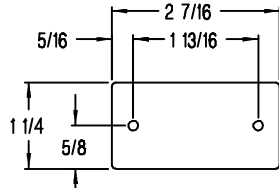
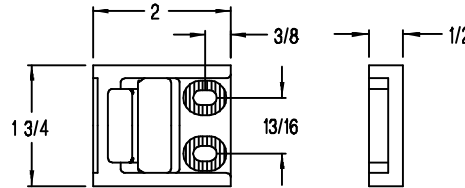


APPLICATION SCHEDULE			
TYPE OF INSTALLATION	STRIKE NO.	BACKSET	STILE WIDTH
SINGLE DOOR W/ 1/2 STOP MAX	1400-06	1 1/16"	1 3/4" MIN.

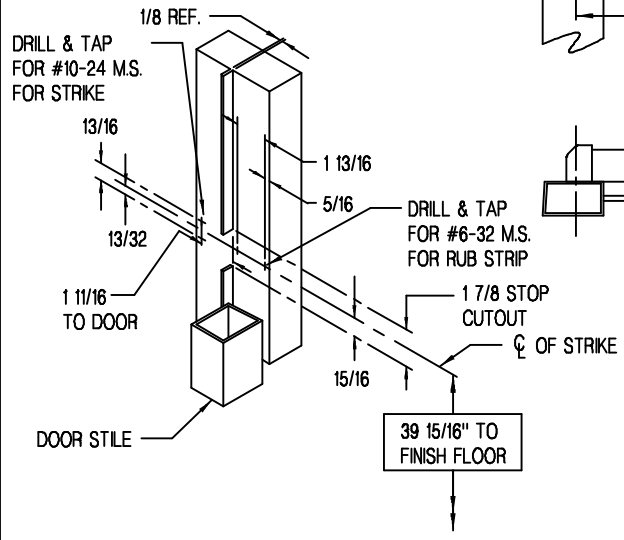
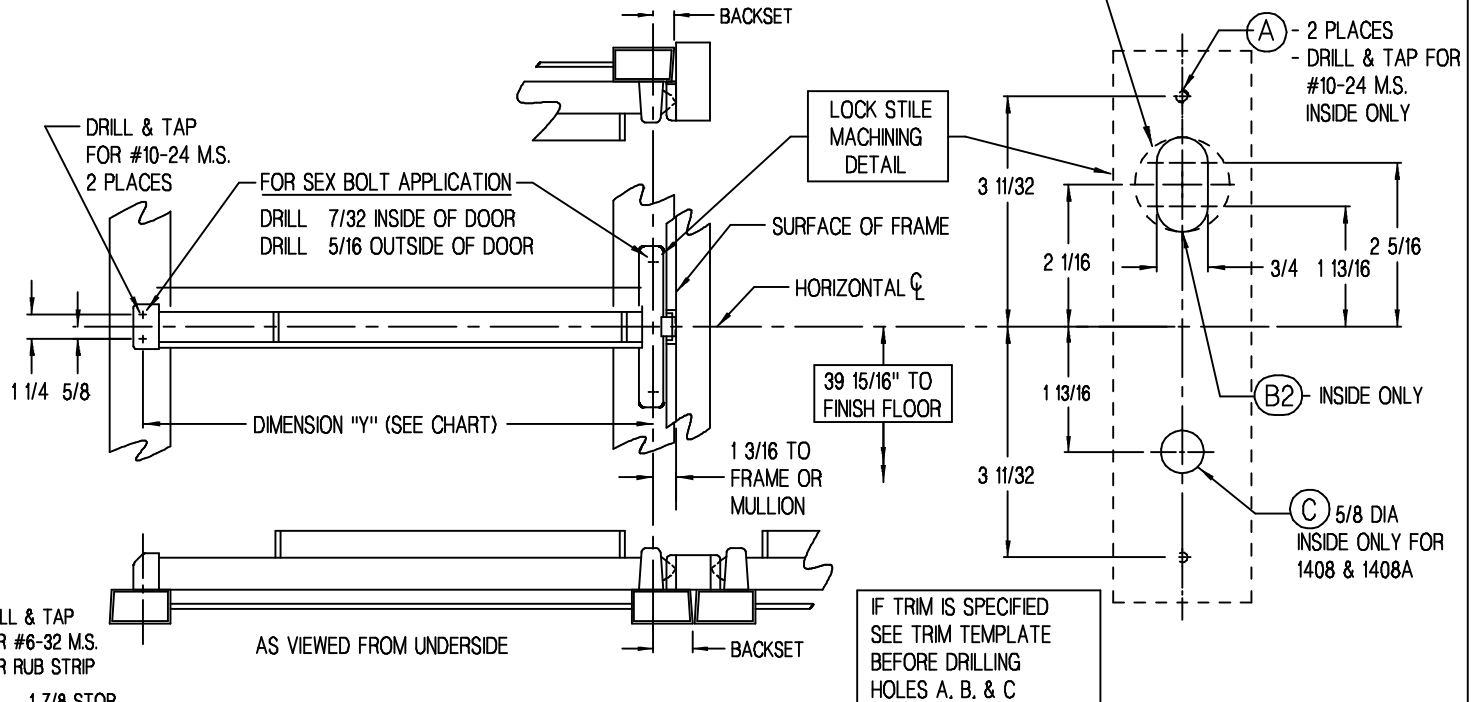


RUB STRIP 1400-07



STRIKE 1400-06

HOLE DRILLING SCHEDULE	
DEVICE	"B1" & "B2"
1401	NO
1402	
1403 x LESS TRIM	YES
1403 (29 TRIM)	SEE TRIM TEMPLATE AL-T29-3
1408,1408A (29 TRIM)	SEE TRIM TEMPLATE AL-T29-8



DEVICE ILLUSTRATED IS RIGHT HAND REVERSE BEVEL.  
FOR LEFT HAND REVERSE BEVEL, REVERSE STILE MACHINING

DOOR OPENING WIDTH	DIM "Y"
2'-6"	27 5/8"
2'-8"	29 5/8"
3'-0"	33 5/8"
3'-4"	37 5/8"
3'-6"	39 5/8"
3'-8"	41 5/8"
4'-0"	45 5/8"

**PRECISION HARDWARE INC.**  
P.O. BOX 74040 ROMULUS MI. 48174-0040

DEVICE SERIES  
**1400**

TEMPLATE NO. <b>AL-1400A-E</b>	REV	RELEASE DATE <b>09-15-00</b>
-----------------------------------	-----	---------------------------------