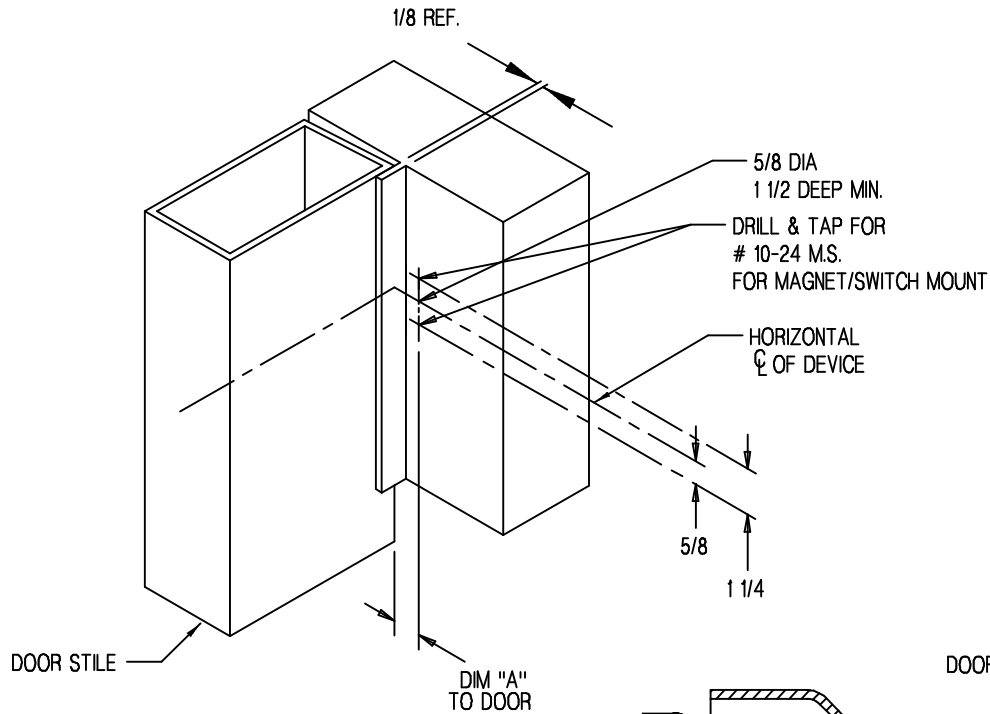
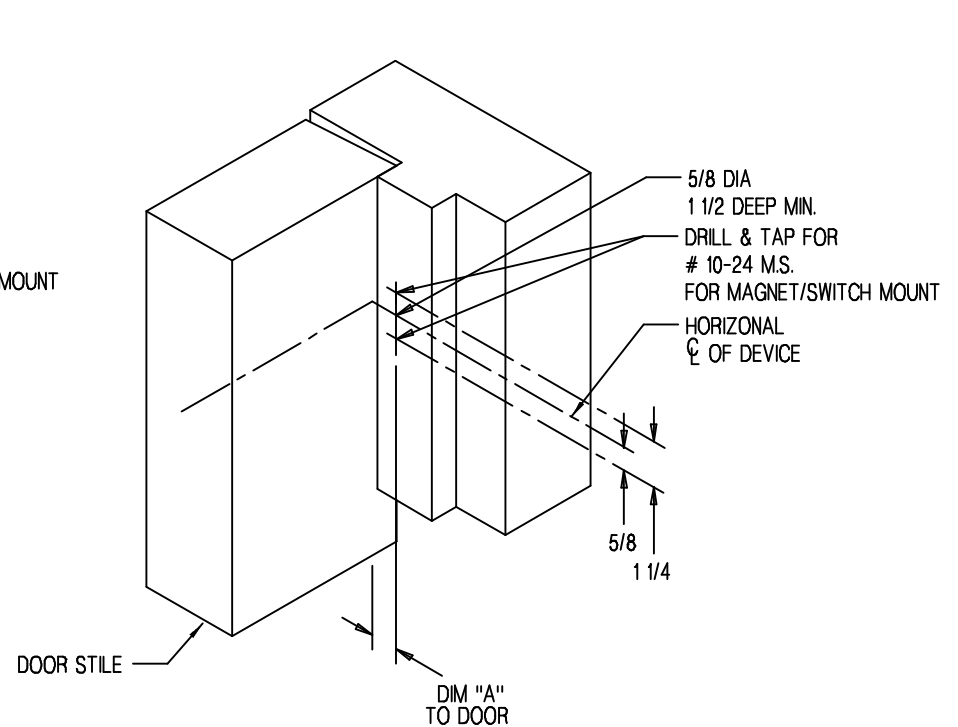


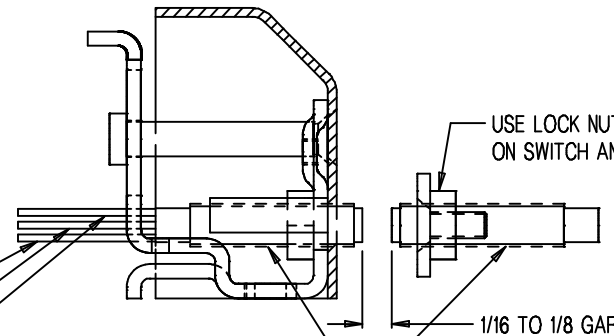
**ALUMINUM DOOR AND
FRAME WITH BLADE STOP**



**HOLLOW METAL
DOOR AND FRAME**



FIELD WIRING BY OTHERS:
BLACK (NORMALLY OPEN)
WHITE (COMMON)
BLUE (NORMALLY CLOSED)



FOR END CAP MOUNTING
SEE DEVICE TEMPLATE

DIMENSION "A" SCHEDULE		
DEVICE TYPE	ALUMINUM	HOLLOW METAL
STANDARD APEX	17/32 INCH	17/32 INCH
NARROW APEX	1/2 INCH	13/32 INCH

SWITCH AND MAGNET MAY BE REVERSED
IF FRAME WIRING IS DESIRED

<i>PRECISION HARDWARE INC.</i>	
P.O. BOX 74040	ROMULUS MI. 48174-0040
DEVICE SERIES	
DS-170 DOOR POSITION SWITCH	
TEMPLATE NO.	RELEASE DATE
ET-1123-4	04-01-96