

APPLICATION SCHEDULE

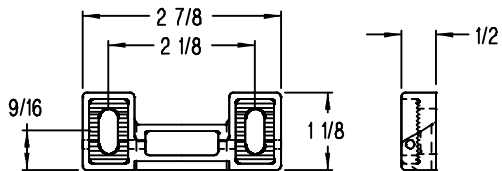
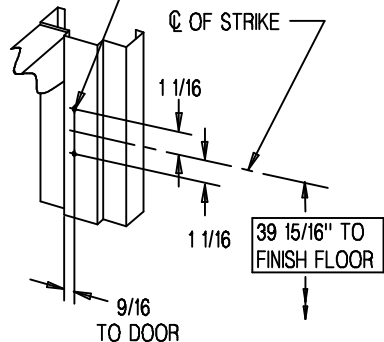
TYPE OF INSTALLATION	STRIKE NO.	BACKSET	STILE WIDTH	DIM. "X"
SINGLE DOOR W/ 5/8 STOP	1400-42	2-9/16"	4" MIN.	2-1/16"
PAIR OF DOORS W/ NO. 815 MULLION	1400-42	2-15/16"	4-3/8" MIN.	2-1/16"

HOLE DRILLING SCHEDULE

DEVICE	HOLE "B"	HOLE "C"
1101	NO	NO
1102	NO	NO
1103	YES	NO
1105		
1108	YES	YES
1110		
1105A	NO	YES
1108A		

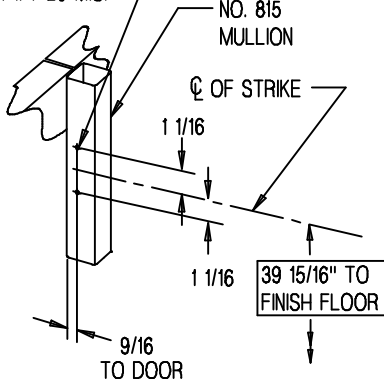
IF TRIM IS SPECIFIED  
SEE TRIM TEMPLATE  
BEFORE DRILLING  
HOLES A, B, & C

DRILL & TAP  
FOR 1/4-20 M.S.

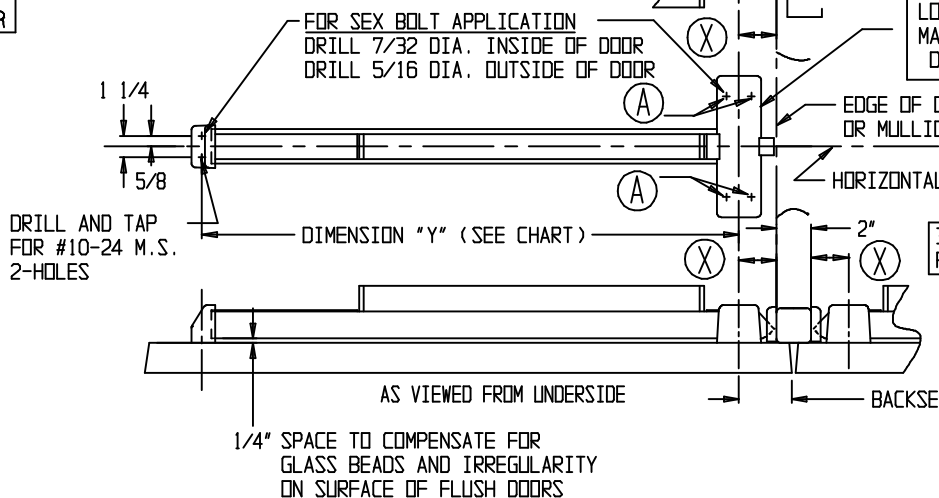


STRIKE 1400-42

DRILL & TAP  
FOR 1/4-20 M.S.



DRILL AND TAP  
FOR #10-24 M.S.  
2-HOLES



VERTICAL C

BACKSET

B - 1 3/8 DIA. INSIDE ONLY

A - 4 PLACES - DRILL & TAP FOR #10-24 M.S.

LOCK STILE MACHINING DETAIL

EDGE OF DOOR STOP OR MULLION

HORIZONTAL C

39 15/16" TO FINISH FLOOR

BACKSET

C - THRU DOOR

DEVICE ILLUSTRATED IS  
RIGHT HAND REVERSE BEVEL

FOR LEFT HAND REVERSE BEVEL,  
REVERSE STILE MACHINING

DOOR WIDTH	DIM. "Y"
2' 6"	25"
2' 8"	27"
3' 0"	31"
3' 4"	35"
3' 6"	37"
3' 8"	39"
4' 0"	43"

**PRECISION HARDWARE INC.**  
P.O. BOX 74040      ROMULUS MI. 48174-0040

DEVICE SERIES  
**1100**

TEMPLATE NO. <b>HM-1100A-D</b>	REV	RELEASE DATE <b>10-15-00</b>
-----------------------------------	-----	---------------------------------