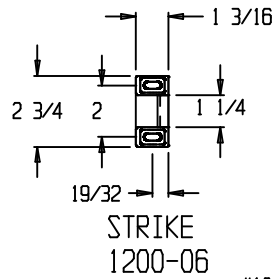


HOLE DRILLING SCHEDULE		
DEVICE	HOLE "B"	HOLE "C"
1201, FL-1201	NO	NO
1202, FL-1202	NO	NO
1203, FL-1203	YES	NO
1205, FL-1205	YES	YES
1208, FL-1208	YES	YES
1205A, FL-1205A	NO	YES
1208A, FL-1208A	NO	YES



IF TRIM IS SPECIFIED
SEE TRIM TEMPLATE
BEFORE DRILLING
HOLES A, B, & C

DRILL AND TAP
FOR #10-24 M.S.
2-HOLES

FOR SEX BOLT APPLICATION
DRILL 7/32 DIA. INSIDE OF DOOR
DRILL 5/16 DIA. OUTSIDE OF DOOR

LOCK STILE
MACHINING
DETAIL

2 3/4 OR CENTERED ON
EXPOSED LOCK STILE

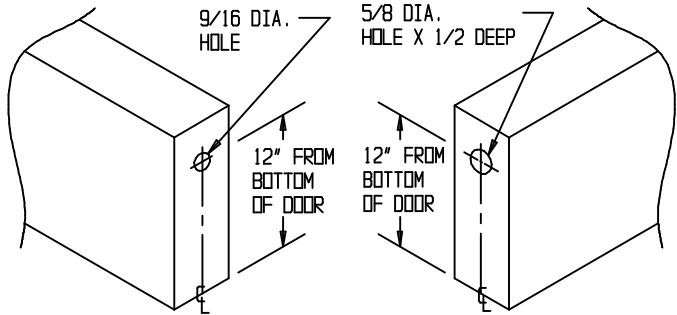
LOCK CASE

DOOR EDGE

39 15/16" TO
FINISH FLOOR

9/16 DIA HOLE
X 1-3/4 DEEP MIN

FINISHED FLOOR



FIRE BOLT
INSTALLATION
FOR FIRE RATED
DEVICES ONLY

FL-1200 FIRE EXIT DEVICE INSTALLATION
PROVIDE ADEQUATE REINFORCEMENT FOR METAL
COVERED COMPOSITE AND HOLLOW METAL DOORS FOR
THE DRILLING AND TAPPING FOR MACHINE SCREWS.
PLASTIC AND WOOD COVERED COMPOSITE OR METAL
COVERED COMPOSITE AND HOLLOW METAL FIRE DOORS
WITHOUT REINFORCEMENT, SEX BOLTS ARE REQUIRED.

DEVICE ILLUSTRATED IS
RIGHT HAND REVERSE BEVEL
FOR LEFT HAND REVERSE BEVEL,
REVERSE STILE MACHINING

DOOR OPENING WIDTH	DIM. "Y"
2' 6"	25"
2' 8"	27"
3' 0"	31"
3' 4"	35"
3' 6"	37"
3' 8"	39"
4' 0"	43"

PRECISION HARDWARE INC.
P.O. BOX 74040 ROMULUS MI. 48174-0040

DEVICE SERIES
1200-LBR, FL-1200-LBR

TEMPLATE NO. HM-1200-LBR-A	REV	RELEASE DATE 11-01-00
-------------------------------	-----	--------------------------

