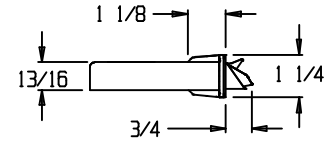


**FL-1300 FIRE EXIT DEVICE INSTALLATION**

PROVIDE ADEQUATE REINFORCEMENT FOR METAL COVERED COMPOSITE AND HOLLOW METAL DOORS FOR THE DRILLING AND TAPPING FOR MACHINE SCREWS.  
 PLASTIC AND WOOD COVERED COMPOSITE OR METAL COVERED COMPOSITE AND HOLLOW METAL FIRE DOORS WITHOUT REINFORCEMENT, SEX BOLTS ARE REQUIRED.

HOLE DRILLING SCHEDULE	
DEVICE	HOLE "C"
1301, 1302 1303	INSIDE ONLY
1305, 1305A 1308, 1308A	THRU DOOR

(A) - 4 PLACES  
 - DRILL & TAP FOR #10-24 M.S.

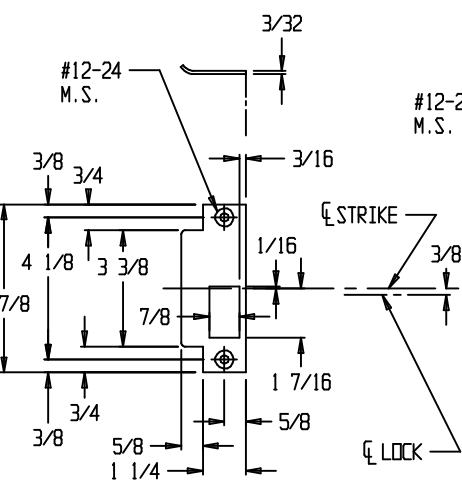
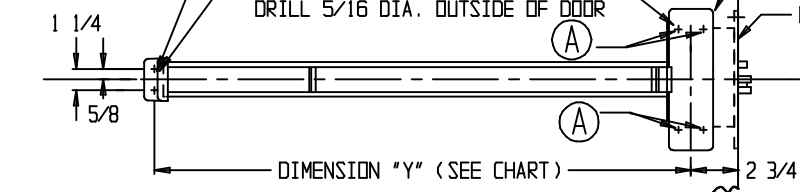


DRILL & TAP FOR #10-24 M.S. 2-HOLES

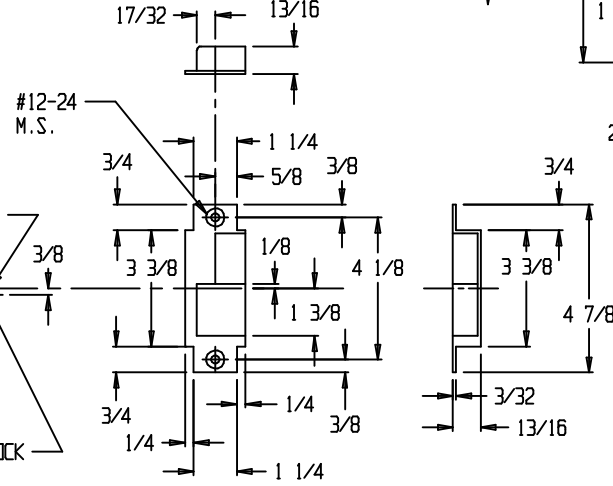
FOR SEX BOLT APPLICATION  
 DRILL 7/32 DIA. INSIDE OF DOOR  
 DRILL 5/16 DIA. OUTSIDE OF DOOR

LOCK STILE MACHINING DETAIL

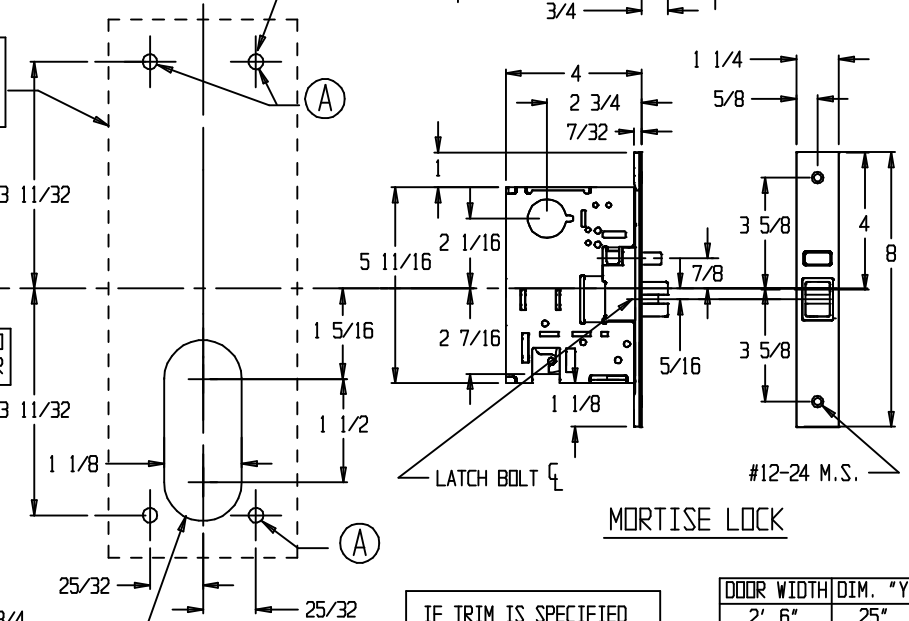
39 15/16" TO FINISH FLOOR



1 1/4 STRIKE PN 310-55



OPEN BACK STRIKE PN 310-58



MORTISE LOCK

IF TRIM IS SPECIFIED  
 SEE TRIM TEMPLATE  
 BEFORE DRILLING  
 HOLES A, & C

DOOR WIDTH DIM. "Y"	
2' 6"	25"
2' 8"	27"
3' 0"	31"
3' 4"	35"
3' 6"	37"
3' 8"	39"
4' 0"	43"

DEVICE ILLUSTRATED IS  
 RIGHT HAND REVERSE BEVEL  
 FOR LEFT HAND REVERSE BEVEL,  
 REVERSE STILE MACHINING

**PRECISION HARDWARE INC.**  
 P.O. BOX 74040      ROMULUS MI. 48174-0040

DEVICE SERIES  
**1300**

TEMPLATE NO.      REV      RELEASE DATE  
**HM-1300-B**           **01-01-98**