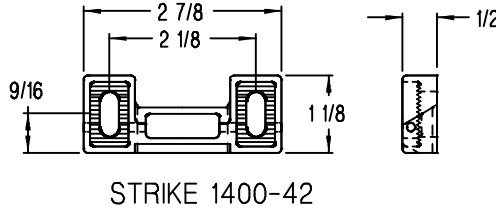
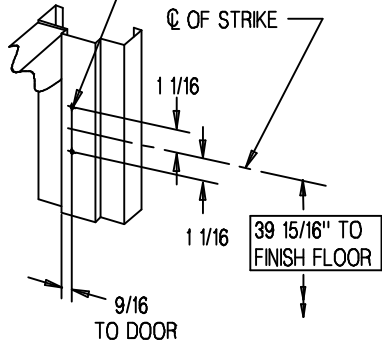


APPLICATION SCHEDULE			
TYPE OF INSTALLATION	STRIKE NO.	BACKSET	STILE WIDTH
SINGLE DOOR WITH 5/8 STOP	1400-42	1 11/16"	3" MIN.
PAIR OF DOORS W/ NO. 815 MULLION	1400-42	2 1/8"	3" MIN.

HOLE DRILLING SCHEDULE	
DEVICE	"B1" & "B2"
1401	NO
1402	NO
1403 x LESS TRIM	YES
1403 (29 TRIM)	SEE TRIM TEMPLATE AL-T29-3
1408,1408A (29 TRIM)	SEE TRIM TEMPLATE AL-T29-8

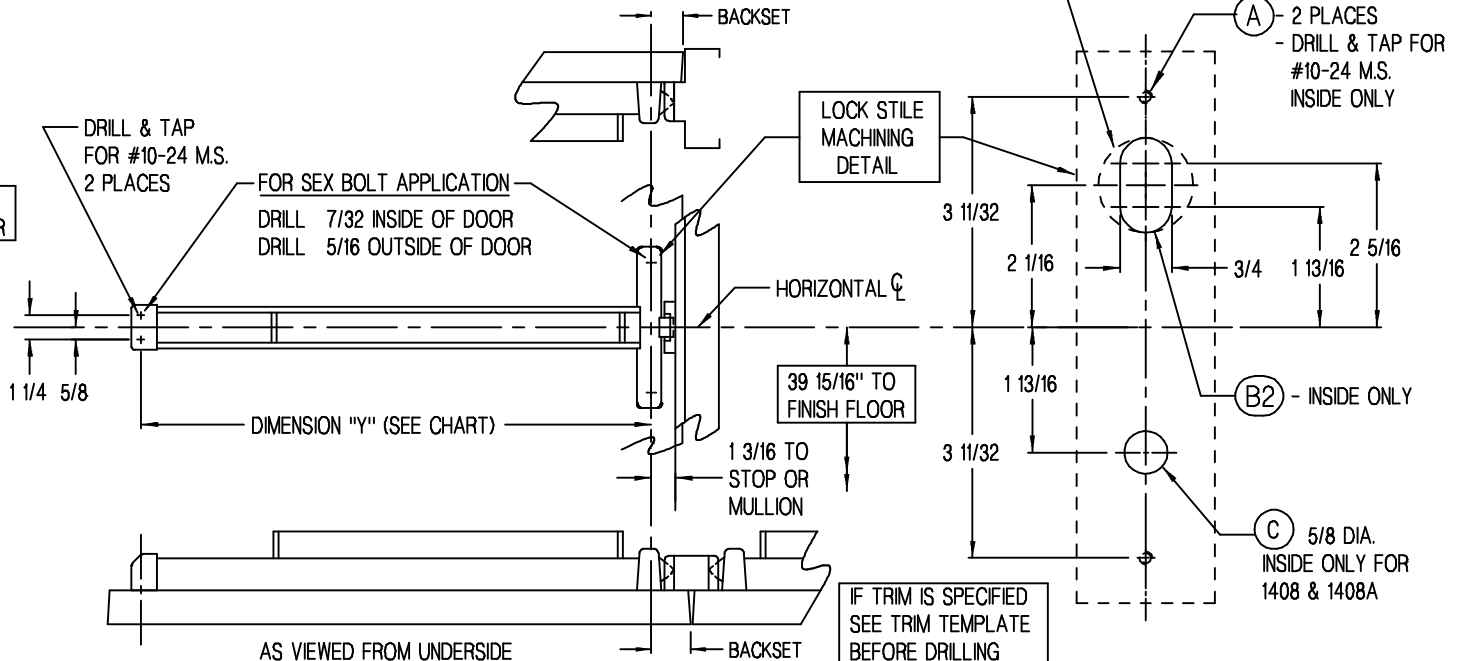


DRILL & TAP FOR 1/4-20 M.S.



STRIKE 1400-42

(B1) - 1 1/4 DIA. OUTSIDE DOOR

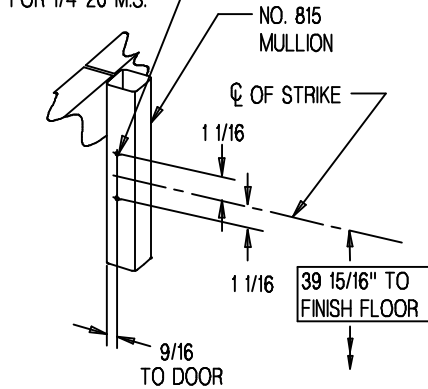


(A) - 2 PLACES - DRILL & TAP FOR #10-24 M.S. INSIDE ONLY

(B2) - INSIDE ONLY

(C) 5/8 DIA. INSIDE ONLY FOR 1408 & 1408A

DRILL & TAP FOR 1/4-20 M.S.



AS VIEWED FROM UNDERSIDE

IF TRIM IS SPECIFIED SEE TRIM TEMPLATE BEFORE DRILLING HOLES A, B, & C

DEVICE ILLUSTRATED IS RIGHT HAND REVERSE BEVEL

FOR LEFT HAND REVERSE BEVEL, REVERSE STILE MACHINING

DOOR OPENING WIDTH	DIM "Y"
2'-6"	26 3/8"
2'-8"	28 3/8"
3'-0"	32 3/8"
3'-4"	36 3/8"
3'-6"	38 3/8"
3'-8"	40 3/8"
4'-0"	44 3/8"

**PRECISION HARDWARE INC.**  
P.O. BOX 74040 ROMULUS MI. 48174-0040  
DEVICE SERIES 1400  
TEMPLATE NO. HM-1400-F REV RELEASE DATE 09-15-00