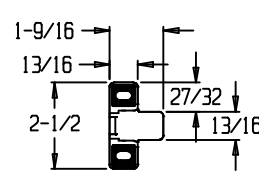
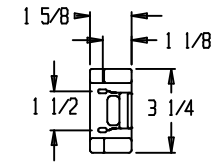


APPLICATION SCHEDULE				
TYPE OF INSTALLATION	STRIKE NO.	BACKSET	STILE WIDTH	DIM. "X"
SINGLE DOOR W/ 5/8 STOP	100-78	2-3/4"	4-1/4" MIN.	2-1/4"
PAIR WITH FL-822 MULLION	100-78	3-1/8"	4-5/8" MIN.	2-1/4"

HOLE DRILLING SCHEDULE		
DEVICE	HOLE "B"	HOLE "C"
FL-1101	NO	NO
FL-1102	YES	NO
FL-1103	YES	NO
FL-1105	YES	YES
FL-1108	YES	YES
FL-1110	YES	YES
FL-1105A	NO	YES
FL-1108A	NO	YES

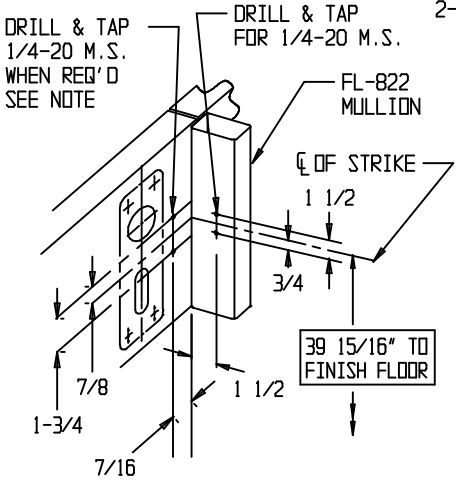
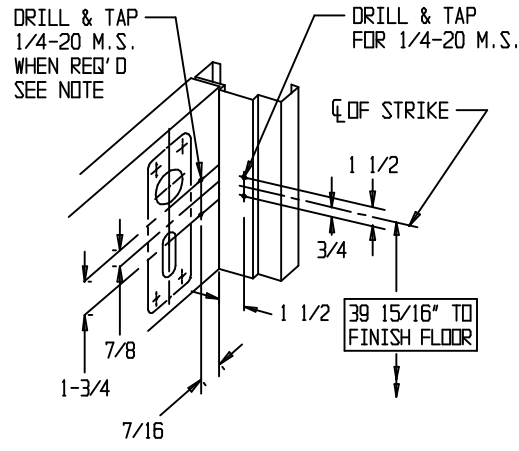


INTERLOCK ANGLE 100-94

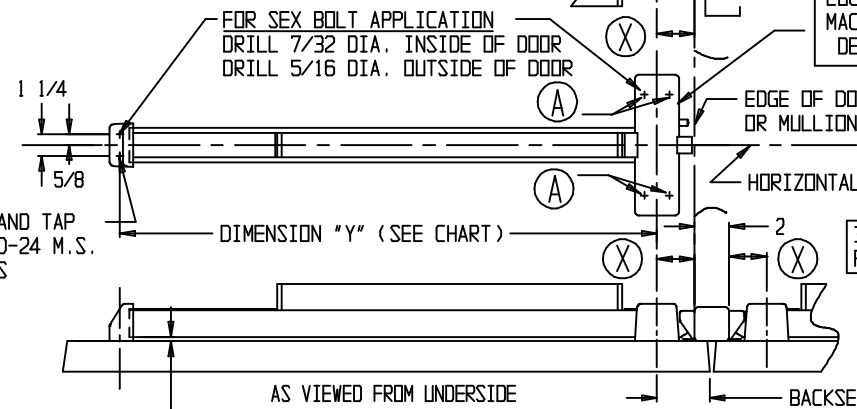


STRIKE 100-78

IF TRIM IS SPECIFIED  
SEE TRIM TEMPLATE  
BEFORE DRILLING  
HOLES A, B, & C



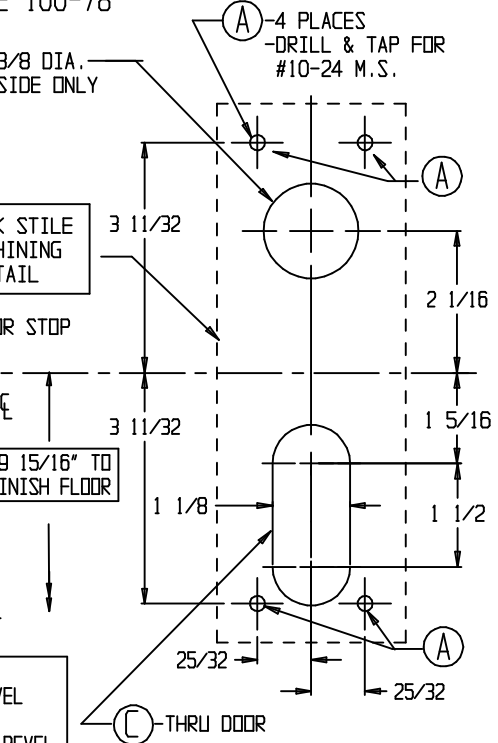
NOTE: FOR 3 HOUR RATED PAIRS OF DOORS  
OR 3 HOUR SINGLE DOOR OVER 8' FEET HIGH,  
MARK CENTERS AND DRILL ADDITIONAL  
SCREW HOLES IN FACE OF DOOR FOR  
MOUNTING INTERLOCK ANGLE 100-94.



FOR SEX BOLT APPLICATION  
DRILL 7/32 DIA. INSIDE OF DOOR  
DRILL 5/16 DIA. OUTSIDE OF DOOR

**FL-1100 FIRE EXIT DEVICE INSTALLATION**  
PROVIDE ADEQUATE REINFORCEMENT FOR METAL  
COVERED COMPOSITE AND HOLLOW METAL DOORS FOR  
THE DRILLING AND TAPPING FOR MACHINE SCREWS.  
PLASTIC AND WOOD COVERED COMPOSITE OR METAL  
COVERED COMPOSITE AND HOLLOW METAL FIRE DOORS  
WITHOUT REINFORCEMENT, SEX BOLTS ARE REQUIRED.

DOOR WIDTH	DIM. "Y"
2' 6"	25"
2' 8"	27"
3' 0"	31"
3' 4"	35"
3' 6"	37"
3' 8"	39"
4' 0"	43"



DEVICE ILLUSTRATED IS  
RIGHT HAND REVERSE BEVEL  
FOR LEFT HAND REVERSE BEVEL,  
REVERSE STILE MACHINING

**PRECISION HARDWARE INC.**  
P.O. BOX 74040 ROMULUS MI. 48174-0040

DEVICE SERIES  
**FL-1100**

TEMPLATE NO. <b>HM-FL1100-E</b>	REV	RELEASE DATE <b>10-15-00</b>
------------------------------------	-----	---------------------------------