

**REINFORCEMENT REQUIREMENTS**

PROVIDE ADEQUATE REINFORCEMENT TO METAL COVERED COMPOSITE AND HOLLOW METAL DOORS FOR THE DRILLING AND TAPPING FOR THE MACHINE SCREWS.

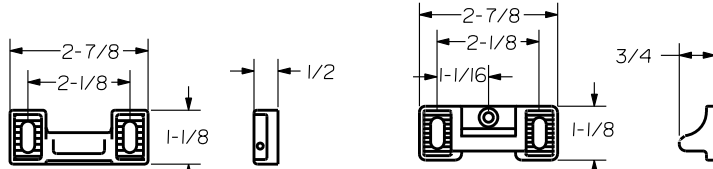
**SEX NUTS AND BOLTS**

SEX BOLTS ARE REQUIRED FOR PLASTIC, WOOD, METAL COVERED COMPOSITE AND HOLLOW METAL DOORS WITHOUT REINFORCEMENT

**SEX BOLT MACHINING**

DRILL 1/4 DIA. INSIDE  
DRILL 5/16 DIA. OUTSIDE

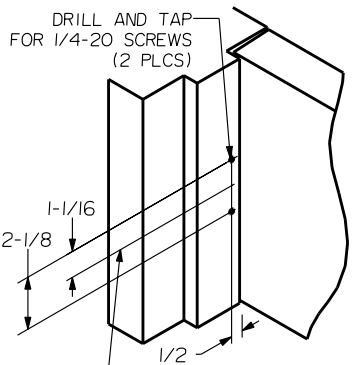
NOTE:  
"LETTER" AT END OF TRIM MODEL NO. DESIGNATES LEVER OR GRIP STYLE. EXCEPT AS NOTED, LEVER OR GRIP STYLE HAS NO EFFECT ON STILE MACHINING.



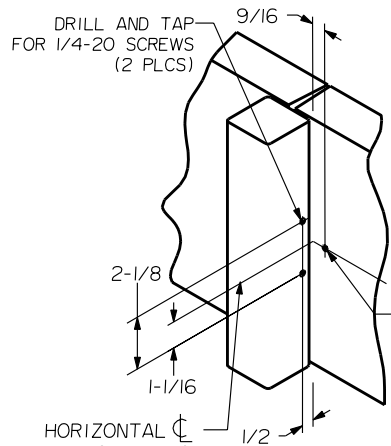
ROLLER STRIKE S458 (OPTIONAL)

STRIKE S300 (STANDARD)  
ROLLER STRIKE S30I (OPTIONAL)

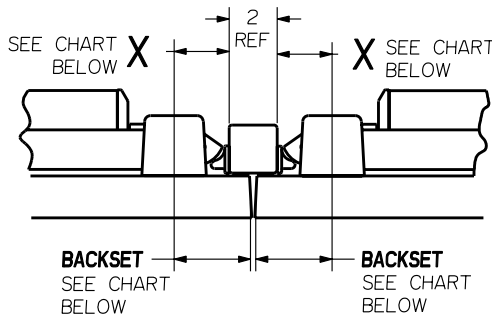
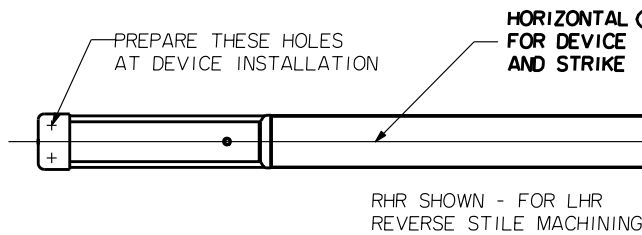
HOLE (4) PLS <b>A</b>	DEVICES	TRIMS	HOLE <b>B</b>	HOLE <b>C</b>
#10-24 TAP INSIDE ONLY	2103.FL2103 X EXIT ONLY	NONE	NO	NO
	2103.FL2103 X CYL ONLY		1-3/8 DIA INSIDE 1-3/16 DIA OUTSIDE	
1/4 DIA INSIDE 13/32 DIA OUTSIDE	2103.FL2103	1701,3901	NO	1-3/4 DIA THRU DOOR
		1702,3902	NO	
		1703,3903	NO	
	E2103.FLE2103	1705	1-3/8 DIA THRU DOOR	
	2108.FL2108	3908,V3908	NO	
	2110.FL2110			
	2108.FL2108	1715,3914	NO	



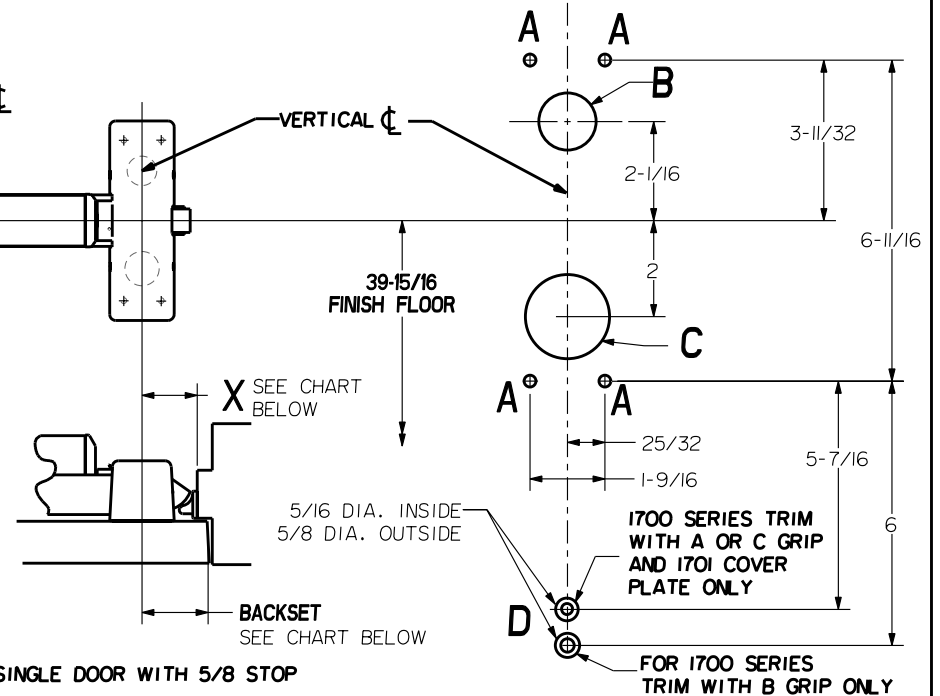
SINGLE DOOR WITH 5/8 STOP



PAIR OF DOORS WITH 811 OR 822 MULLION



PAIR OF DOORS WITH 811 OR 822 MULLION



SINGLE DOOR WITH 5/8 STOP

**LOCK STILE MACHINING**

**PRECISION HARDWARE INC.**  
WWW.PRECISIONHARDWARE.COM

STRIKE	APPLICATION	BACKSET	MIN. STILE	DIM X
S300 S30I	SINGLE DOOR	2-3/4	4-1/4	2-1/4
	PAIR OF DOORS	3-1/8	4-5/8	
S458	SINGLE DOOR	2-9/16	4	2-1/16
	PAIR OF DOORS	2-15/16	4-3/8	

DEVICE SERIES		TRIM SERIES	
2100, FL2100		EXIT ONLY, CYL ONLY, 1700,3900	
STRIKE NO.	RELEASED DATE	TEMPLATE NO.	REV
S300, S30I, S458	04/01/03	HM-2100A	A