

REINFORCEMENT REQUIREMENTS

PROVIDE ADEQUATE REINFORCEMENT TO METAL COVERED COMPOSITE AND HOLLOW METAL DOORS FOR THE DRILLING AND TAPPING FOR THE MACHINE SCREWS.

SEX NUTS AND BOLTS

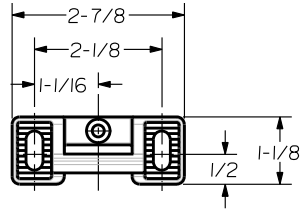
SEX BOLTS ARE REQUIRED FOR PLASTIC, WOOD, METAL COVERED COMPOSITE AND HOLLOW METAL DOORS WITHOUT REINFORCEMENT

SEX BOLT MACHINING

DRILL 1/4 DIA. INSIDE
DRILL 5/16 DIA. OUTSIDE

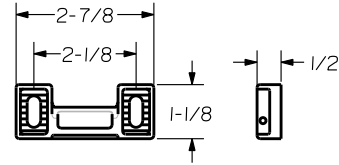
NOTE: FITS STOCK DOORS WITH ANSI A115.17 (161) AND ANSI A115.18 CUT-OUTS, REQUIRE TRIM THRU BOLT HOLES AT DEVICE INSTALLATION.

DEVICES	TRIMS	HOLE A (2) PLS	HOLE B
51, FL51	808	5/16 DIA THRU DOOR	1" DIA. THRU DOOR
	814		

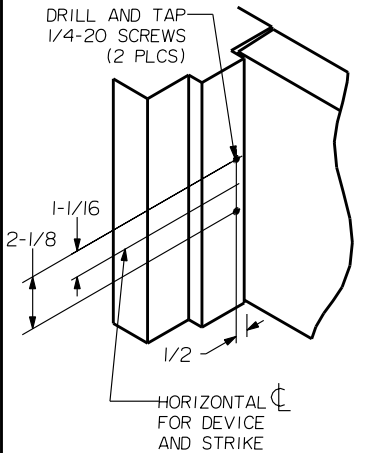


STRIKE S300 (STANDARD)

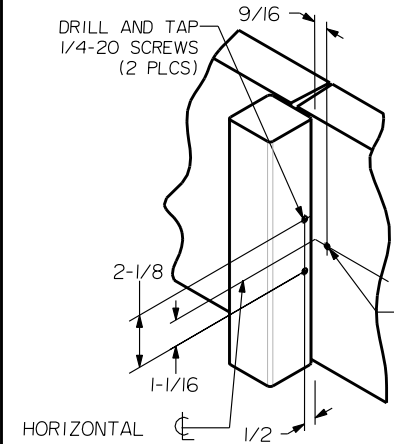
ROLLER STRIKE S301 (OPTIONAL)



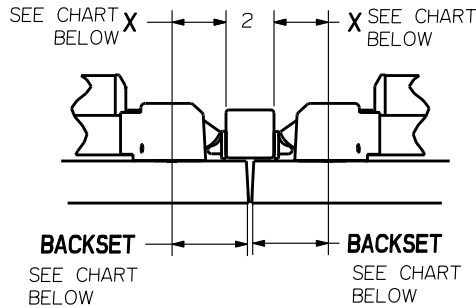
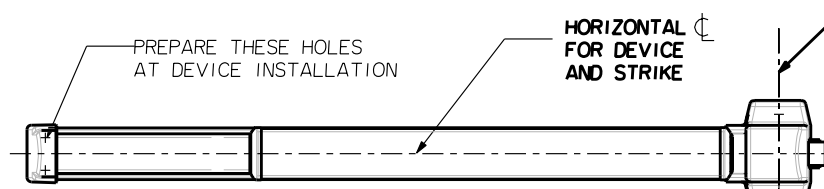
ROLLER STRIKE S458 (OPTIONAL)



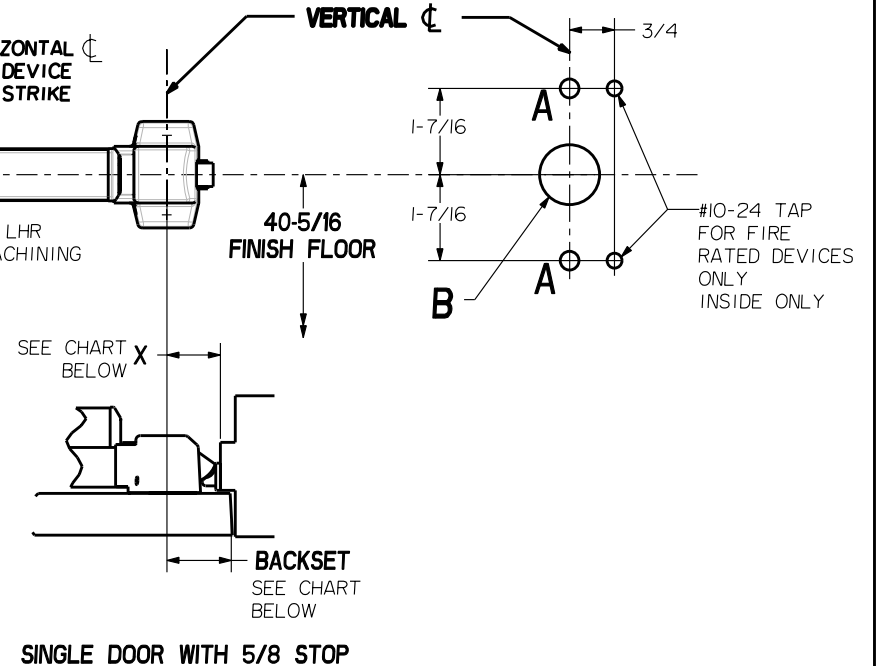
SINGLE DOOR WITH 5/8 STOP



PAIR OF DOORS WITH 811 OR 822 MULLION



PAIR OF DOORS WITH 811 OR 822 MULLION



SINGLE DOOR WITH 5/8 STOP

LOCK STILE MACHINING

1/4-20 TAP FOR INTERLOCK ANGLE WITH S300, S301 STRIKES (FIRE EXIT DEVICES ONLY)

STRIKE	APPLICATION	BACKSET	MIN. STILE	DIM X
S300 S301	SINGLE DOOR	2-3/4	4-1/2	2-1/4
	PAIR OF DOORS	3-1/8	4-7/8	
S458	SINGLE DOOR	2-9/16	4-1/4	2-1/16
	PAIR OF DOORS	2-15/16	4-5/8	

PRECISION HARDWARE INC. WWW.PRECISIONHARDWARE.COM			
DEVICE SERIES		TRIM SERIES	
51, FL51		808,814	
STRIKE NO.	RELEASED DATE	TEMPLATE NO.	REV
S300, S301, S458	04/01/03	HM-51B	A