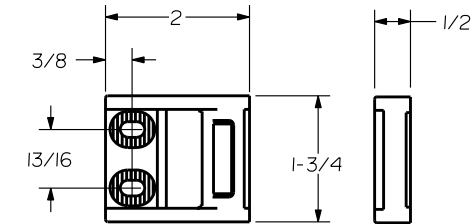
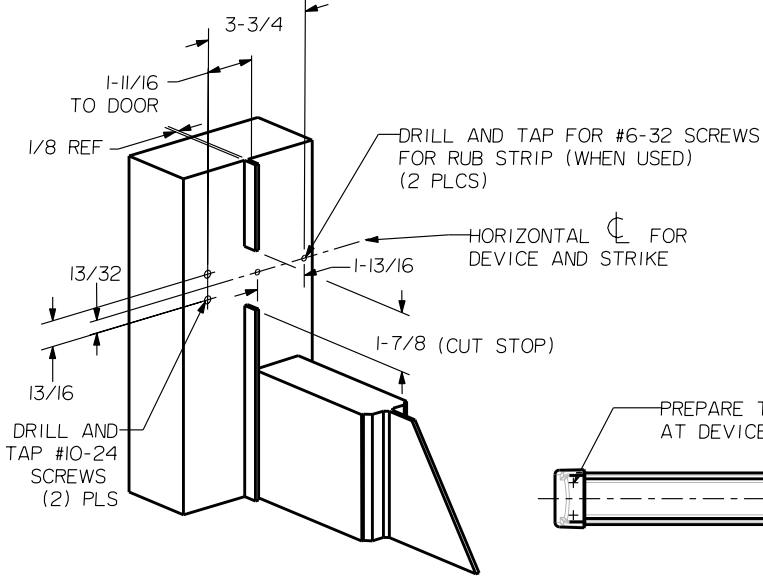
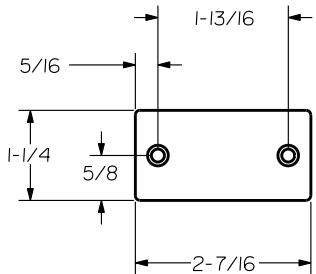


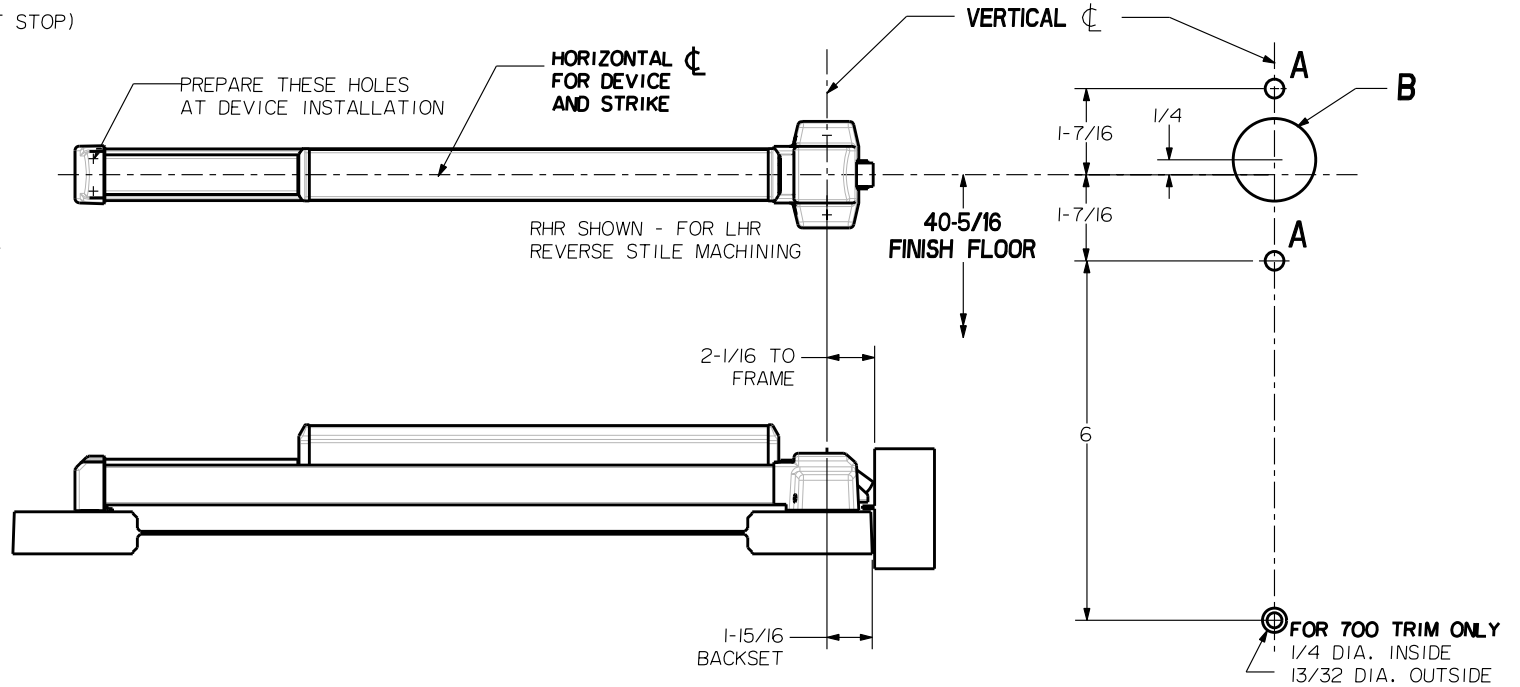
SEX BOLT MACHINING
 DRILL 1/4 DIA. INSIDE
 DRILL 5/16 DIA. OUTSIDE



ROLLER STRIKE S988 (STANDARD)



RUB STRIP S454 (STANDARD)



DEVICES	TRIMS	HOLE A (2) PLS	HOLE B
51	EXIT ONLY	#10-24 TAP INSIDE ONLY	NO
	CYL ONLY		1-3/16 DIA. OUTSIDE 1-3/8 DIA. INSIDE
	501	5/16 DIA. THRU	NO
	602		1-3/8 DIA THRU
	603		NO
	702		1-3/8 DIA THRU
703		1-3/8 DIA THRU	

LOCK STILE MACHINING

ALUMINUM DOOR AND FRAME WITH BLADE OR APPLIED STOP

MIN. STILES	DEVICE SIZE	DOOR WIDTH
3-3/4"	3'-0"	2'-6" TO 2'-11"
	4'-0"	3'-0" TO 3'-11"
4-1/4 OR FLUSH DOOR	3'-0"	2'-7" TO 3'-0"
	4'-0"	3'-1" TO 4'-0"

PRECISION HARDWARE INC.
 WWW.PRECISIONHARDWARE.COM

DEVICE SERIES		TRIM SERIES	
51		EXIT ONLY, CYL ONLY 501, 602, 603, 702, 703	
STRIKE NO.	RELEASED DATE	TEMPLATE NO.	REV
S988	04/01/03	AL-51A	A