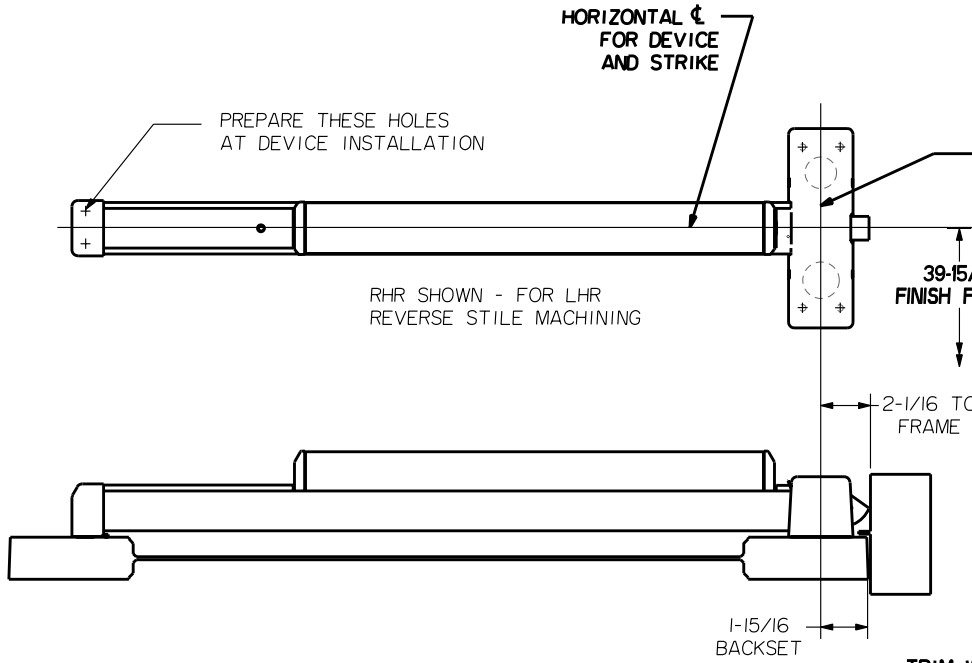
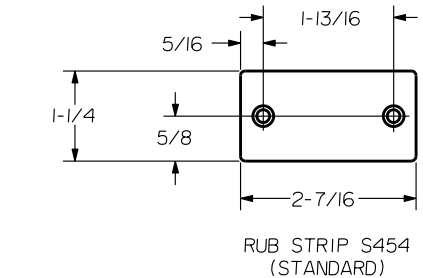
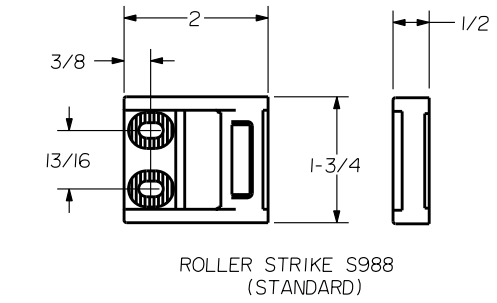
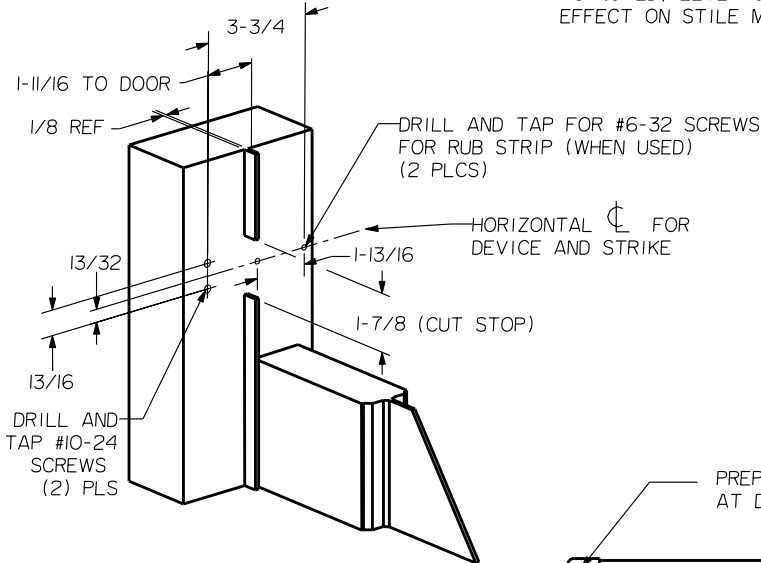
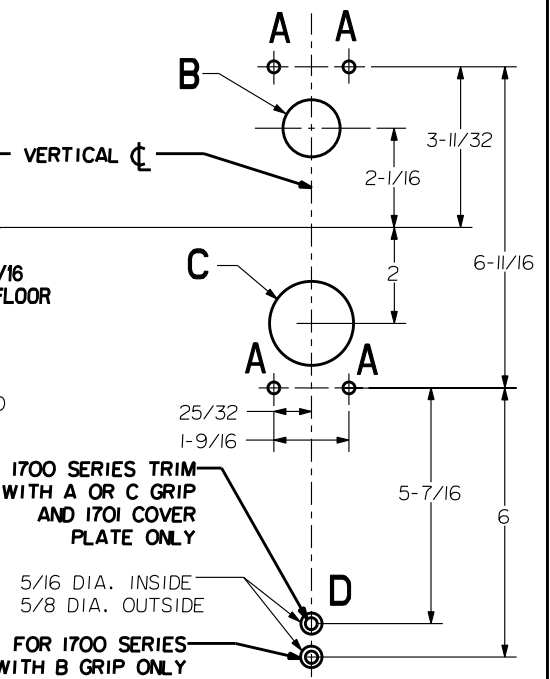


**SEX BOLT MACHINING**  
 DRILL 1/4 DIA. INSIDE  
 DRILL 5/16 DIA. OUTSIDE

NOTE: "LETTER" AT END OF TRIM MODEL NO. DESIGNATES LEVER OR GRIP STYLE. EXCEPT AS NOTED, LEVER OR GRIP STYLE HAS NO EFFECT ON STILE MACHINING.



**LOCK STILE MACHINING**



| HOLE (4) PLS                        | A     | DEVICES     | TRIMS               | HOLE B                                   | HOLE C               |
|-------------------------------------|-------|-------------|---------------------|------------------------------------------|----------------------|
| #10-24 TAP INSIDE ONLY              | 2103  | X EXIT ONLY | NONE                | NO                                       | NO                   |
|                                     |       | X CYL ONLY  |                     | 1-3/8 DIA. INSIDE<br>1-3/16 DIA. OUTSIDE |                      |
| 1/4 DIA INSIDE<br>13/32 DIA OUTSIDE | 2103  |             | 1701, 3901          | NO                                       | 1-3/4 DIA. THRU DOOR |
|                                     |       |             | 1702, 3902          |                                          |                      |
|                                     |       |             | 1703, 3903          |                                          |                      |
|                                     | E2103 | 1705        | 1-3/8 DIA THRU DOOR |                                          |                      |
|                                     | 2108  | 3908, V3908 |                     |                                          |                      |
|                                     | 2110  |             |                     |                                          |                      |
|                                     | 2108  |             | 1715, 3914          | NO                                       | 1-3/4 DIA. THRU DOOR |

| ALUMINUM DOOR AND FRAME WITH BLADE OR APPLIED STOP |             |                 |
|----------------------------------------------------|-------------|-----------------|
| MIN. STILES                                        | DEVICE SIZE | DOOR WIDTH      |
| 3-1/2"                                             | 3'-0"       | 2'-6" TO 2'-11" |
|                                                    | 4'-0"       | 3'-0" TO 3'-11" |
| 4-1/4 OR FLUSH DOOR                                | 3'-0"       | 2'-7" TO 3'-0"  |
|                                                    | 4'-0"       | 3'-1" TO 4'-0"  |

|                                                             |               |                                    |     |
|-------------------------------------------------------------|---------------|------------------------------------|-----|
| <b>PRECISION HARDWARE INC.</b><br>WWW.PRECISIONHARDWARE.COM |               |                                    |     |
| DEVICE SERIES                                               |               | TRIM SERIES                        |     |
| 2100                                                        |               | EXIT ONLY, CYL ONLY,<br>1700, 3900 |     |
| STRIKE NO.                                                  | RELEASED DATE | TEMPLATE NO.                       | REV |
| S988                                                        | 04/01/03      | AL-2100A                           | A   |