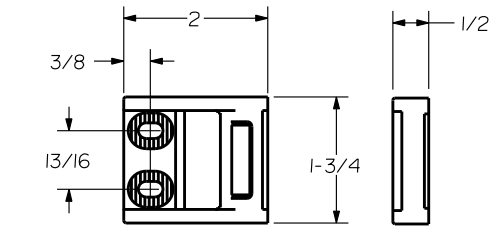
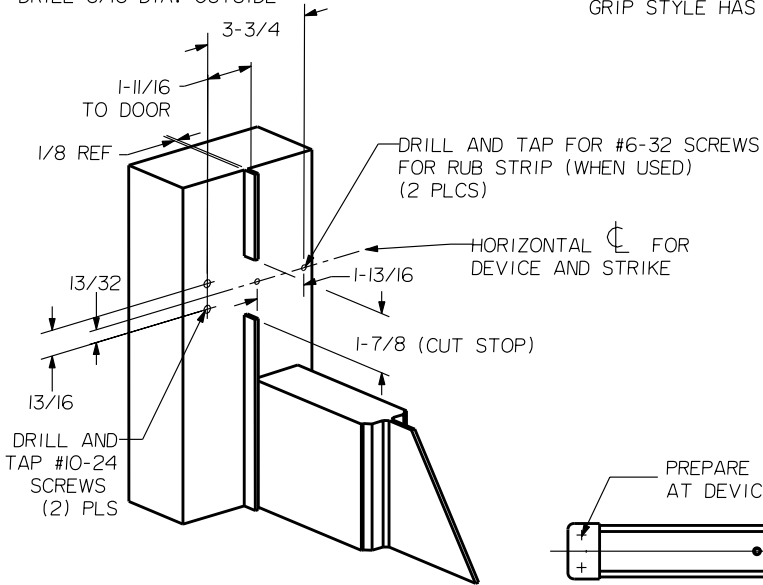


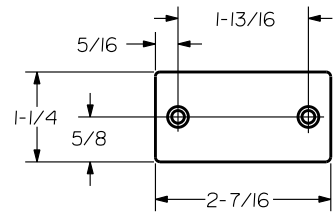
SEX BOLT MACHINING

DRILL 1/4 DIA. INSIDE
DRILL 5/16 DIA. OUTSIDE

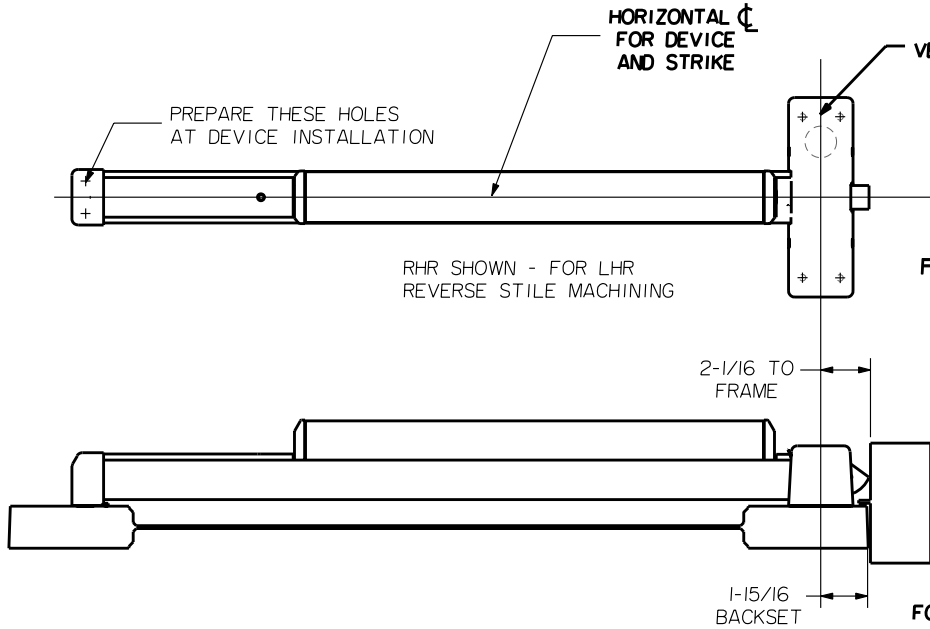
NOTE: "LETTER" AT END OF TRIM MODEL NO.
DESIGNATES GRIP STYLE. EXCEPT AS NOTED,
GRIP STYLE HAS NO EFFECT ON STILE MACHINING.



ROLLER STRIKE S988
(STANDARD)

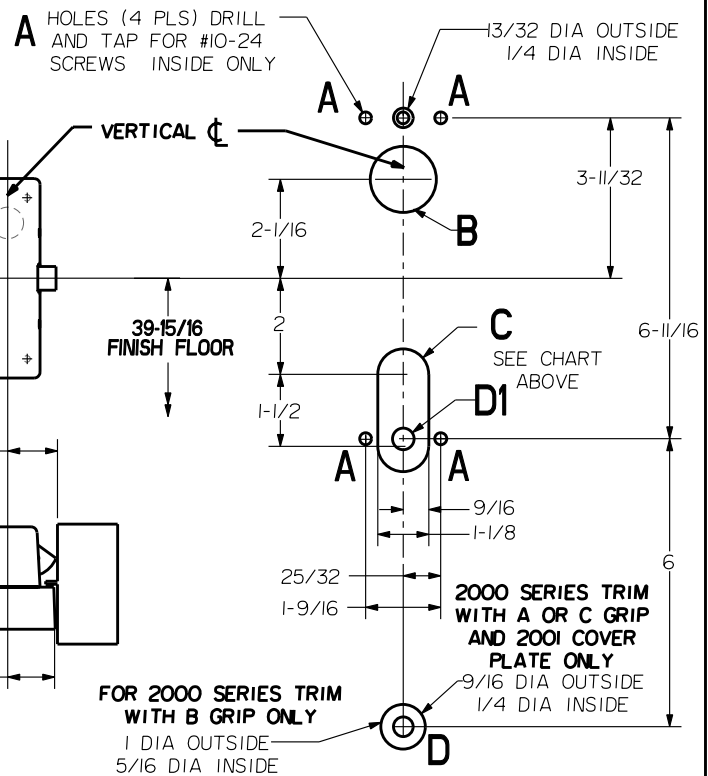


RUB STRIP S454
(STANDARD)



DEVICES	TRIMS	HOLE B 1-3/8 DIA. THRU DOOR	HOLE C THRU DOOR	D1
2103	2001	NO	NO	13/32 DIA OUTSIDE 1/4 DIA INSIDE
	2002			
	2003			
E2103	2005	YES	YES	NO
2108				
2110				
2108	2015	NO		

LOCK STILE MACHINING



ALUMINUM DOOR AND FRAME WITH BLADE OR APPLIED STOP		
MIN. STILES	DEVICE SIZE	DOOR WIDTH
3-1/2"	3'-0"	2'-6" TO 2'-11"
	4'-0"	3'-0" TO 3'-11"
4-1/4 OR FLUSH DOOR	3'-0"	2'-7" TO 3'-0"
	4'-0"	3'-1" TO 4'-0"

PRECISION HARDWARE INC.
WWW.PRECISIONHARDWARE.COM

DEVICE SERIES		TRIM SERIES	
2100		2000	
STRIKE NO.	RELEASED DATE	TEMPLATE NO.	REV
S988	04/01/03	AL-2100B	A