

REINFORCEMENT REQUIREMENTS

PROVIDE ADEQUATE REINFORCEMENT TO METAL COVERED COMPOSITE AND HOLLOW METAL DOORS FOR THE DRILLING AND TAPPING FOR THE MACHINE SCREWS.

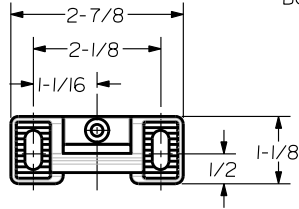
SEX NUTS AND BOLTS

SEX BOLTS ARE REQUIRED FOR PLASTIC, WOOD, METAL COVERED COMPOSITE AND HOLLOW METAL DOORS WITHOUT REINFORCEMENT

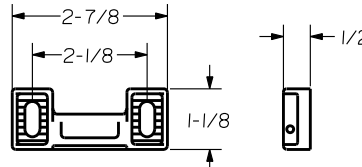
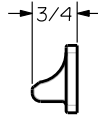
SEX BOLT MACHINING

DRILL 1/4 DIA. INSIDE
DRILL 5/16 DIA. OUTSIDE

NOTE: FITS STOCK DOORS WITH ANSI A115.17 (161) AND ANSI A115.18 CUT-OUTS, REQUIRE TRIM THRU BOLT HOLES AT DEVICE INSTALLATION.

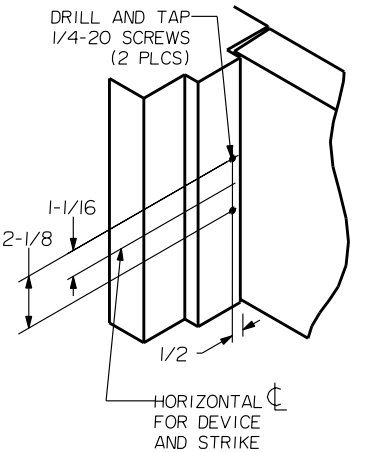


STRIKE S300 (STANDARD)
ROLLER STRIKE S301 (OPTIONAL)

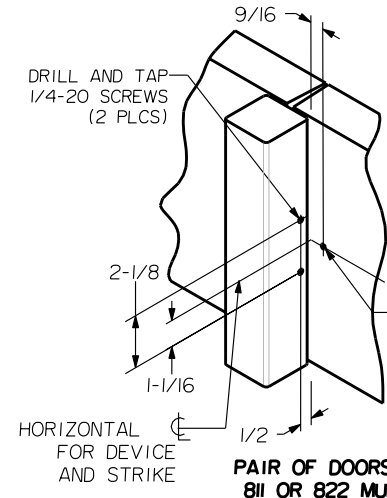


ROLLER STRIKE S458 (OPTIONAL)

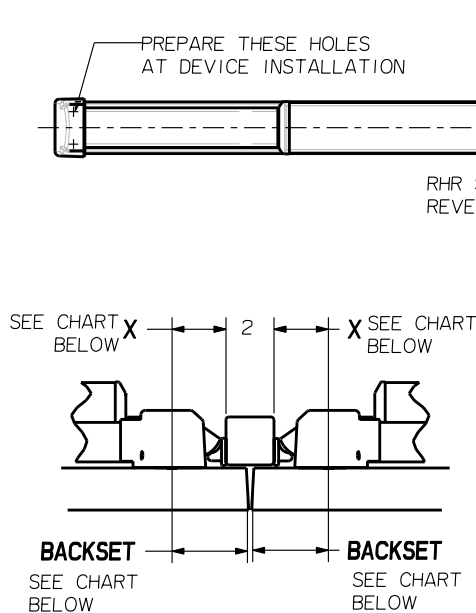
DEVICES	TRIMS	HOLE (2) PLS A	HOLE B
51, FL51	EXIT ONLY	#10-24 TAP INSIDE ONLY	NO
	CYL ONLY		1-3/16 DIA OUTSIDE 1-3/8 DIA INSIDE
	501	5/16 DIA. THRU	NO
	602		1-3/8 DIA THRU
	603		NO
	702		1-3/8 DIA THRU
703		1-3/8 DIA THRU	



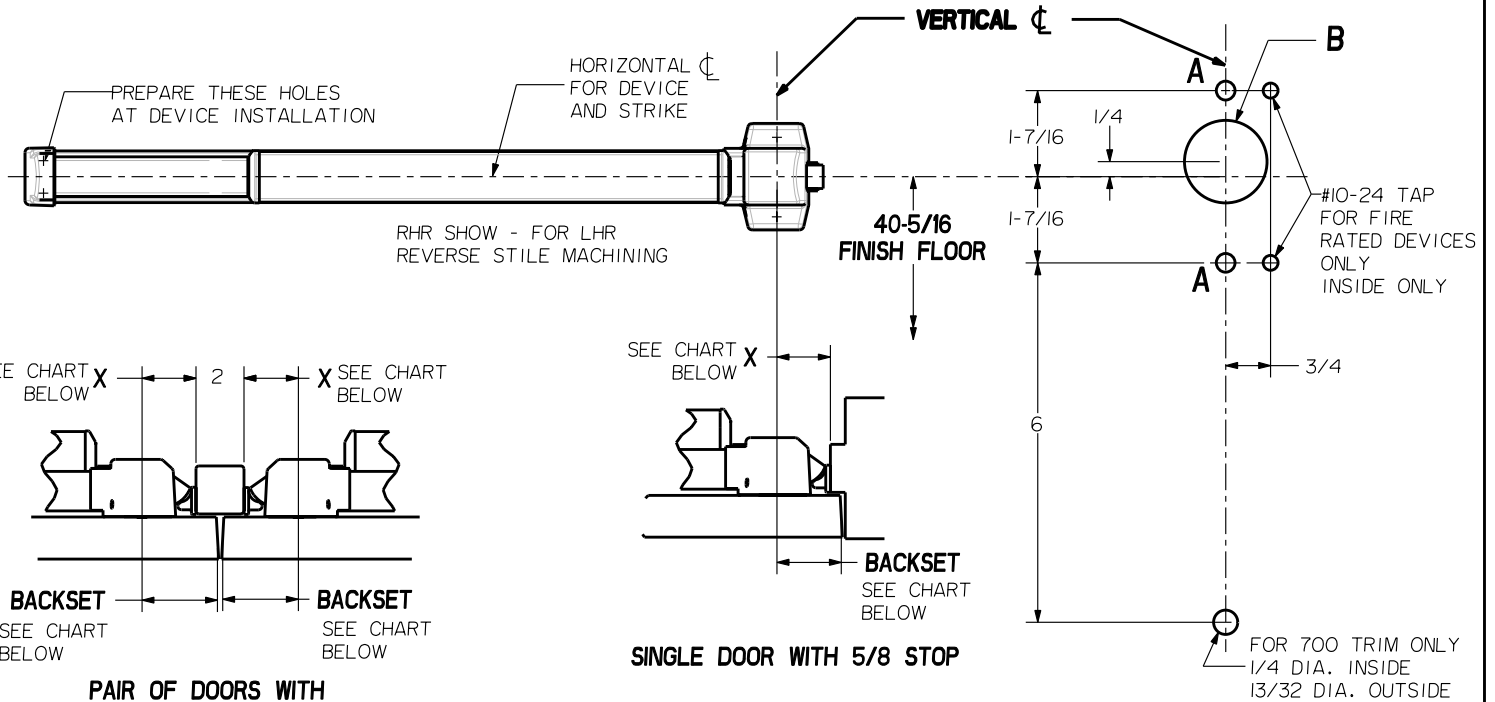
SINGLE DOOR WITH 5/8 STOP



PAIR OF DOORS WITH 811 OR 822 MULLION



PAIR OF DOORS WITH 811 OR 822 MULLION



LOCK STILE MACHINING

SINGLE DOOR WITH 5/8 STOP

STRIKE	APPLICATION	BACKSET	MIN. STILE	DIM X
S300 S301	SINGLE DOOR	2-3/4	4-1/2	2-1/4
	PAIR OF DOORS	3-1/8	4-7/8	
S458	SINGLE DOOR	2-9/16	4-1/4	2-1/16
	PAIR OF DOORS	2-15/16	4-5/8	

PRECISION HARDWARE INC. WWW.PRECISIONHARDWARE.COM			
DEVICE SERIES		TRIM SERIES	
51, FL51		EXIT ONLY, CYL ONLY 501, 602, 603, 702, 703	
STRIKE NO.	RELEASED DATE	TEMPLATE NO.	REV
S300, S301, S458	04/01/03	HM-51A	A