

REINFORCEMENT REQUIREMENTS

PROVIDE ADEQUATE REINFORCEMENT TO METAL COVERED COMPOSITE AND HOLLOW METAL DOORS FOR THE DRILLING AND TAPPING FOR THE MACHINE SCREWS.

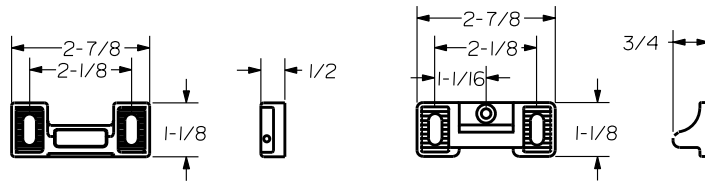
SEX NUTS AND BOLTS

SEX BOLTS ARE REQUIRED FOR PLASTIC, WOOD, METAL COVERED COMPOSITE AND HOLLOW METAL DOORS WITHOUT REINFORCEMENT

SEX BOLT MACHINING

DRILL 1/4 DIA. INSIDE
DRILL 5/16 DIA. OUTSIDE

NOTE: "LETTER" AT END OF TRIM MODEL NO. DESIGNATES GRIP STYLE. EXCEPT AS NOTED, GRIP STYLE HAS NO EFFECT ON STILE MACHINING.

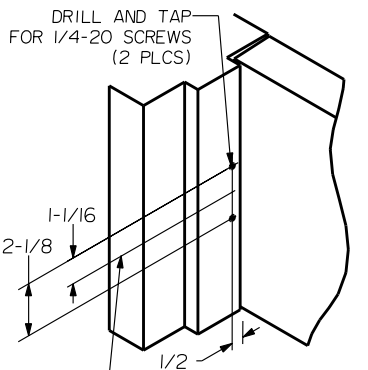


ROLLER STRIKE S458 (OPTIONAL)

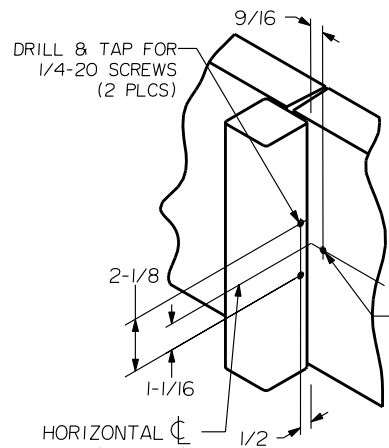
STRIKE S300 (STANDARD)
ROLLER STRIKE S301 (OPTIONAL)

| HOLE (4) PLS A | DEVICES | TRIMS | HOLE B OR B1 | HOLE C |
|-------------------------------------|---------------------|--------------------|---------------------------------------------|-----------------|
| #10-24 TAP INSIDE ONLY | 2I.FL2I X EXIT ONLY | NONE | NO | NO |
| | 2I.FL2I X CYL ONLY | | B1 1-3/16 DIA. OUTSIDE 1-3/8 DIA. INSIDE | |
| 1/4 DIA INSIDE 13/32 DIA OUTSIDE | 2I.FL2I | R1701 | NO | 1-3/4 DIA. THRU |
| | | R1702 | NO | |
| | R1703 | B1 1-3/8 DIA. THRU | | |
| | R1705 | B 1-3/8 DIA. THRU | | |
| | R21.FLR2I | R1715 | NO | |

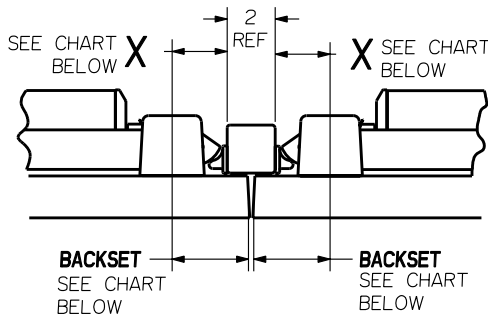
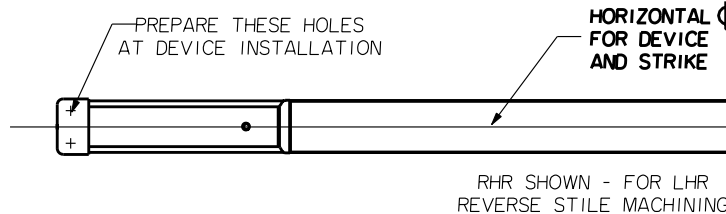
LOCK STILE MACHINING



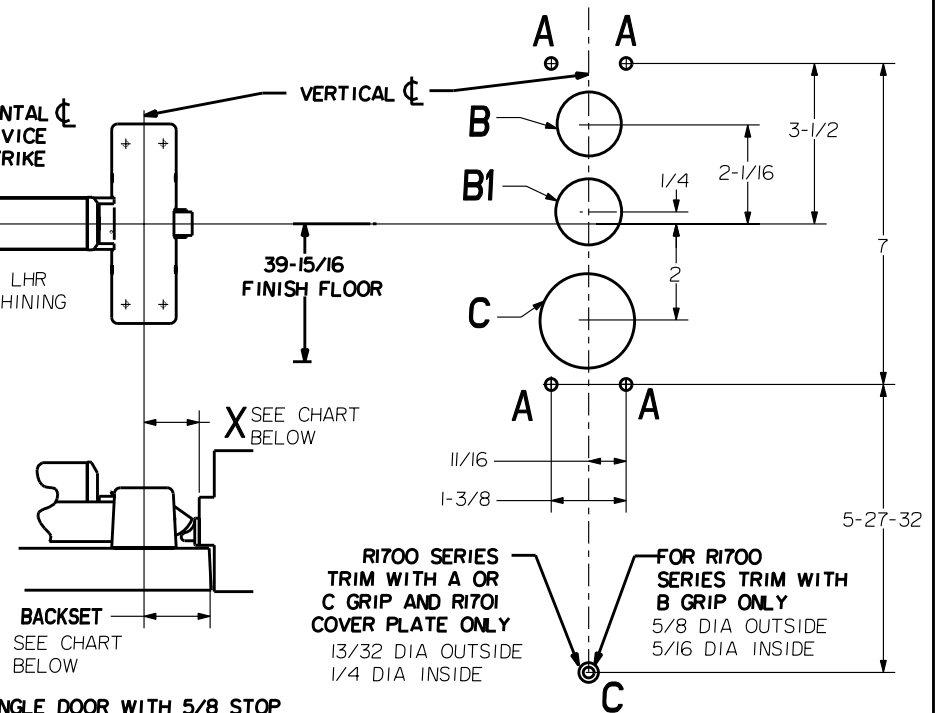
SINGLE DOOR WITH 5/8 STOP



PAIR OF DOORS WITH 811 OR 822 MULLION



PAIR OF DOORS WITH 811 OR 822 MULLION



SINGLE DOOR WITH 5/8 STOP

PRECISION HARDWARE INC.
WWW.PRECISIONHARDWARE.COM

| STRIKE | APPLICATION | BACKSET | MIN. STILE | DIM X |
|--------------|---------------|---------|------------|--------|
| S300 S301 | SINGLE DOOR | 2-3/4 | 4-1/4 | 2-1/4 |
| | PAIR OF DOORS | 3-1/8 | 4-5/8 | |
| S458 | SINGLE DOOR | 2-9/16 | 4 | 2-1/16 |
| | PAIR OF DOORS | 2-15/16 | 4-3/8 | |

| DEVICE SERIES | | TRIM SERIES | |
|----------------------|---------------|------------------------------|-----|
| 2I, FL2I, R2I, FLR2I | | EXIT ONLY, CYL ONLY R1700 | |
| STRIKE NO. | RELEASED DATE | TEMPLATE NO. | REV |
| S300, S301, S458 | 04/01/03 | HM-2IA | A |