

REINFORCEMENT REQUIREMENTS

PROVIDE ADEQUATE REINFORCEMENT TO METAL COVERED COMPOSITE AND HOLLOW METAL DOORS FOR THE DRILLING AND TAPPING OF THE MACHINE SCREWS.

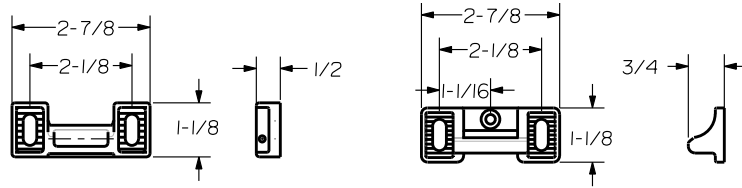
SEX NUTS AND BOLTS

SEX BOLTS ARE REQUIRED FOR PLASTIC, WOOD, METAL COVERED COMPOSITE AND HOLLOW METAL DOORS WITHOUT REINFORCEMENT

SEX BOLT MACHINING

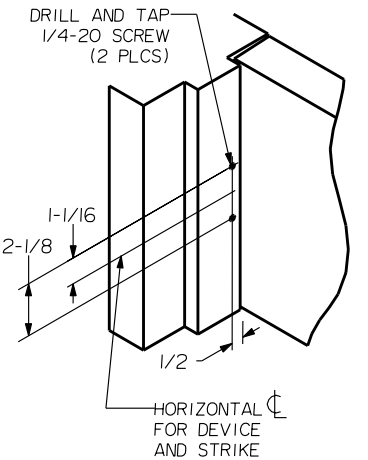
DRILL 1/4 DIA. INSIDE
DRILL 5/16 DIA. OUTSIDE

NOTE: "LETTER" AT END OF TRIM MODEL NO. DESIGNATES LEVER STYLE. EXCEPT AS NOTED, LEVER STYLE HAS NO EFFECT ON STILE MACHINING.

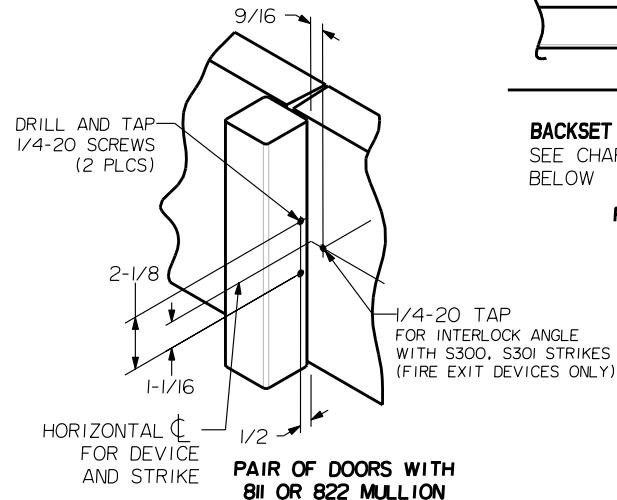


ROLLER STRIKE S458 (STANDARD)

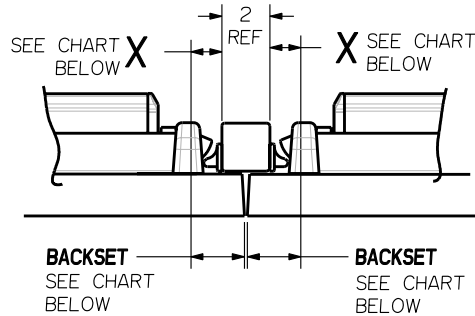
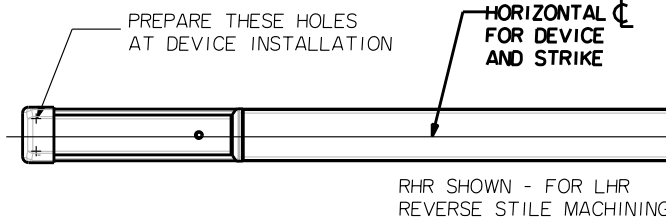
STRIKE S300 (OPTIONAL)
ROLLER STRIKE S30I (OPTIONAL)
REQ'D WITH FIRE RATED MULLION



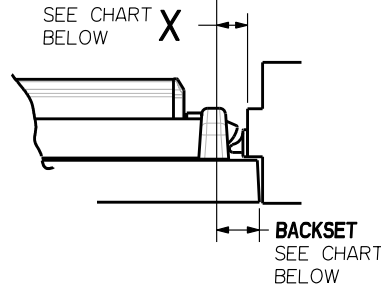
SINGLE DOOR WITH 5/8 STOP



PAIR OF DOORS WITH 811 OR 822 MULLION



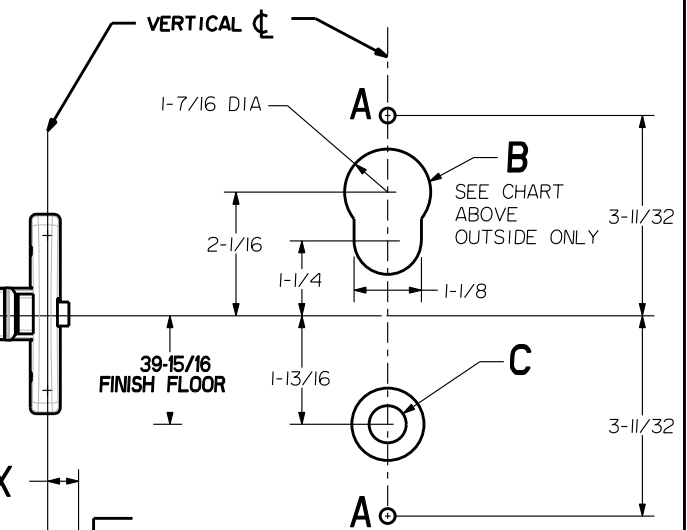
PAIR OF DOORS WITH 811 OR 822 MULLION



SINGLE DOOR WITH 5/8 STOP

LOCK STILE MACHINING

| DEVICES | TRIMS | HOLE (2) PLS A | HOLE B | HOLE C |
|---------|-------|-------------------------------------|---------------|-------------------------------------|
| 24.FL24 | 2908 | 1/4 DIA INSIDE 13/32 DIA OUTSIDE | YES | 5/8 DIA INSIDE 1-3/8 DIA OUTSIDE |
| | 2914 | | NOT REQ'D | |



PRECISION HARDWARE INC.
WWW.PRECISIONHARDWARE.COM

| STRIKE | APPLICATION | BACKSET | MIN. STILE | DIM X |
|--------------|---------------|---------|------------|--------|
| S300 S30I | SINGLE DOOR | 1-15/16 | 2-7/8 | 1-7/16 |
| | PAIR OF DOORS | 2-3/8 | 3-1/4 | |
| S458 | SINGLE DOOR | 1-11/16 | 2-5/8 | 1-3/16 |
| | PAIR OF DOORS | 2-1/8 | 3 | |

| DEVICE SERIES | | TRIM SERIES | |
|------------------|---------------|--------------|-----|
| 24, FL24 | | 2908, 2914 | |
| STRIKE NO. | RELEASED DATE | TEMPLATE NO. | REV |
| S300, S30I, S458 | 04/01/03 | HM-24B | A |