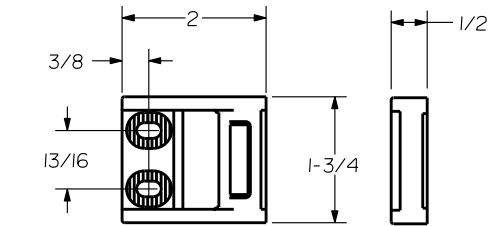
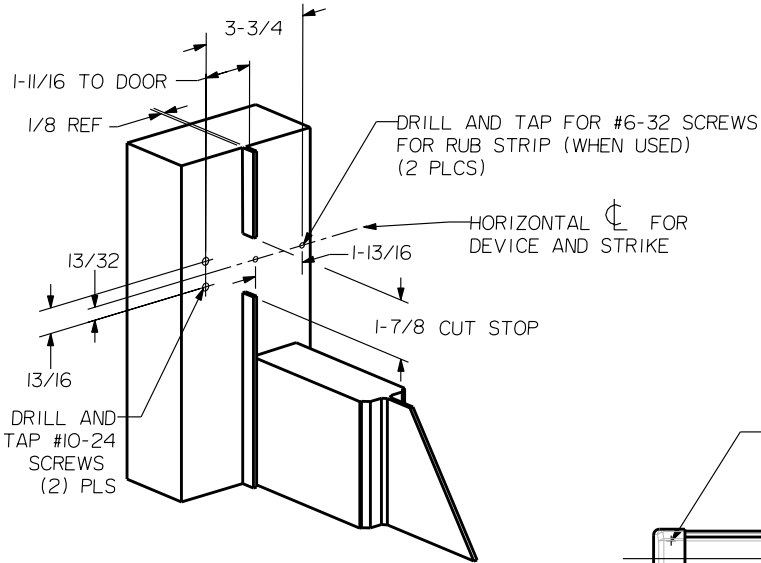
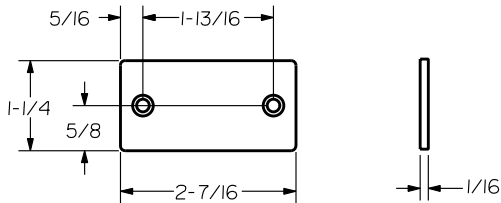


**SEX BOLT MACHINING**  
 DRILL 1/4 DIA. INSIDE  
 DRILL 5/16 DIA. OUTSIDE

NOTE: "LETTER" AT END OF TRIM MODEL NO.  
 DESIGNATES LEVER STYLE. EXCEPT AS NOTED,  
 LEVER STYLE HAS NO EFFECT ON STILE MACHINING.



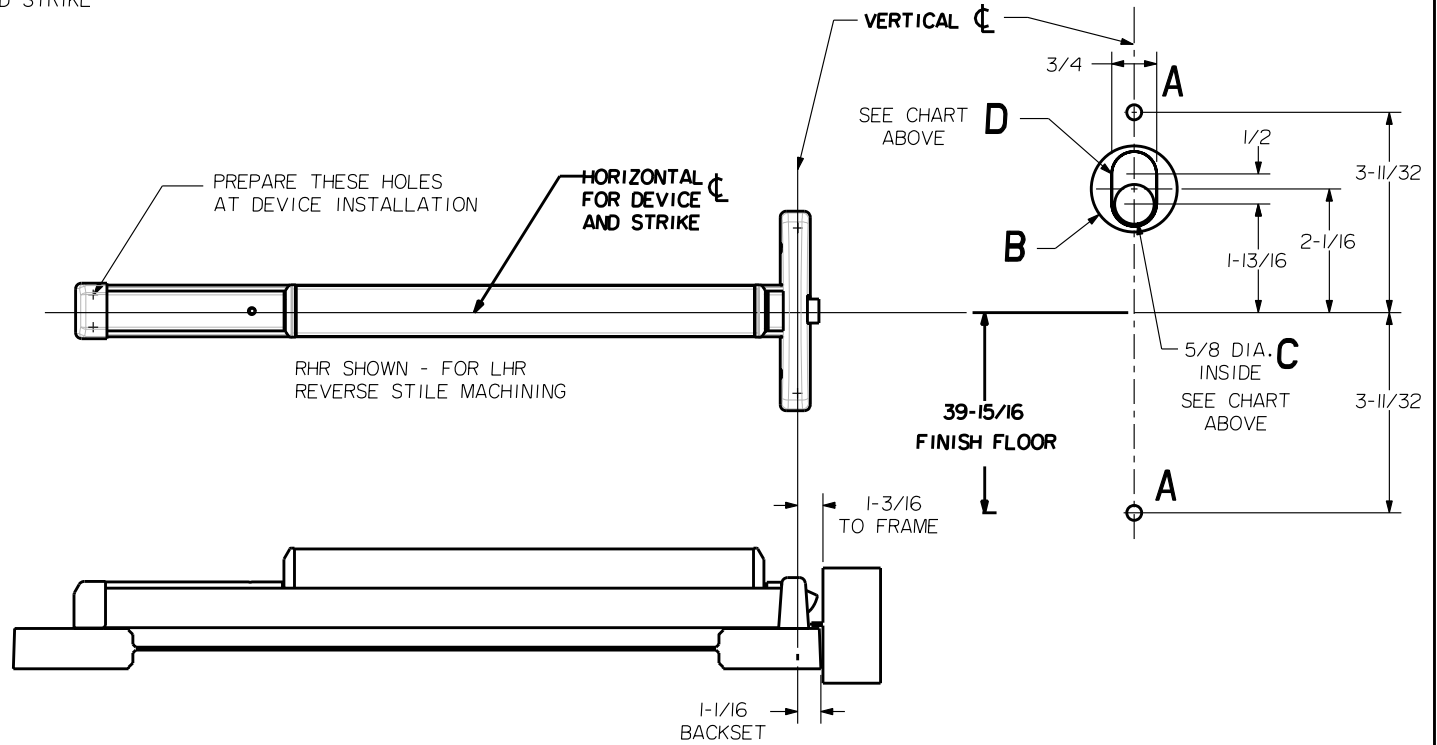
ROLLER STRIKE S988  
 STANDARD



RUB STRIP S454  
 (STANDARD)

HOLE (2) PLS	DEVICES	TRIMS	HOLE B	HOLE C	SLOT D
#10-24 TAP INSIDE ONLY	24 X EXIT ONLY	NONE	NO	NO	NO
	24 X CYL ONLY		1-3/16 DIA. OUTSIDE		3/4 SLOT INSIDE
1/4 DIA INSIDE 13/32 DIA OUTSIDE	24	2901	NO	YES	NO
		2902			
		2903	1-7/16 DIA OUTSIDE		

**LOCK STILE MACHINING**



**PRECISION HARDWARE INC.**  
 WWW.PRECISIONHARDWARE.COM

ALUMINUM DOOR AND FRAME WITH BLADE OR APPLIED STOP		
MIN. STILE	DEVICE SIZE	DOOR WIDTH
1-3/4"	3'-0"	2'-6" TO 3'-0"
	4'-0"	3'-1" TO 4'-0"

DEVICE SERIES		TRIM SERIES	
24		EXIT ONLY, CYL ONLY, 2901,2902,2903	
STRIKE NO.	RELEASED DATE	TEMPLATE NO.	REV
S988	04/01/03	AL-24A	A