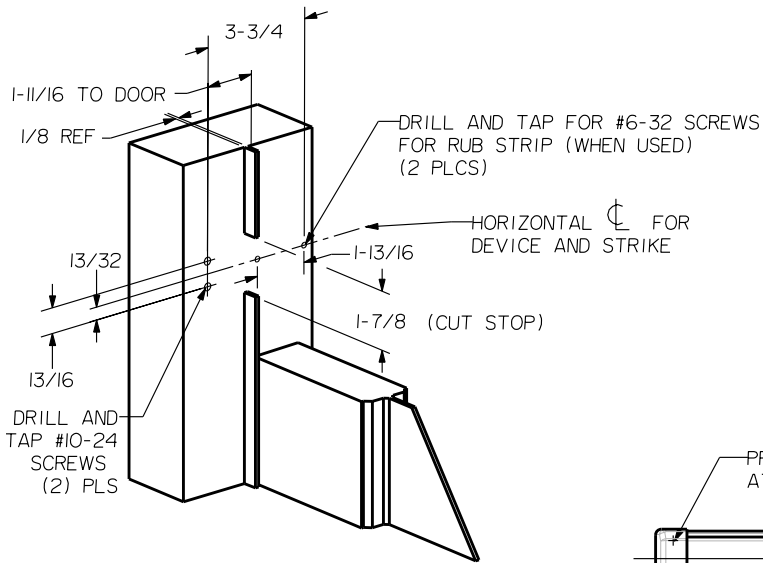
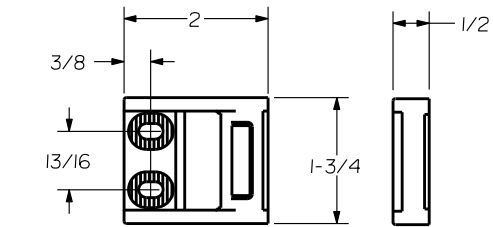


SEX BOLT MACHINING
 DRILL 1/4 DIA. INSIDE
 DRILL 5/16 DIA. OUTSIDE

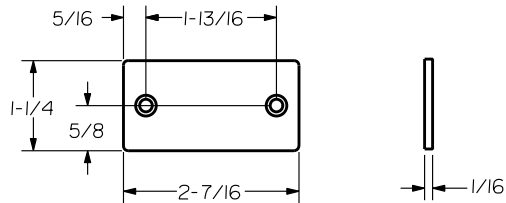


NOTE: "LETTER" AT END OF TRIM MODEL NO. DESIGNATES LEVER STYLE. EXCEPT AS NOTED, LEVER STYLE HAS NO EFFECT ON STILE MACHINING.

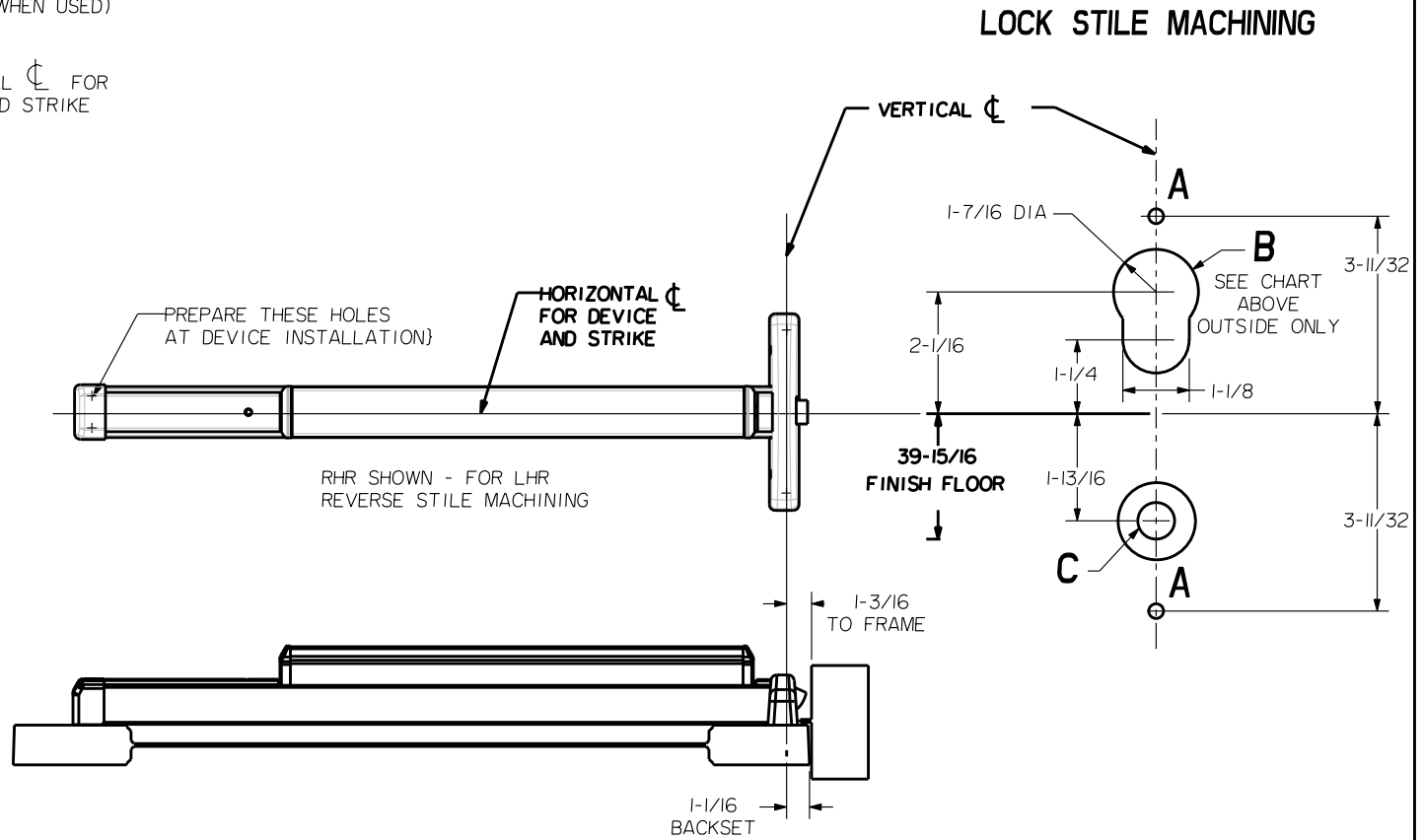
DEVICES	TRIMS	HOLE (2) PLS A	HOLE B	HOLE C
24	2908	1/4 DIA INSIDE 3/32 DIA OUTSIDE	YES	5/8 DIA INSIDE 1-3/8 DIA OUTSIDE
	2914		NOT REQ'D	



ROLLER STRIKE S988
STANDARD



RUB STRIP S454
(STANDARD)



LOCK STILE MACHINING

PRECISION HARDWARE INC.
 WWW.PRECISIONHARDWARE.COM

ALUMINUM DOOR AND FRAME WITH BLADE OR APPLIED STOP			DEVICE SERIES		TRIM SERIES	
MIN. STILE	DEVICE SIZE	DOOR WIDTH	24		2908, 2914	
1-3/4"	3'-0"	2'-6" TO 3'-0"	STRIKE NO.	RELEASED DATE	TEMPLATE NO.	REV
	4'-0"	3'-1" TO 4'-0"	S988	04/01/03	AL-24B	A