

REINFORCEMENT REQUIREMENTS

PROVIDE ADEQUATE REINFORCEMENT TO METAL COVERED COMPOSITE AND HOLLOW METAL DOORS FOR THE DRILLING AND TAPPING OF THE MACHINE SCREWS.

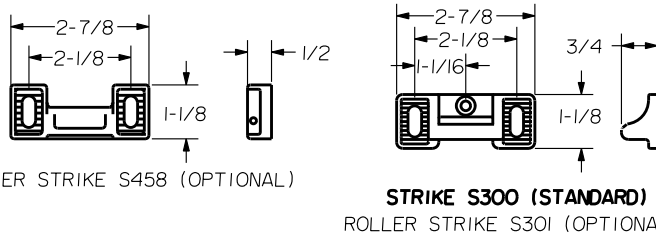
SEX NUTS AND BOLTS

SEX BOLTS ARE REQUIRED FOR PLASTIC, WOOD, METAL COVERED COMPOSITE AND HOLLOW METAL DOORS WITHOUT REINFORCEMENT

SEX BOLT MACHINING

DRILL 1/4 DIA. INSIDE
DRILL 5/16 DIA. OUTSIDE

NOTE: "LETTER" AT END OF TRIM MODEL NO. DESIGNATES LEVER OR GRIP STYLE. EXCEPT AS NOTED, LEVER OR GRIP STYLE HAS NO EFFECT ON STILE MACHINING.

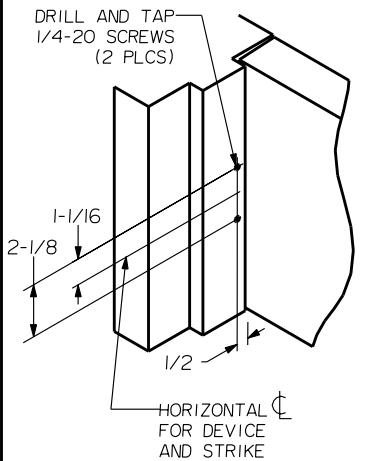


ROLLER STRIKE S458 (OPTIONAL)

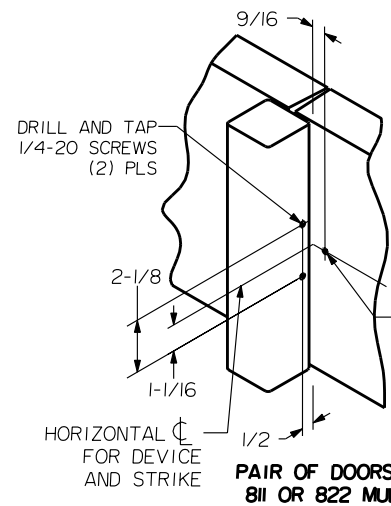
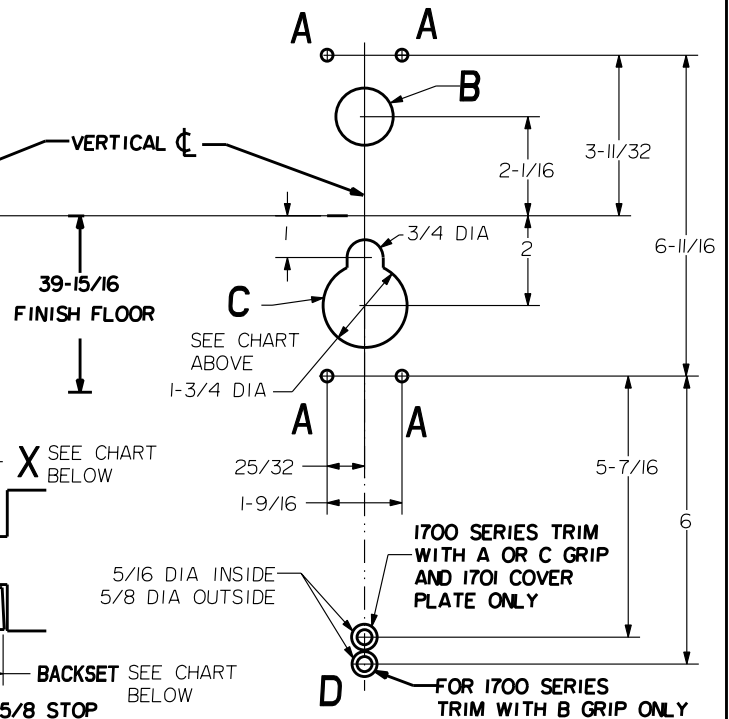
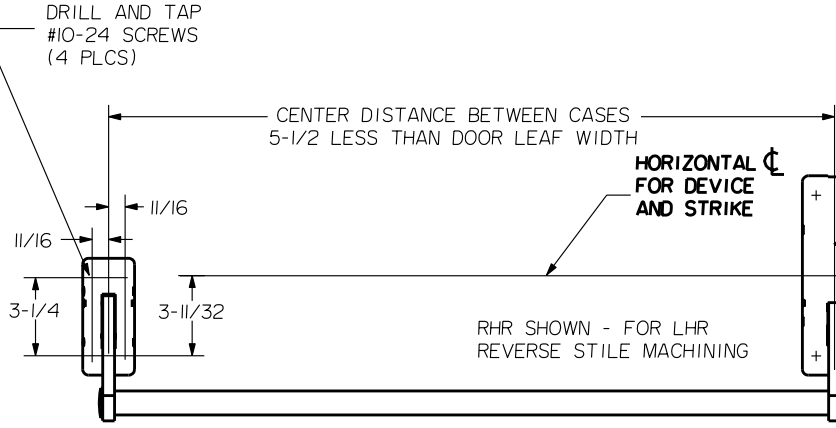
STRIKE S300 (STANDARD)
ROLLER STRIKE S301 (OPTIONAL)

HOLE (4) PLS A	DEVICES	TRIMS	HOLE B	HOLE C
#10-24 TAP INSIDE ONLY	I03,FLI03,RI03 FLRIO3 X EXIT ONLY	NONE	NO	NO
	I03,FLI03,RI03 FLRIO3 X CYL ONLY		1-3/8 DIA INSIDE 1-3/16 DIA OUTSIDE	
1/4 DIA INSIDE 13/32 DIA OUTSIDE	I03,FLI03 RI03,FLRIO3	1701,3901	NO	THRU DOOR
		1702,3902	NO	
	I08,FLI08,RI08,FLRIO8	Y1705 Y3908,VY3908	1-3/8 DIA THRU DOOR	
		I08,FLI08,RI08,FLRIO8	Y1715,Y3914	

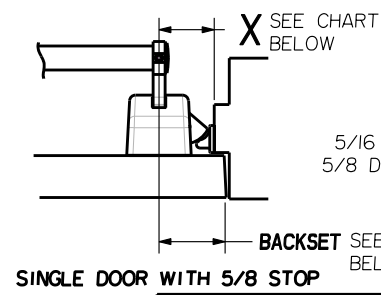
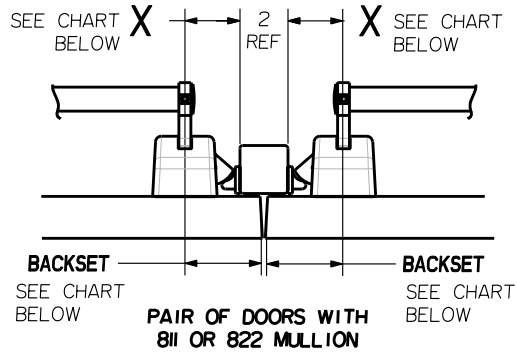
LOCK STILE MACHINING



SINGLE DOOR WITH 5/8 STOP



PAIR OF DOORS WITH 811 OR 822 MULLION



STRIKE	APPLICATION	BACKSET	MIN. STILE	DIM X
S300 S301	SINGLE DOOR	2-3/4	4-1/4	2-1/4
	PAIR OF DOORS	3-1/8	4-5/8	
S458	SINGLE DOOR	2-9/16	4	2-1/16
	PAIR OF DOORS	2-15/16	4-3/8	

PRECISION HARDWARE INC.
WWW.PRECISIONHARDWARE.COM

DEVICE SERIES		TRIM SERIES	
100,FL100,RI00,FLRIO0		EXIT ONLY, CYL ONLY, 1700,3900	
STRIKE NO.	RELEASED DATE	TEMPLATE NO.	REV
S300, S301, S458	04/01/03	HM-100A	A