

REINFORCEMENT REQUIREMENTS

PROVIDE ADEQUATE REINFORCEMENT TO METAL COVERED COMPOSITE AND HOLLOW METAL DOORS FOR THE DRILLING AND TAPPING OF THE MACHINE SCREWS.

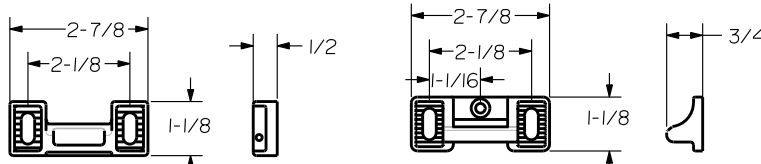
SEX NUTS AND BOLTS

SEX BOLTS ARE REQUIRED FOR PLASTIC, WOOD, METAL COVERED COMPOSITE AND HOLLOW METAL DOORS WITHOUT REINFORCEMENT

SEX BOLT MACHINING

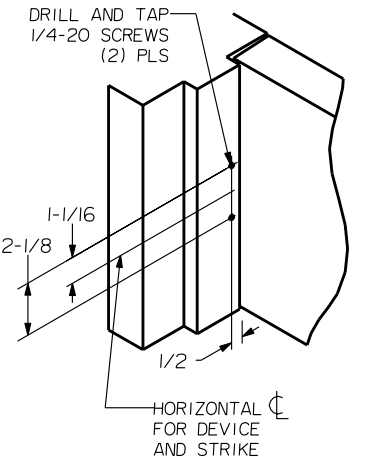
DRILL 1/4 DIA. INSIDE
DRILL 5/16 DIA. OUTSIDE

NOTE: "LETTER" AT END OF TRIM MODEL NO. DESIGNATES GRIP STYLE. EXCEPT AS NOTED, GRIP STYLE HAS NO EFFECT ON STILE MACHINING.

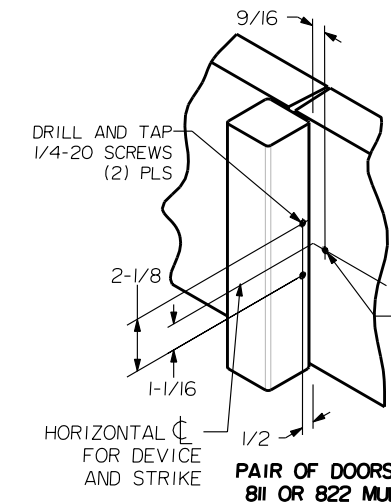


ROLLER STRIKE S458 (OPTIONAL)

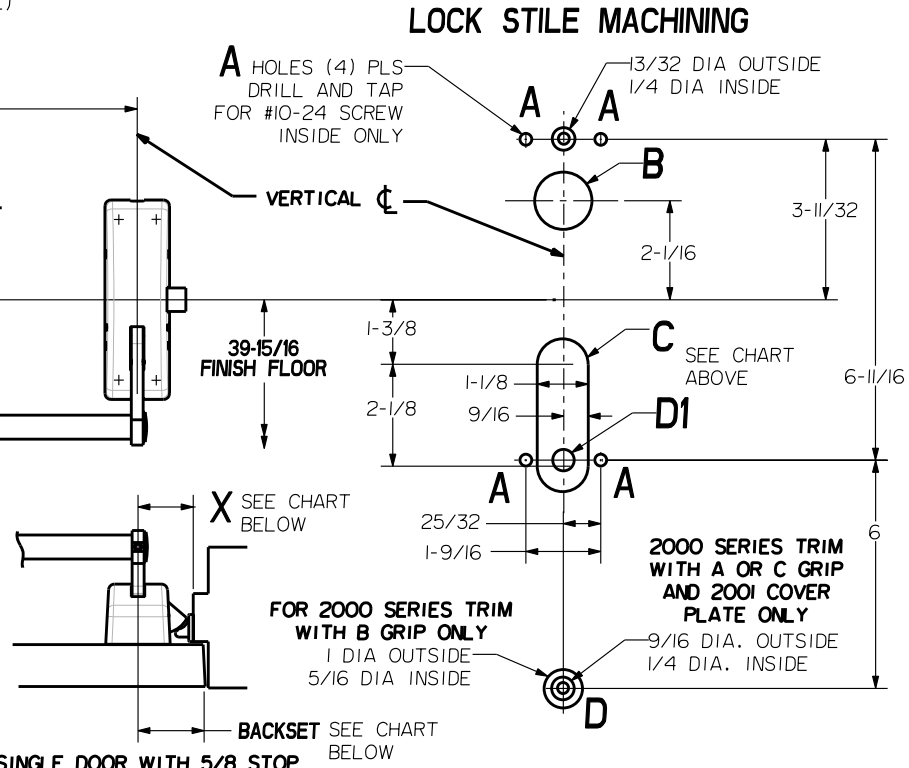
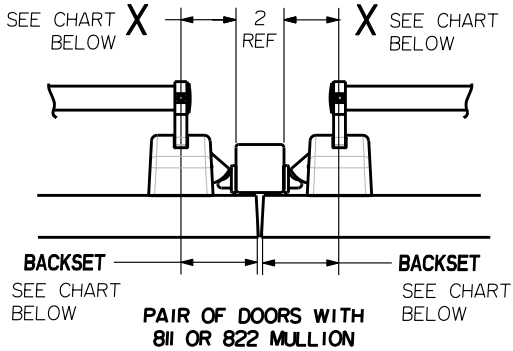
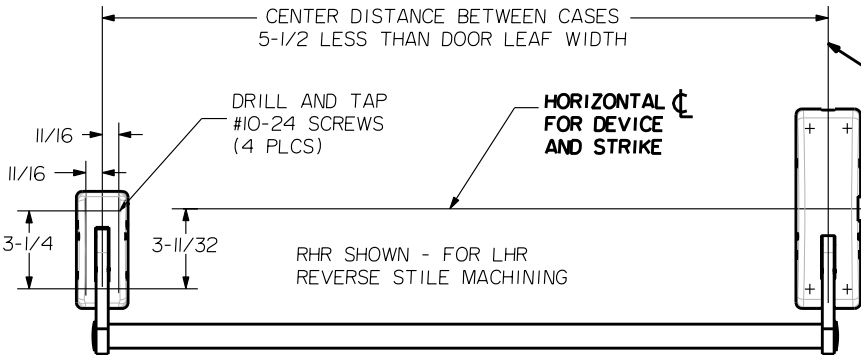
STRIKE S300 (STANDARD)
ROLLER STRIKE S301 (OPTIONAL)



SINGLE DOOR WITH 5/8 STOP



PAIR OF DOORS WITH 811 OR 822 MULLION



DEVICES	TRIMS	HOLE B 1-3/8 DIA. THRU DOOR	SLOT C THRU DOOR	D1
103.FL103 RIO3.FLRIO3	2001	NO	NO	13/32 DIA OUTSIDE 1/4 DIA INSIDE
	2002			
	2003	YES		
108.FL108 RIO8.FLRIO8	Y2005	YES	YES	NO
	Y2015	NO		

PRECISION HARDWARE INC.
WWW.PRECISIONHARDWARE.COM

STRIKE	APPLICATION	BACKSET	MIN. STILE	DIM X
S300 S301	SINGLE DOOR	2-3/4	4-1/4	2-1/4
	PAIR OF DOORS	3-1/8	4-5/8	
S458	SINGLE DOOR	2-9/16	4	2-1/16
	PAIR OF DOORS	2-15/16	4-3/8	

DEVICE SERIES		TRIM SERIES	
100,FL100,RIO0,FLRIO0		2000	
STRIKE NO.	RELEASED DATE	TEMPLATE NO.	REV
S300, S301, S458	04/01/03	HM-100B	A