

REINFORCEMENT REQUIREMENTS

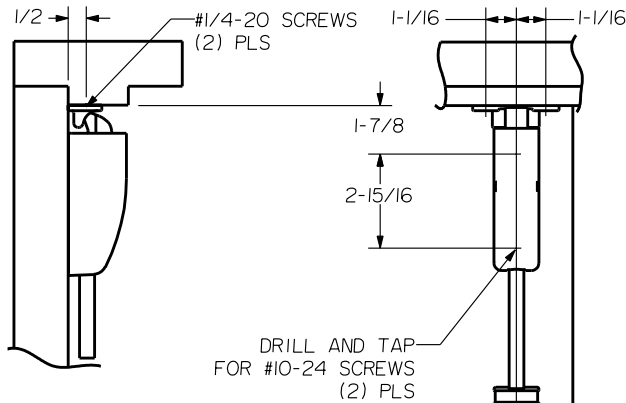
PROVIDE ADEQUATE REINFORCEMENT TO METAL COVERED COMPOSITE AND HOLLOW METAL DOORS FOR THE DRILLING AND TAPPING OF THE MACHINE SCREWS.

SEX NUTS AND BOLTS

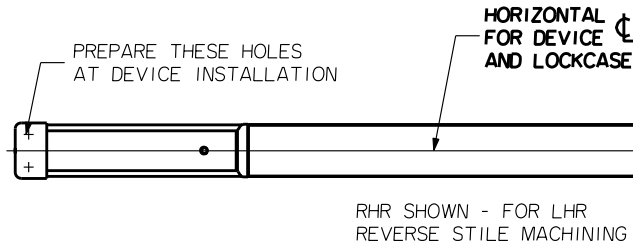
SEX BOLTS ARE REQUIRED FOR PLASTIC, WOOD, METAL COVERED COMPOSITE AND HOLLOW METAL DOORS WITHOUT REINFORCEMENT

SEX BOLT MACHINING

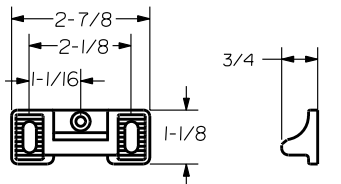
DRILL 1/4 DIA INSIDE
DRILL 5/16 DIA OUTSIDE



DRILL AND TAP FOR #10-24 SCREWS (2) PLS

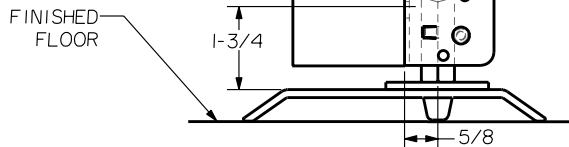


RHR SHOWN - FOR LHR REVERSE STILE MACHINING



STRIKE S300 (STANDARD)

ROLLER STRIKE S301 (OPTIONAL)



THRESHOLD APPLICATION

DRILL AND TAP FOR #10-24 SCREWS (2) PLS

STRIKE S460

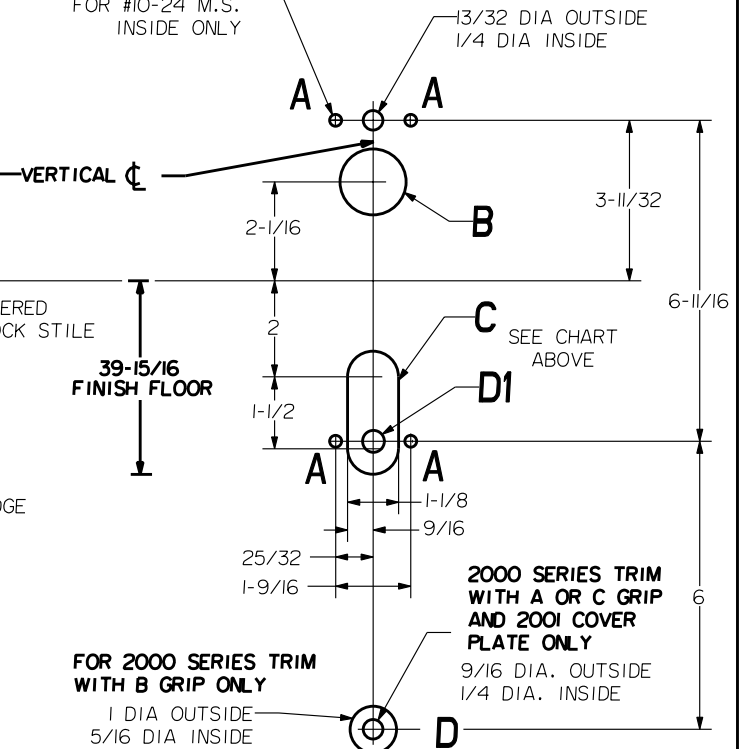
FINISHED FLOOR

DEVICES	TRIMS	HOLE B 1-3/8 DIA. THRU DOOR	SLOT C THRU DOOR	DI
2203.FL2203	2001	NO	NO	13/32 DIA OUTSIDE 1/4 DIA INSIDE
	2002			
	2003			
2208.FL2208	2005	YES	YES	NO
	2015	NO		

LOCK STILE MACHINING

A HOLES (4) PLS
DRILL AND TAP
FOR #10-24 M.S.
INSIDE ONLY

13/32 DIA OUTSIDE
1/4 DIA INSIDE



SEE CHART ABOVE

2000 SERIES TRIM WITH A OR C GRIP AND 2001 COVER PLATE ONLY

9/16 DIA. OUTSIDE
1/4 DIA. INSIDE

FOR 2000 SERIES TRIM WITH B GRIP ONLY
1 DIA OUTSIDE
5/16 DIA INSIDE

PRECISION HARDWARE INC.
WWW.PRECISIONHARDWARE.COM

DEVICE SERIES		TRIM SERIES	
2200, FL2200, 2200LBR, FL2200LBR		2000	
STRIKE NO.	RELEASED DATE	TEMPLATE NO.	REV
S300, S301, S460	04/01/03	HM-2200B	A

LBR DEVICES:
OMIT BOTTOM BOLT MACHINING.
FIRE BOLT REQ'D FOR FL DEVICES
SEE DRAWING OI297-II-000 FOR DETAILS

NOTE: "LETTER" AT END OF TRIM MODEL NO. DESIGNATES GRIP STYLE. EXCEPT AS NOTED, GRIP STYLE HAS NO EFFECT ON STILE MACHINING.