

REINFORCEMENT REQUIREMENTS

PROVIDE ADEQUATE REINFORCEMENT TO METAL COVERED COMPOSITE AND HOLLOW METAL DOORS FOR THE DRILLING AND TAPPING FOR THE MACHINE SCREWS.

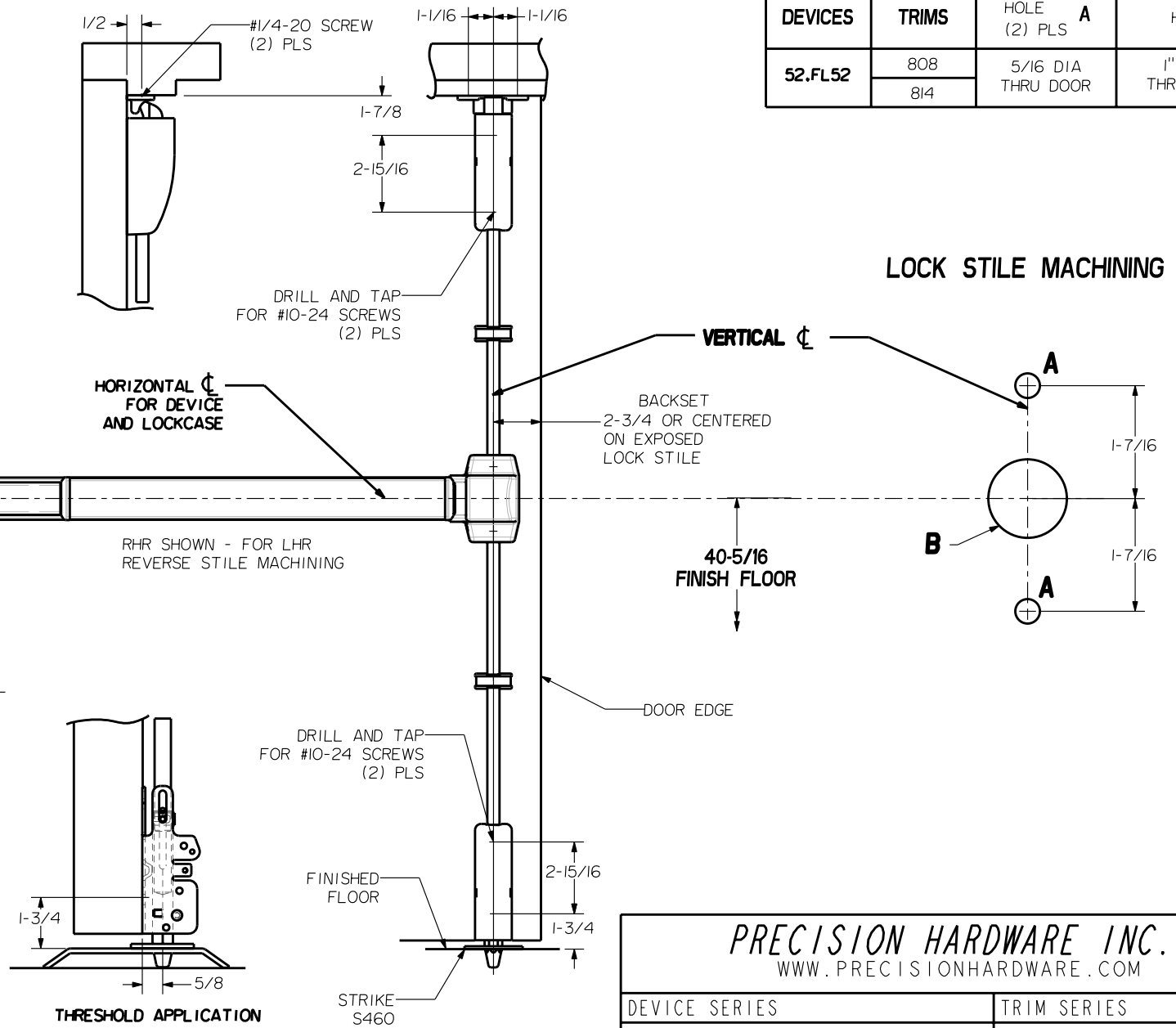
SEX NUTS AND BOLTS

SEX BOLTS ARE REQUIRED FOR PLASTIC, WOOD, METAL COVERED COMPOSITE AND HOLLOW METAL DOORS WITHOUT REINFORCEMENT

SEX BOLT MACHINING

DRILL 1/4 DIA. INSIDE
DRILL 5/16 DIA. OUTSIDE

DEVICES	TRIMS	HOLE A (2) PLS	HOLE B
52.FL52	808	5/16 DIA THRU DOOR	1" DIA. THRU DOOR
	814		

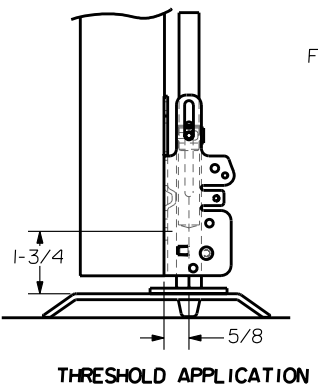
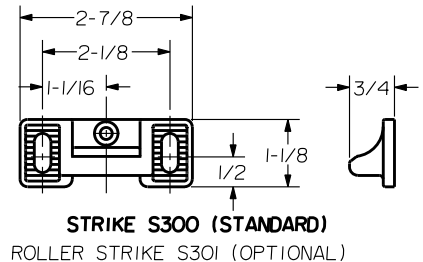


LOCK STILE MACHINING

PREPARE THESE HOLES AT DEVICE INSTALLATION

HORIZONTAL CENTERLINE FOR DEVICE AND LOCKCASE

RHR SHOWN - FOR LHR REVERSE STILE MACHINING



DRILL AND TAP FOR #10-24 SCREWS (2) PLS

LBR DEVICES:
OMIT BOTTOM BOLT MACHINING.
FIRE BOLT REQ'D FOR FL DEVICES
SEE DRAWING 01297-II-000 FOR DETAILS

PRECISION HARDWARE INC. WWW.PRECISIONHARDWARE.COM			
DEVICE SERIES		TRIM SERIES	
52, FL52, 52LBR, FL52LBR		808, 814	
STRIKE NO.	RELEASED DATE	TEMPLATE NO.	REV
S300, S30I, S460	04/01/03	HM-52B	A

NOTE: FITS STOCK DOORS WITH ANSI A115.17 (16I) AND ANSI A115.18 CUT-OUTS, REQUIRE TRIM THRU BOLT HOLES AT DEVICE INSTALLATION.