

REINFORCEMENT REQUIREMENTS

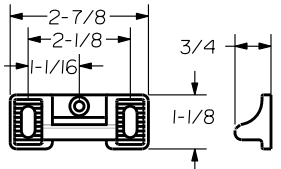
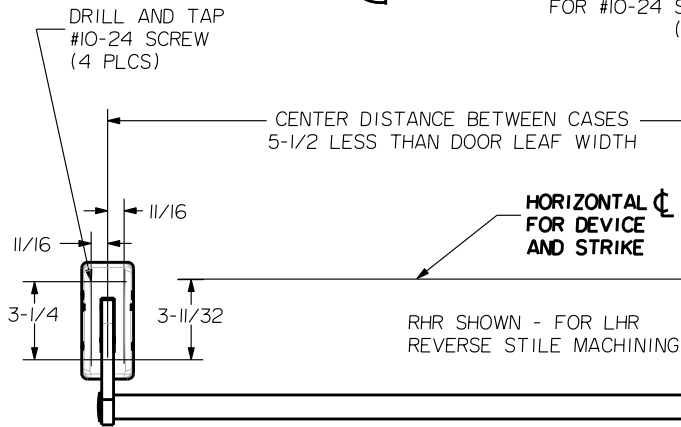
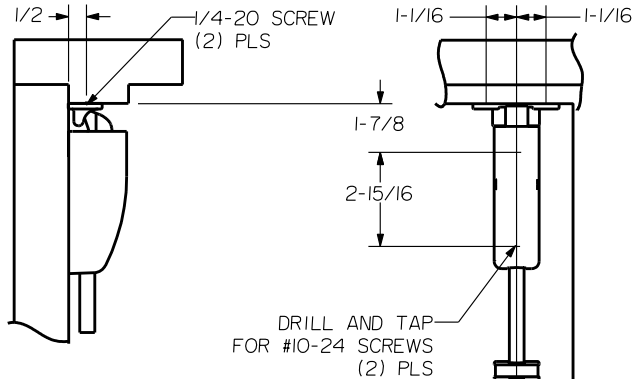
PROVIDE ADEQUATE REINFORCEMENT TO METAL COVERED COMPOSITE AND HOLLOW METAL DOORS FOR THE DRILLING AND TAPPING OF THE MACHINE SCREWS.

SEX NUTS AND BOLTS

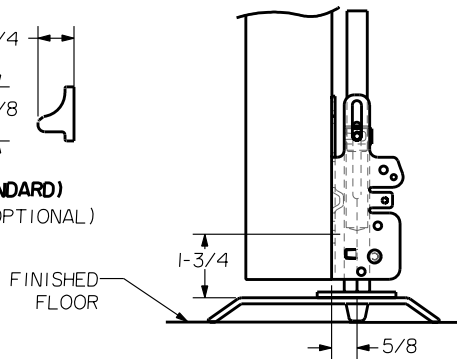
SEX BOLTS ARE REQUIRED FOR PLASTIC, WOOD, METAL COVERED COMPOSITE AND HOLLOW METAL DOORS WITHOUT REINFORCEMENT

SEX BOLT MACHINING

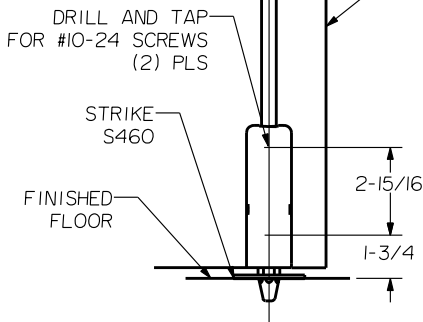
DRILL 1/4 DIA. INSIDE
DRILL 5/16 DIA. OUTSIDE



STRIKE S300 (STANDARD)
ROLLER STRIKE S30I (OPTIONAL)



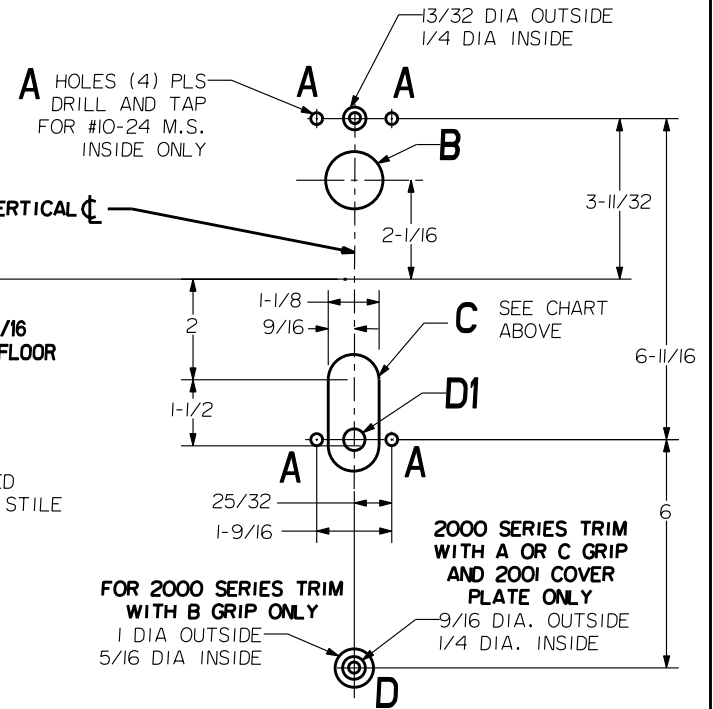
THRESHOLD APPLICATION



LBR DEVICES:
OMIT BOTTOM BOLT MACHINING.
FIRE BOLT REQ'D FOR FL DEVICES
SEE DRAWING 01297-II-000 FOR DETAILS

DEVICES	TRIMS	HOLE B 1-3/8 DIA. THRU DOOR	SLOT C THRU DOOR	D1
203.FL203	2001	NO	NO	13/32 DIA OUTSIDE 1/4 DIA INSIDE
	2002			
	2003			
208.FL208	Y2005	YES	YES	NO
	Y2015	NO	NO	

LOCK STILE MACHINING



2000 SERIES TRIM WITH A OR C GRIP AND 2001 COVER PLATE ONLY
9/16 DIA. OUTSIDE
1/4 DIA. INSIDE

FOR 2000 SERIES TRIM WITH B GRIP ONLY
1 DIA OUTSIDE
5/16 DIA INSIDE

PRECISION HARDWARE INC.
WWW.PRECISIONHARDWARE.COM

DEVICE SERIES		TRIM SERIES	
200, FL200, 200LBR, FL200LBR		2000	
STRIKE NO.	RELEASED DATE	TEMPLATE NO.	REV
S300, S30I, S460	04/01/03	HM-200B	A