

REINFORCEMENT REQUIREMENTS

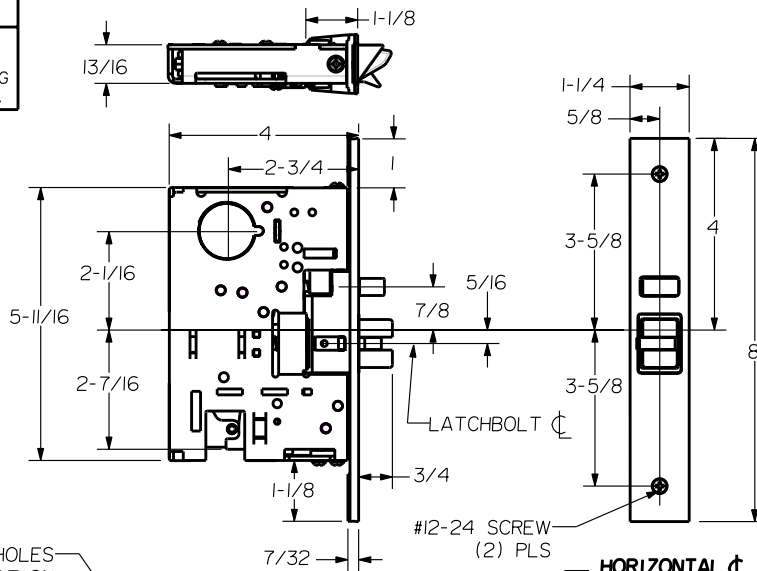
PROVIDE ADEQUATE REINFORCEMENT TO METAL COVERED COMPOSITE AND HOLLOW METAL DOORS FOR THE DRILLING AND TAPPING FOR THE MACHINE SCREWS.

SEX NUTS AND BOLTS

SEX BOLTS ARE REQUIRED FOR PLASTIC, WOOD, METAL COVERED COMPOSITE AND HOLLOW METAL DOORS WITHOUT REINFORCEMENT

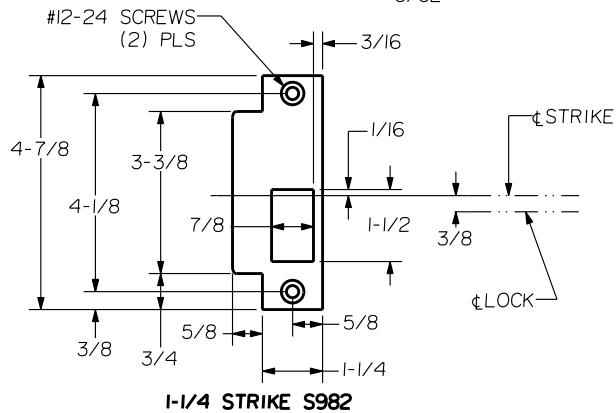
SEX BOLT MACHINING

DRILL 1/4 DIA. INSIDE
DRILL 5/16 DIA. OUTSIDE



PREPARE THESE HOLES AT DEVICE INSTALLATION

RHR SHOWN - FOR LHR REVERSE STILE MACHINING



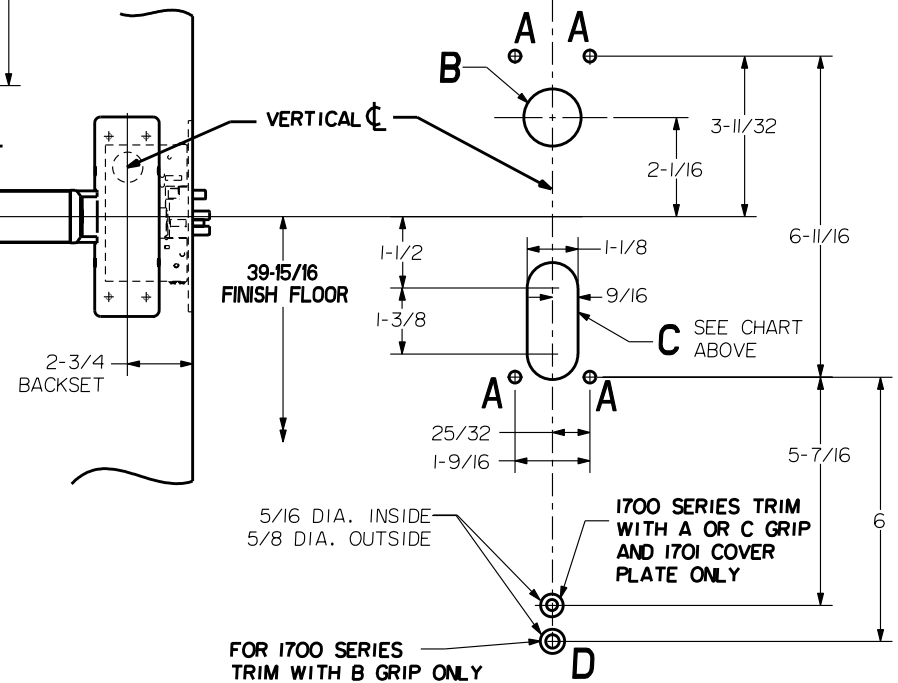
1-1/4 STRIKE S982

NOTE:
"LETTER" AT END OF TRIM MODEL NO. DESIGNATES LEVER OR GRIP STYLE. EXCEPT AS NOTED, LEVER OR GRIP STYLE HAS NO EFFECT ON STILE MACHINING.

S985,S984 OPTIONAL OPEN BACK STRIKES
SEE TEMPLATE NUMBER HM-S985

| HOLE (4) PLS A | DEVICES | TRIMS | HOLE B | HOLE C |
|------------------------------------|--|--------------------------|--------------------|------------------|
| #10-24 TAP INSIDE ONLY | 2303.FL2303 X EXIT ONLY | NONE | NO | SLOT INSIDE ONLY |
| | 2303.FL2303 X CYL ONLY | | 1-3/16 DIA OUTSIDE | |
| 1/4 DIA INSIDE 3/32 DIA OUTSIDE | 2303.FL2303 | 1701,3901 | NO | SLOT THRU DOOR |
| | | 1702,3902 | NO | |
| | E2303.FLE2303 2308.FL2308 2310.FL2310 2308.FL2308 | 1703,M3903 | 1-3/8 OUTSIDE ONLY | |
| | | MI705 M3908 VM3908 | 1-3/8 THRU DOOR | |
| | | MI715,M3914 | NO | |

LOCK STILE MACHINING



| | | | |
|---|---------------|--------------------------------|-----|
| PRECISION HARDWARE INC. WWW.PRECISIONHARDWARE.COM | | | |
| DEVICE SERIES | | TRIM SERIES | |
| 2300, FL2300 | | EXIT ONLY, CYL ONLY, 1700,3900 | |
| STRIKE NO. | RELEASED DATE | TEMPLATE NO. | REV |
| S982 | 04/01/03 | HM-2300A | A |