

**REINFORCEMENT REQUIREMENTS**

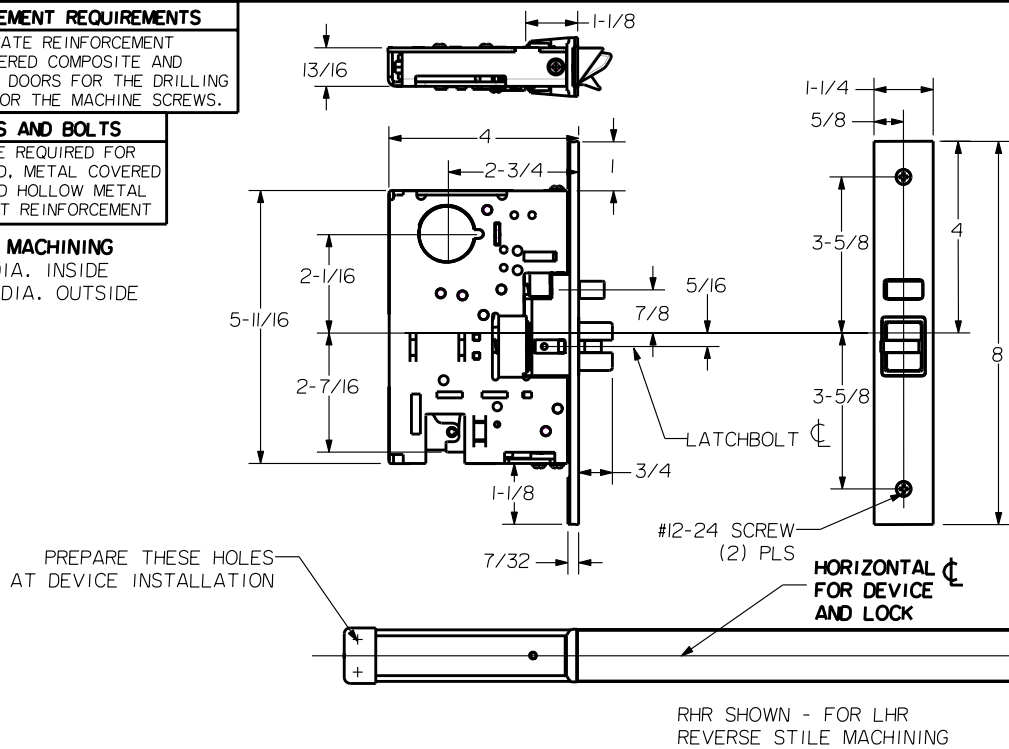
PROVIDE ADEQUATE REINFORCEMENT TO METAL COVERED COMPOSITE AND HOLLOW METAL DOORS FOR THE DRILLING AND TAPPING FOR THE MACHINE SCREWS.

**SEX NUTS AND BOLTS**

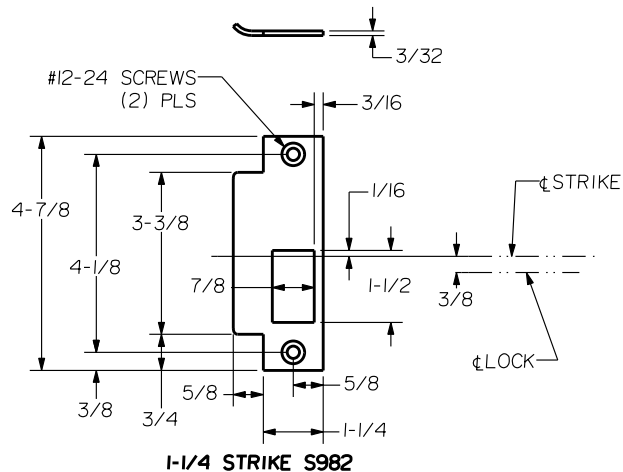
SEX BOLTS ARE REQUIRED FOR PLASTIC, WOOD, METAL COVERED COMPOSITE AND HOLLOW METAL DOORS WITHOUT REINFORCEMENT

**SEX BOLT MACHINING**

DRILL 1/4 DIA. INSIDE  
DRILL 5/16 DIA. OUTSIDE



PREPARE THESE HOLES AT DEVICE INSTALLATION



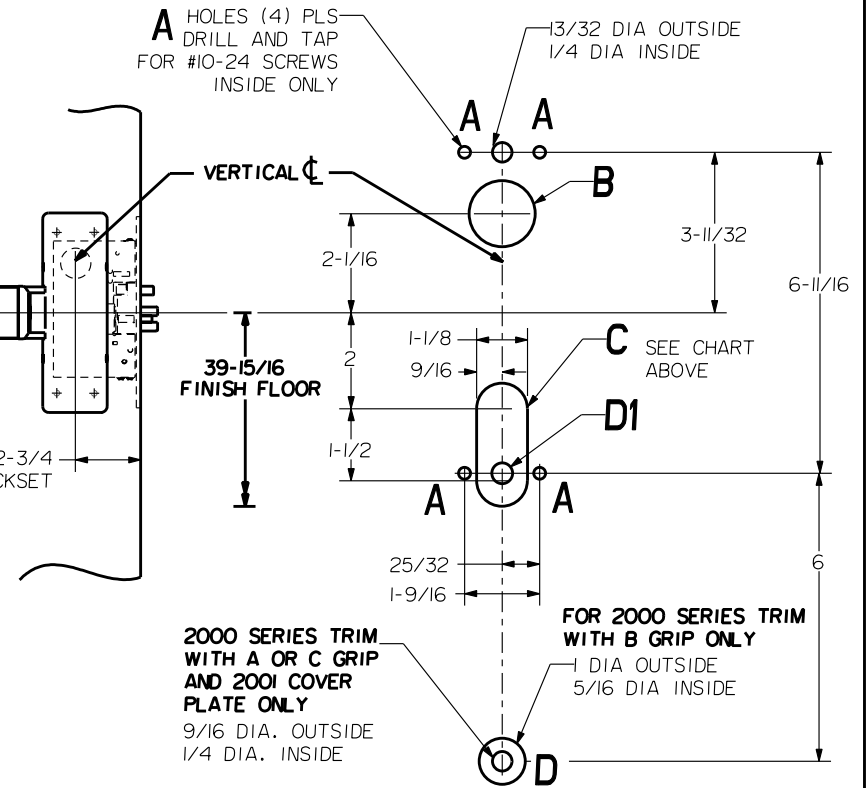
**1-1/4 STRIKE S982**

NOTE:  
"LETTER" AT END OF TRIM MODEL NO. DESIGNATES GRIP STYLE. EXCEPT AS NOTED, GRIP STYLE HAS NO EFFECT ON STILE MACHINING.

S985, S984 OPTIONAL OPEN BACK STRIKES  
SEE TEMPLATE NUMBER HM-S985

DEVICES	TRIMS	HOLE B 1-3/8 DIA. THRU DOOR	SLOT C	D1
2303.FL2303	2001	NO	INSIDE ONLY	13/32 DIA OUTSIDE
	2002			
	2003			
2308.FL2308	M2005	YES	THRU DOOR	NO
	M2015	NO		

**LOCK STILE MACHINING**



**PRECISION HARDWARE INC.**  
WWW.PRECISIONHARDWARE.COM

DEVICE SERIES		TRIM SERIES	
2300, FL2300		2000	
STRIKE NO.	RELEASED DATE	TEMPLATE NO.	REV
S982	04/01/03	HM-2300B	A