

**REINFORCEMENT REQUIREMENTS**

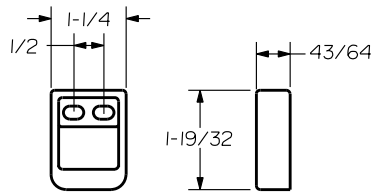
PROVIDE ADEQUATE REINFORCEMENT TO METAL COVERED COMPOSITE AND HOLLOW METAL DOORS FOR THE DRILLING AND TAPPING FOR THE MACHINE SCREWS.

**SEX NUTS AND BOLTS**

SEX BOLTS ARE REQUIRED FOR PLASTIC, WOOD, METAL COVERED COMPOSITE AND HOLLOW METAL DOORS WITHOUT REINFORCEMENT

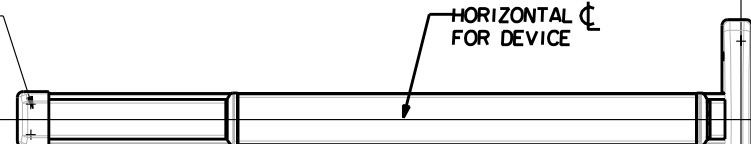
**SEX BOLT MACHINING**

DRILL 1/4 DIA. INSIDE  
DRILL 5/16 DIA. OUTSIDE

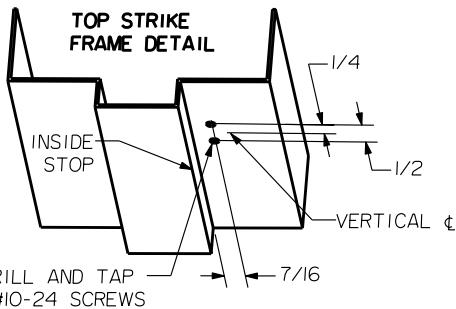


**S519 TOP STRIKE**  
(SURFACE APPLIED)

PREPARE THESE HOLES AT DEVICE INSTALLATION



RHR SHOWN - FOR LHR REVERSE STILE MACHINING



**LBR DEVICES:**  
OPENING TO GO 8" BELOW HORIZONTAL CL OF DEVICE

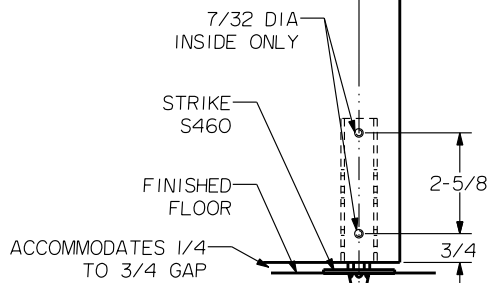
DOOR SKIN PLUS REINFORCEMENT - 5/32 MAX

NOTCH THRU INSIDE FACE 1-5/8 DEEP

1-11/16 BACKSET 3 STILE MIN.

HORIZONTAL CL FOR DEVICE

39-15/16 FINISHED FLOOR



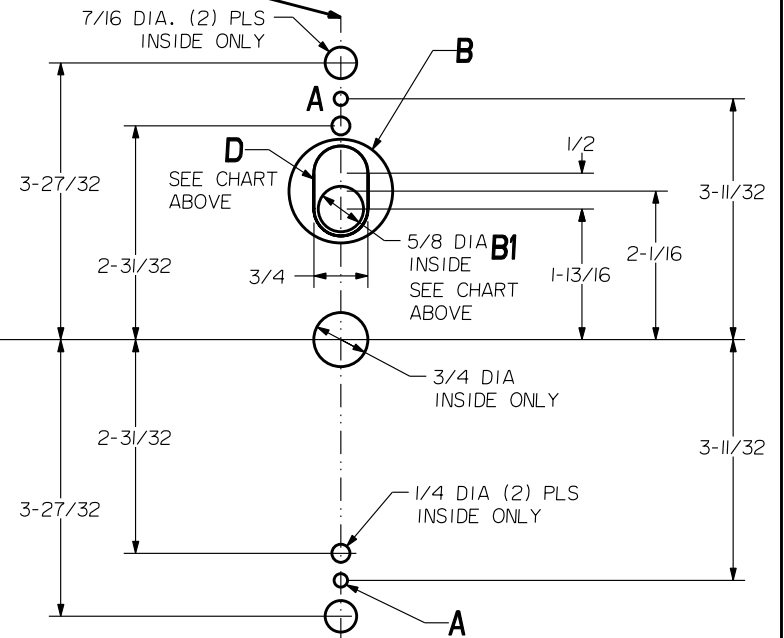
**LBR DEVICES:**

OMIT BOTTOM BOLT MACHINING.  
FIRE BOLT REQ'D FOR FL DEVICES  
SEE DRAWING 01297-II-000 FOR DETAILS

HOLE (2) PLS <b>A</b>	DEVICES	TRIMS	HOLE <b>B</b>	HOLE <b>B1</b>	SLOT <b>D</b>
#10-24 TAP INSIDE ONLY	26.FL26 X EXIT ONLY	NONE	NO	NO	NO
	26.FL26 X CYL ONLY		1-3/16 DIA. OUTSIDE		3/4 SLOT INSIDE
1/4 DIA INSIDE 13/32 DIA OUTSIDE	26.FL26	2901	NO	YES	NO
		2902			
		2903	1-7/16 DIA OUTSIDE		

**LOCK STILE MACHINING**

VERTICAL CL



**PRECISION HARDWARE INC.**  
WWW.PRECISIONHARDWARE.COM

DEVICE SERIES		TRIM SERIES	
26, FL26, 26LBR, FL26LBR		EXIT ONLY, CYL ONLY, 2901,2902,2903	
STRIKE NO.	RELEASED DATE	TEMPLATE NO.	REV
S519, S460	04/01/03	HM-26A	A