

REINFORCEMENT REQUIREMENTS

PROVIDE ADEQUATE REINFORCEMENT TO METAL COVERED COMPOSITE AND HOLLOW METAL DOORS FOR THE DRILLING AND TAPPING FOR THE MACHINE SCREWS.

SEX NUTS AND BOLTS

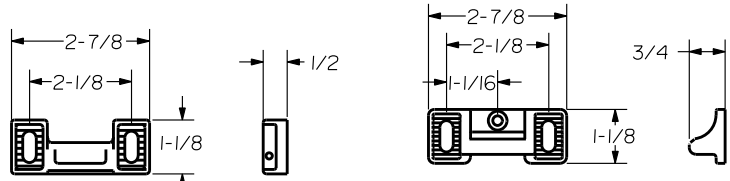
SEX BOLTS ARE REQUIRED FOR PLASTIC, WOOD, METAL COVERED COMPOSITE AND HOLLOW METAL DOORS WITHOUT REINFORCEMENT

SEX BOLT MACHINING

DRILL 1/4 DIA. INSIDE
DRILL 5/16 DIA. OUTSIDE

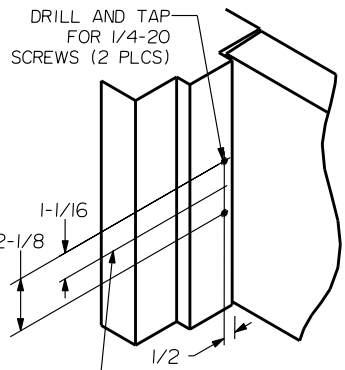
NOTE:
"LETTER" AT END OF TRIM MODEL NO. DESIGNATES GRIP STYLE. EXCEPT AS NOTED, GRIP STYLE HAS NO EFFECT ON STILE MACHINING.

HOLE (2) PLS	A	DEVICES	TRIMS	HOLE B	HOLE C
1/4 DIA INSIDE 13/32 DIA OUTSIDE	24.FL24	2001	NO	NO	
		2002			
		2003	1-3/8 DIA OUTSIDE	5/8 DIA. INSIDE	

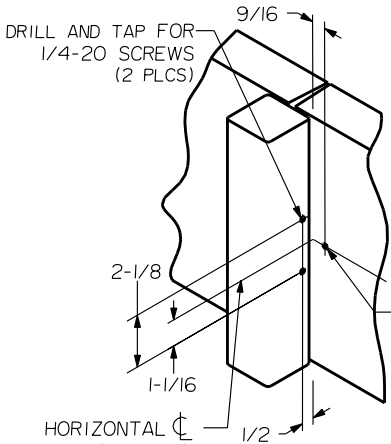


ROLLER STRIKE S458 (STANDARD)

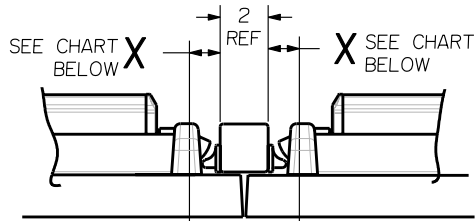
STRIKE S300 (OPTIONAL)
ROLLER STRIKE S301 (OPTIONAL)
REQ'D WITH FIRE RATED MULLION



SINGLE DOOR WITH 5/8 STOP

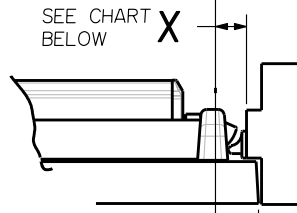


PAIR OF DOORS WITH 811 OR 822 MULLION



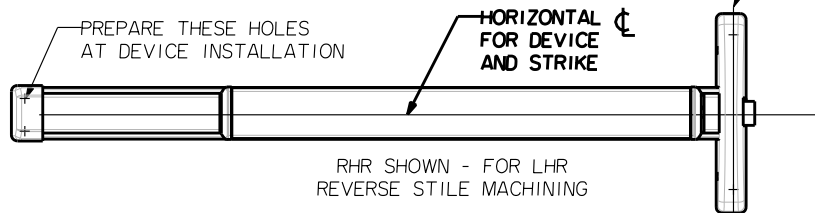
BACKSET SEE CHART BELOW

PAIR OF DOORS WITH 811 OR 822 MULLION

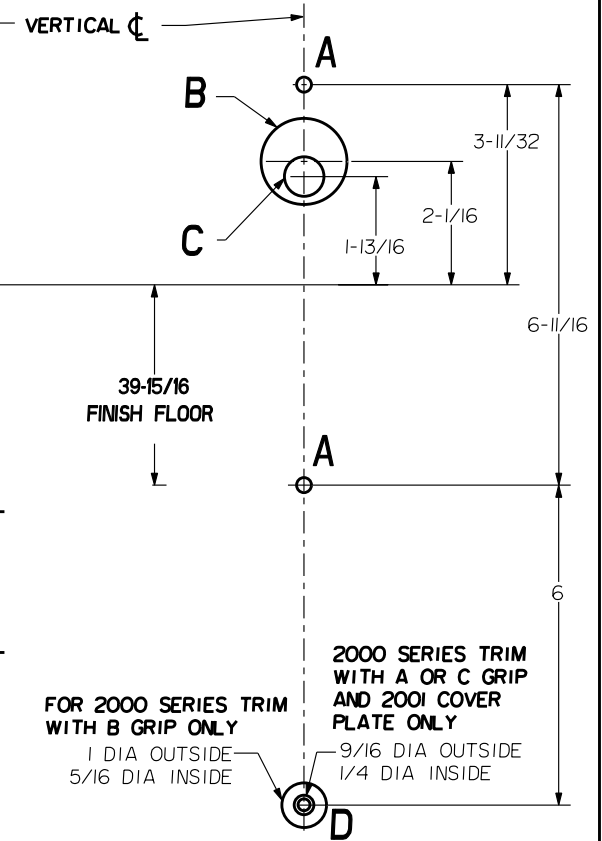


BACKSET SEE CHART BELOW

SINGLE DOOR WITH 5/8 STOP



LOCK STILE MACHINING



PRECISION HARDWARE INC.
WWW.PRECISIONHARDWARE.COM

STRIKE	APPLICATION	BACKSET	MIN. STILE	DIM X
S300 S301	SINGLE DOOR	1-15/16	2-7/8	1-7/16
	PAIR OF DOORS	2-3/8	3-1/4	
S458	SINGLE DOOR	1-11/16	2-5/8	1-3/16
	PAIR OF DOORS	2-1/8	3	

DEVICE SERIES		TRIM SERIES	
24, FL24		2000	
STRIKE NO.	RELEASED DATE	TEMPLATE NO.	REV
S300, S301, S458	04/01/03	HM-24C	A