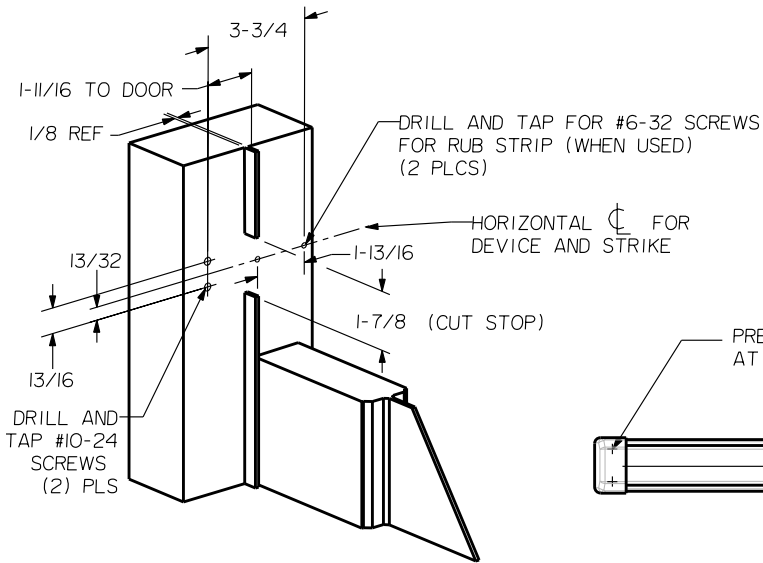


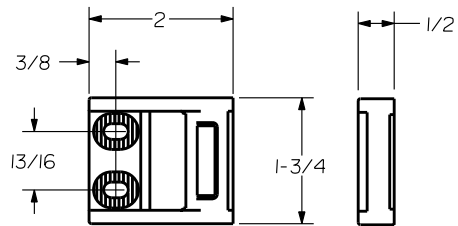
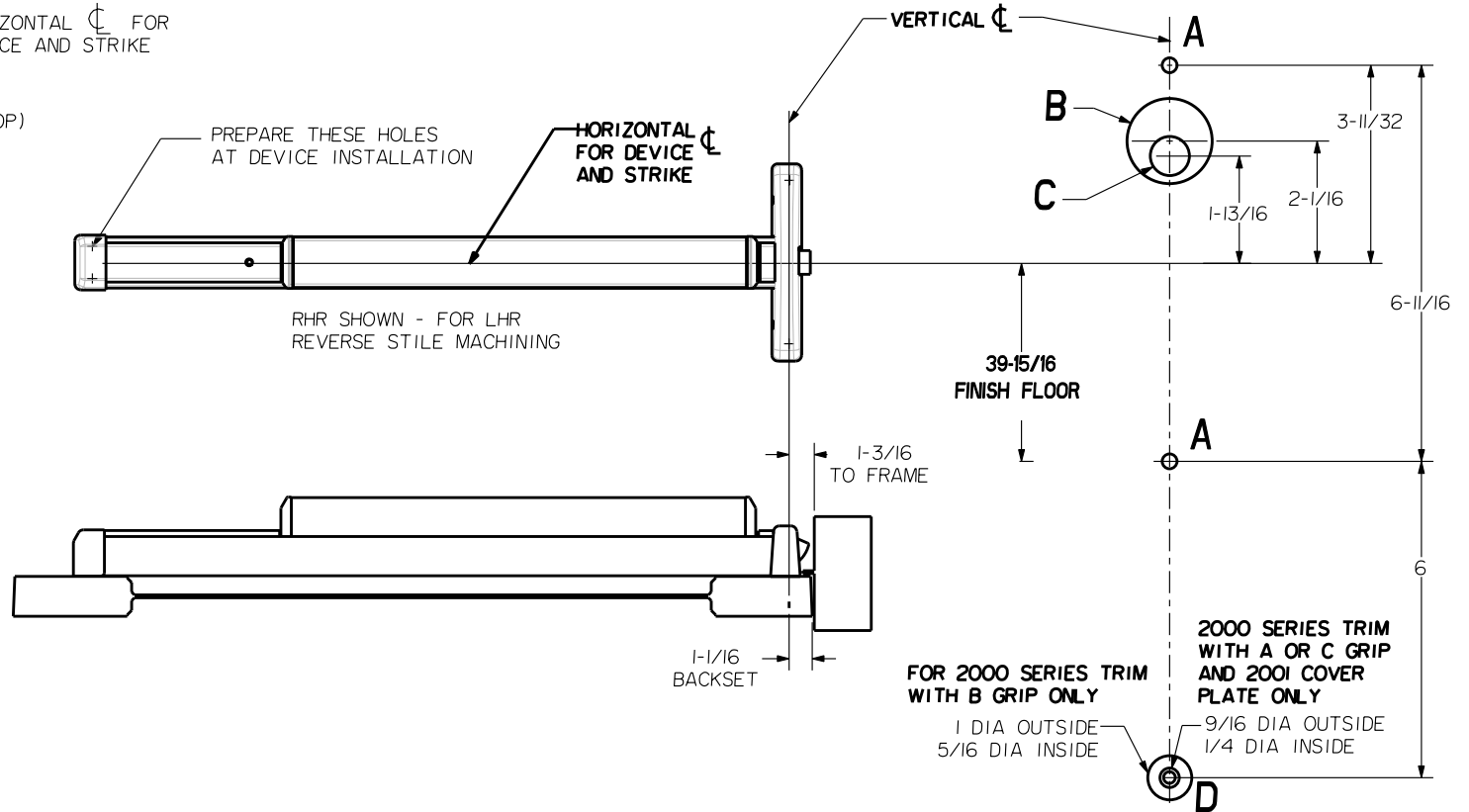
SEX BOLT MACHINING
 DRILL 1/4 DIA. INSIDE
 DRILL 5/16 DIA. OUTSIDE



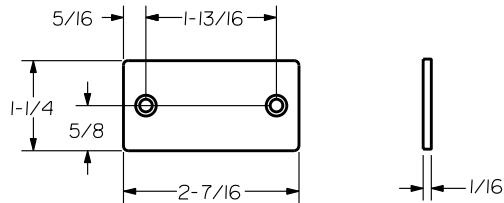
NOTE: "LETTER" AT END OF TRIM MODEL NO. DESIGNATES GRIP STYLE. EXCEPT AS NOTED, GRIP STYLE HAS NO EFFECT ON STILE MACHINING.

HOLE (2) PLS A	DEVICES	TRIMS	HOLE B	HOLE C
1/4 DIA INSIDE 13/32 DIA OUTSIDE	24	2001	NO	NO
		2002	1-3/8 DIA OUTSIDE	5/8 DIA. INSIDE
		2003		

LOCK STILE MACHINING



ROLLER STRIKE S988
STANDARD



RUB STRIP S454
(STANDARD)

ALUMINUM DOOR AND FRAME WITH BLADE OR APPLIED STOP		
MIN. STILE	DEVICE SIZE	DOOR WIDTH
1-3/4"	3'-0"	2'-6" TO 3'-0"
	4'-0"	3'-1" TO 4'-0"

PRECISION HARDWARE INC. WWW.PRECISIONHARDWARE.COM			
DEVICE SERIES		TRIM SERIES	
24		2000	
STRIKE NO.	RELEASED DATE	TEMPLATE NO.	REV
S988	04/01/03	AL-24C	A