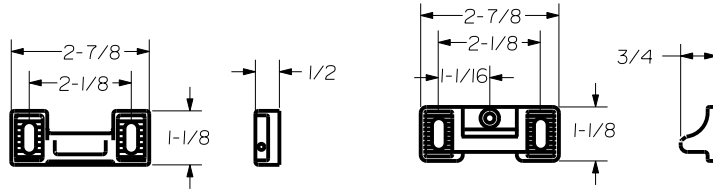


REINFORCEMENT REQUIREMENTS
 PROVIDE ADEQUATE REINFORCEMENT TO METAL COVERED COMPOSITE AND HOLLOW METAL DOORS FOR THE DRILLING AND TAPPING FOR THE MACHINE SCREWS.

SEX NUTS AND BOLTS
 SEX BOLTS ARE REQUIRED FOR PLASTIC, WOOD, METAL COVERED COMPOSITE AND HOLLOW METAL DOORS WITHOUT REINFORCEMENT

SEX BOLT MACHINING
 DRILL 1/4 DIA. INSIDE
 DRILL 3/8 DIA. OUTSIDE

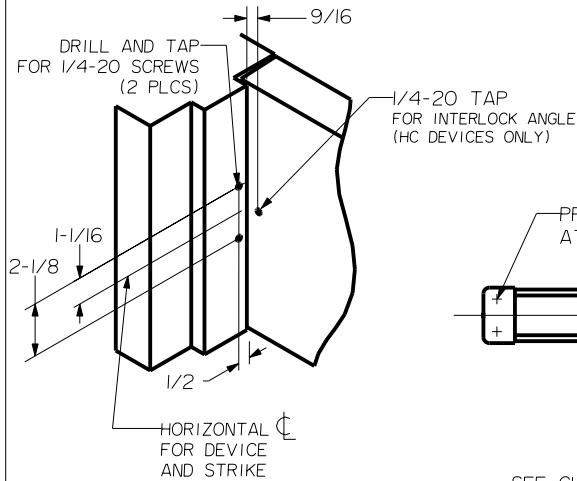
NOTE:
 "LETTER" AT END OF TRIM MODEL NO. DESIGNATES LEVER OR GRIP STYLE. EXCEPT AS NOTED, LEVER OR GRIP STYLE HAS NO EFFECT ON STILE MACHINING.



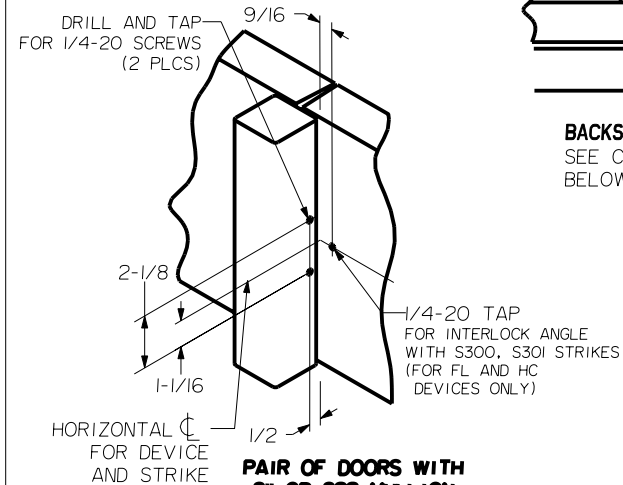
ROLLER STRIKE S458 (OPTIONAL)

STRIKE S300 (STANDARD)
 ROLLER STRIKE S30I (OPTIONAL)

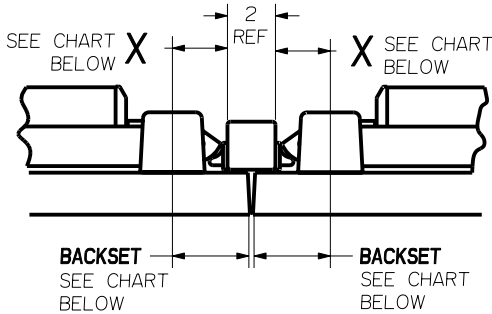
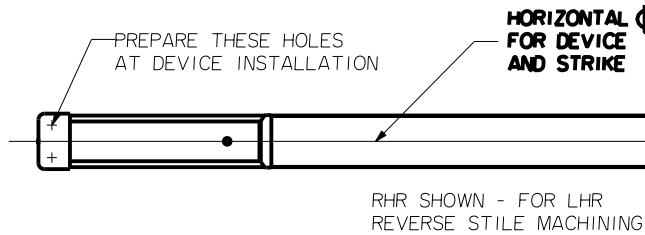
HOLE (4) PLS A	DEVICES	TRIMS	HOLE B	HOLE C
#10-24 TAP INSIDE ONLY	210I.FL210I	EXIT ONLY	NO	NO
	2103.FL2103	CYL ONLY	1-3/8 DIA INSIDE 1-3/16 DIA OUTSIDE	
1/4 DIA INSIDE 3/8 DIA OUTSIDE	210I.FL210I	170I,490I	NO	1-3/8 DIA THRU DOOR
	2102.FL2102	1702,4902		
	2103.FL2103	1703,4903		
	E2103.FLE2103	4908,V4908		
	2105.FL2105	1705		
	2108.FL2108	4908,V4908		
	2110.FL2110			
	2114.FL2114	4914		
2115.FL2115	1715	NO	1-3/4 DIA THRU DOOR	



SINGLE DOOR WITH 5/8 STOP

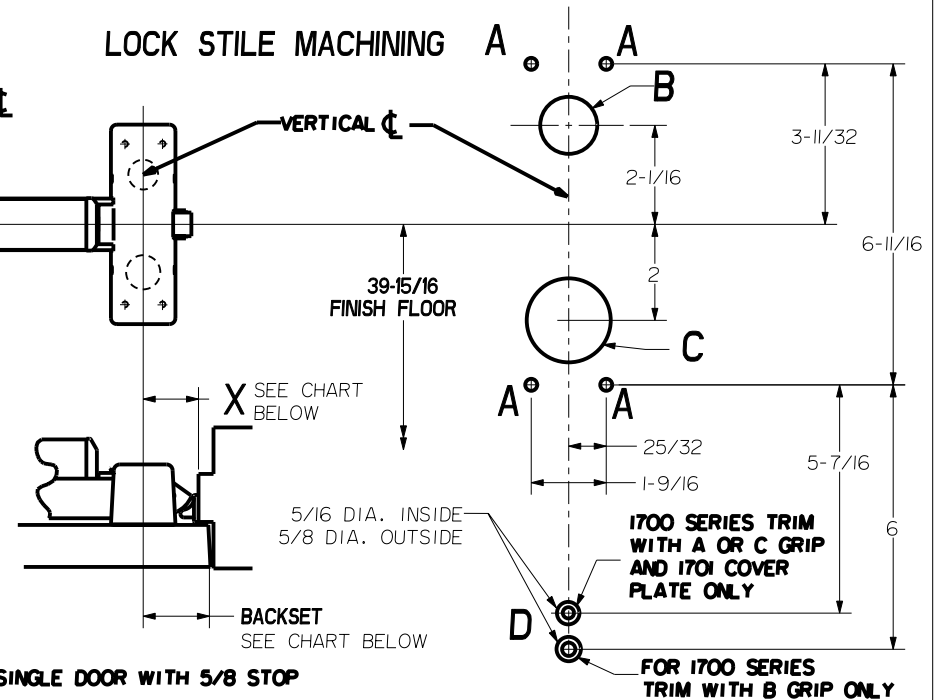


PAIR OF DOORS WITH 811 OR 822 MULLION



PAIR OF DOORS WITH 811 OR 822 MULLION

LOCK STILE MACHINING



SINGLE DOOR WITH 5/8 STOP

STRIKE	APPLICATION	BACKSET	MIN. STILE	DIM X
S300 S30I	SINGLE DOOR	2-3/4	4-1/4	2-1/4
	PAIR OF DOORS	3-1/8	4-5/8	
S458	SINGLE DOOR	2-9/16	4	2-1/16
	PAIR OF DOORS	2-15/16	4-3/8	

STANLEY
phi
 Precision Hardware
 a Division of Stanley Security Solutions, Inc.
 www.stanleysecuritysolutions.com

DEVICE SERIES		TRIM SERIES	
2100, FL2100		EXIT ONLY, CYL ONLY, 1700,4900	
STRIKE NO.	RELEASED DATE	TEMPLATE NO.	REV
S300, S30I, S458	5/1/05	HM-2100A	C