

REINFORCEMENT REQUIREMENTS

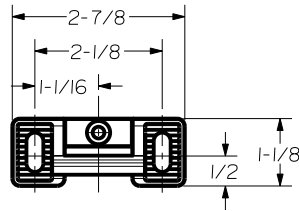
PROVIDE ADEQUATE REINFORCEMENT TO METAL COVERED COMPOSITE AND HOLLOW METAL DOORS FOR THE DRILLING AND TAPPING FOR THE MACHINE SCREWS.

SEX NUTS AND BOLTS

SEX BOLTS ARE REQUIRED FOR PLASTIC, WOOD, METAL COVERED COMPOSITE AND HOLLOW METAL DOORS WITHOUT REINFORCEMENT

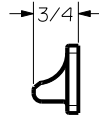
SEX BOLT MACHINING

DRILL 1/4 DIA. INSIDE
DRILL 3/8 DIA. OUTSIDE



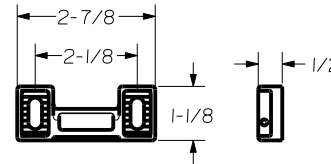
STRIKE S300 (STANDARD)

ROLLER STRIKE S30I (OPTIONAL)

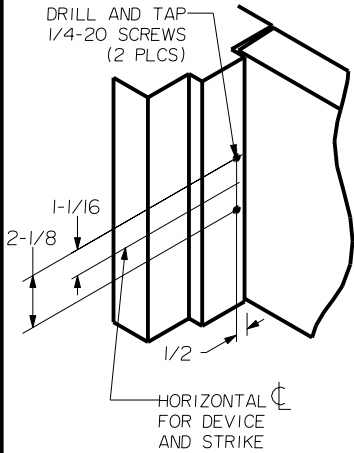


ROLLER STRIKE S458 (OPTIONAL)

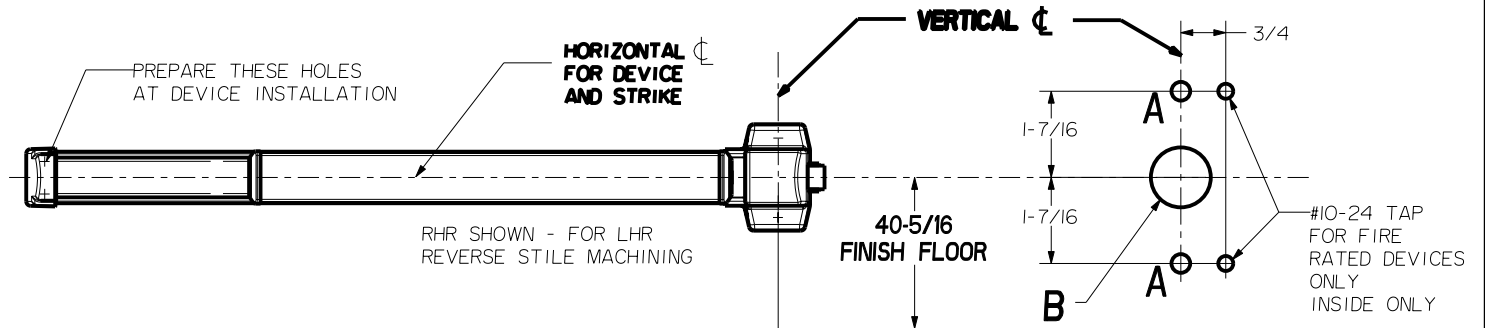
NOTE: FITS STOCK DOORS WITH ANSI A115.17 (16I) AND ANSI A115.18 CUT-OUTS. REQUIRE TRIM THRU BOLT HOLES AT DEVICE INSTALLATION.



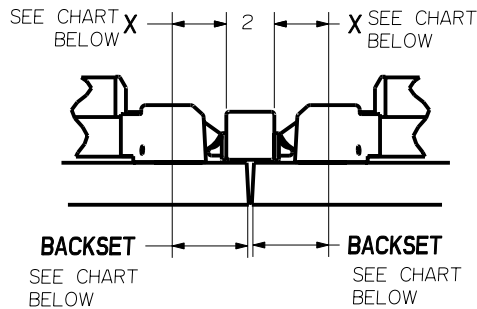
DEVICES	TRIMS	HOLE A (2) PLS	HOLE B
5108,FL5108	808	5/16 DIA THRU DOOR	1" DIA. THRU DOOR
5114,FL5114	814		



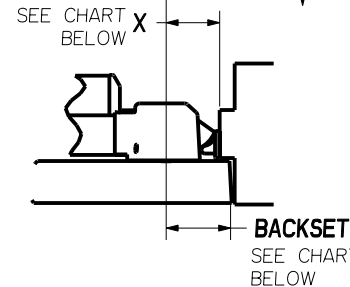
SINGLE DOOR WITH 5/8 STOP



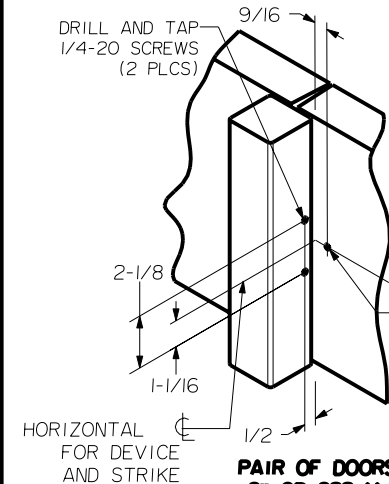
LOCK STILE MACHINING



**PAIR OF DOORS WITH
811 OR 822 MULLION**



SINGLE DOOR WITH 5/8 STOP



**PAIR OF DOORS WITH
811 OR 822 MULLION**

STRIKE	APPLICATION	BACKSET	MIN. STILE	DIM X
S300 S30I	SINGLE DOOR	2-3/4	4-1/2	2-1/4
	PAIR OF DOORS	3-1/8	4-7/8	
S458	SINGLE DOOR	2-9/16	4-1/4	2-1/16
	PAIR OF DOORS	2-15/16	4-5/8	

<p>Precision Hardware a Division of Stanley Security Solutions, Inc. www.stanleysecuritysolutions.com</p>			
DEVICE SERIES		TRIM SERIES	
5100, FL5100		808,814	
STRIKE NO.	RELEASED DATE	TEMPLATE NO.	REV
S300, S30I ,S458	5/01/05	HM-5100B	C