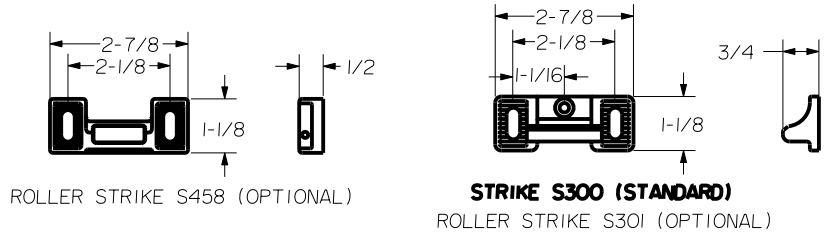


**REINFORCEMENT REQUIREMENTS**  
 PROVIDE ADEQUATE REINFORCEMENT TO METAL COVERED COMPOSITE AND HOLLOW METAL DOORS FOR THE DRILLING AND TAPPING FOR THE MACHINE SCREWS.

**SEX NUTS AND BOLTS**  
 SEX BOLTS ARE REQUIRED FOR PLASTIC, WOOD, METAL COVERED COMPOSITE AND HOLLOW METAL DOORS WITHOUT REINFORCEMENT

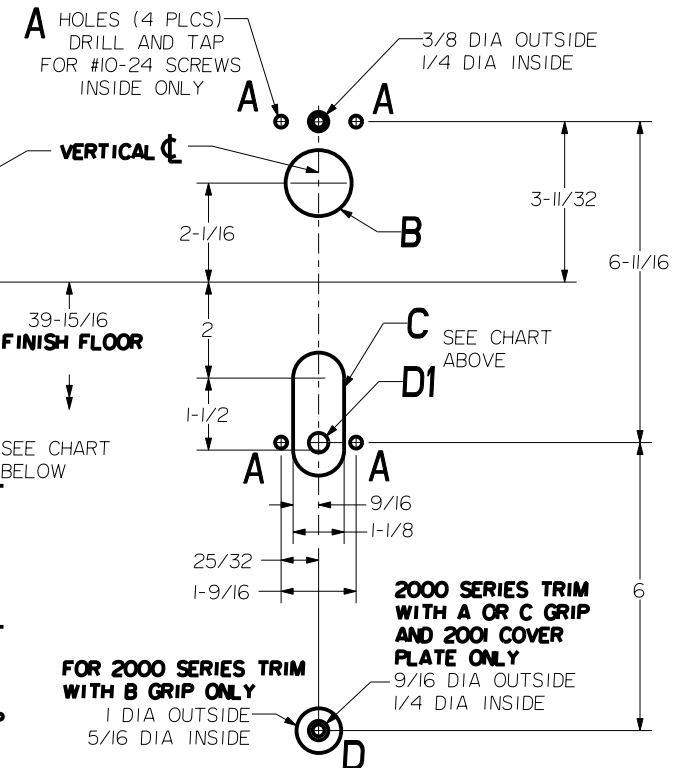
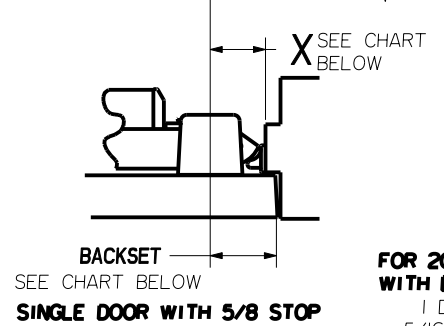
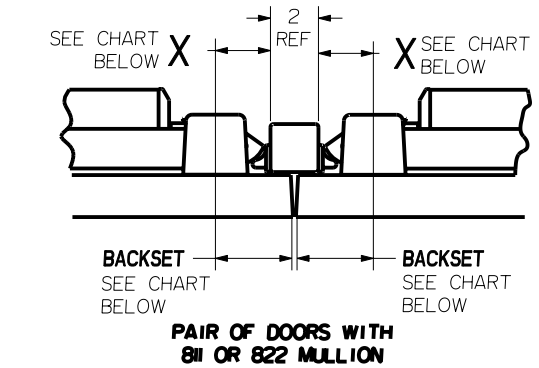
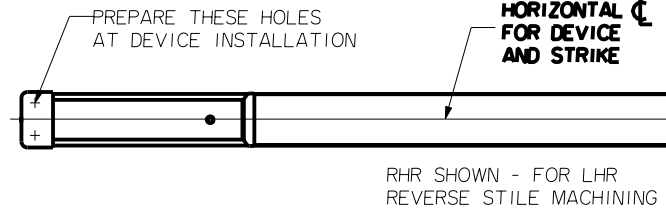
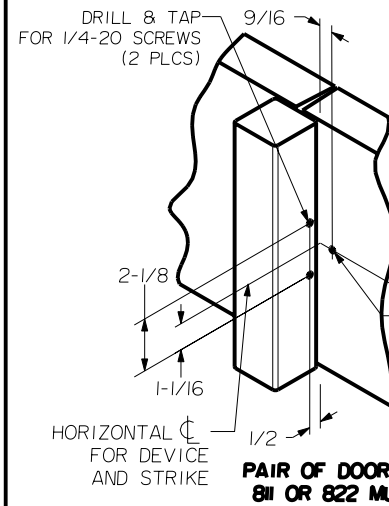
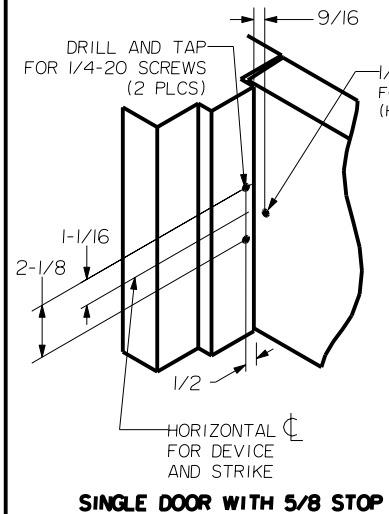
**SEX BOLT MACHINING**  
 DRILL 1/4 DIA. INSIDE  
 DRILL 3/8 DIA. OUTSIDE

NOTE:  
 "LETTER" AT END OF TRIM MODEL NO. DESIGNATES GRIP STYLE. EXCEPT AS NOTED, GRIP STYLE HAS NO EFFECT ON STILE MACHINING.



DEVICES	TRIMS	HOLE B 1-3/8 DIA THRU DOOR	SLOT C THRU DOOR	D1
2101.FL2101	2001	NO	NO	3/8 DIA OUTSIDE 1/4 DIA INSIDE
2102.FL2102	2002			
2103.FL2103	2003			
E2103.FLE2103	2005	YES	YES	NO
2108.FL2108				
2110.FL2110				
2115.FL2115	2015	NO		

**LOCK STILE MACHINING**



STRIKE	APPLICATION	BACKSET	MIN. STILE	DIM X
S300 S301	SINGLE DOOR	2-3/4	4-1/4	2-1/4
	PAIR OF DOORS	3-1/8	4-5/8	
S458	SINGLE DOOR	2-9/16	4	2-1/16
	PAIR OF DOORS	2-15/16	4-3/8	

**STANLEY**  
**phi**  
 Precision Hardware  
 a Division of Stanley Security Solutions, Inc.  
 www.stanleysecuritysolutions.com

DEVICE SERIES		TRIM SERIES	
2100, FL2100		2000	
STRIKE NO.	RELEASED DATE	TEMPLATE NO.	REV
S300, S301, S458	5/1/05	HM-2100B	C