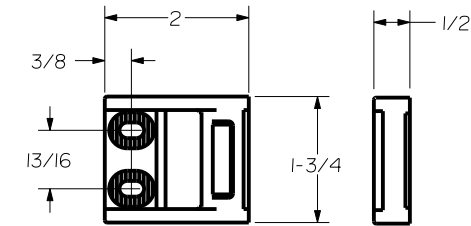
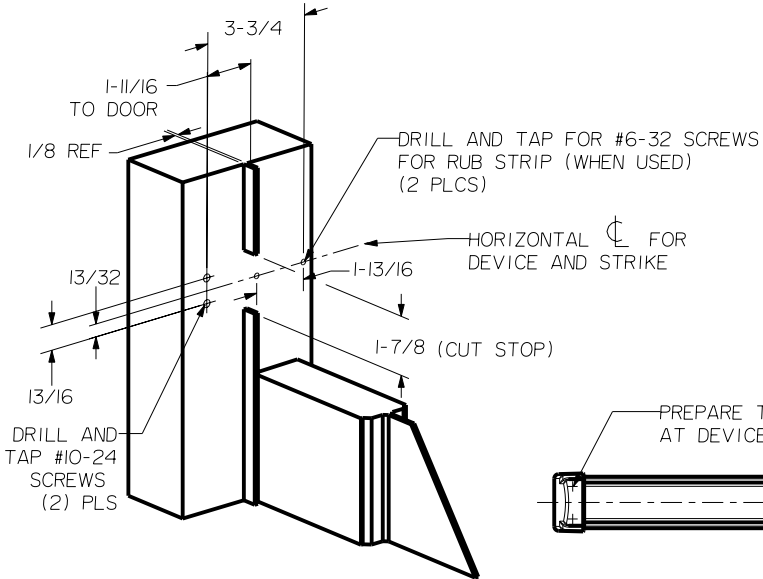
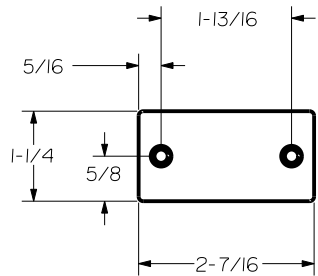


SEX BOLT MACHINING

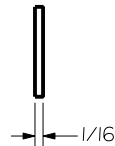
DRILL 1/4 DIA. INSIDE
DRILL 3/8 DIA. OUTSIDE



ROLLER STRIKE S988 (STANDARD)

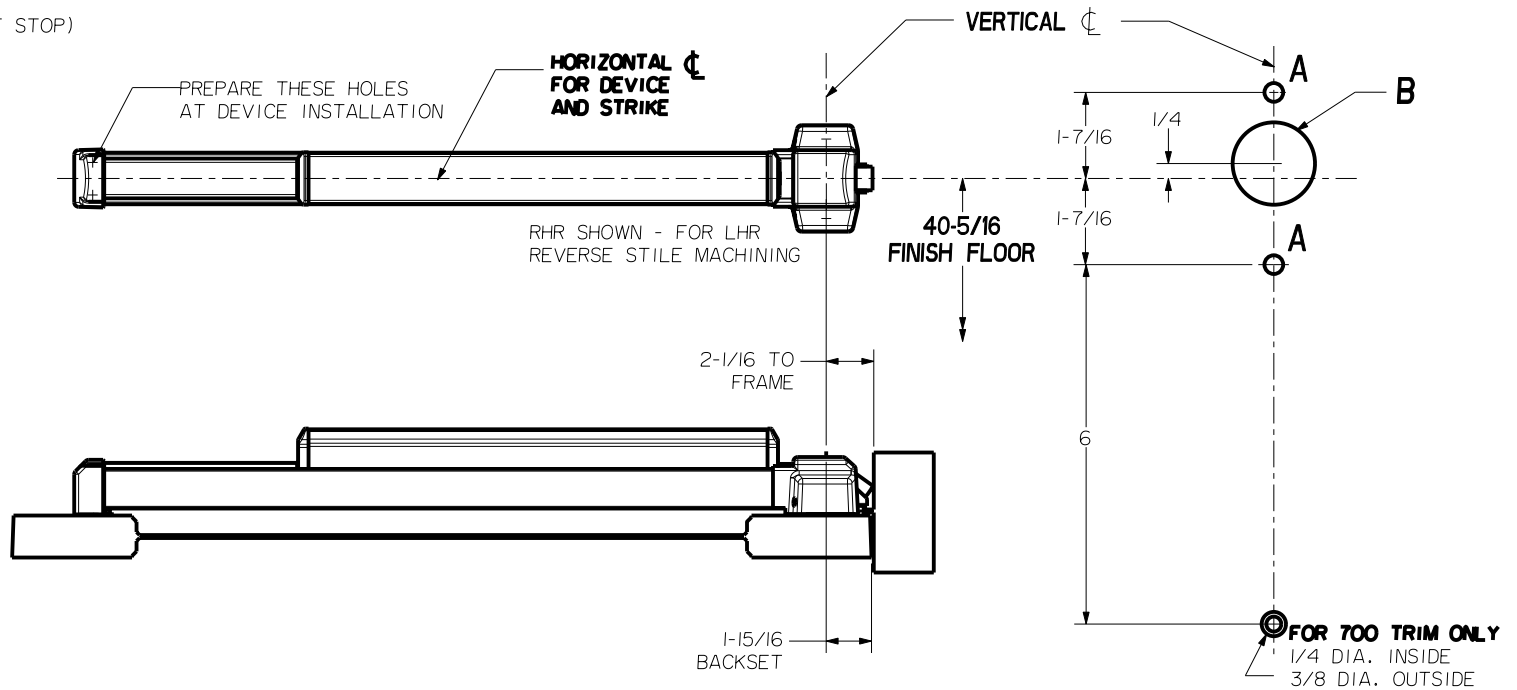


RUB STRIP S454 (STANDARD)



DEVICES	TRIMS	HOLE (2) PLS A	HOLE B
501	EXIT ONLY	#10-24 TAP INSIDE ONLY	NO
503	CYL ONLY		1-3/16 DIA. OUTSIDE 1-3/8 DIA. INSIDE
501	501	5/16 DIA. THRU	NO
502	602		1-3/8 DIA THRU
503	603		NO
502	702		1-3/8 DIA THRU
503	703		

LOCK STILE MACHINING



ALUMINUM DOOR AND FRAME WITH BLADE OR APPLIED STOP		
MIN. STILES	DEVICE SIZE	DOOR WIDTH
3-3/4"	3'-0"	2'-6" TO 2'-11"
	4'-0"	3'-0" TO 3'-11"
4-1/4" OR FLUSH DOOR	3'-0"	2'-7" TO 3'-0"
	4'-0"	3'-1" TO 4'-0"

STANLEY
phi
Precision Hardware
a Division of Stanley Security Solutions, Inc.
www.stanleysecuritysolutions.com

DEVICE SERIES		TRIM SERIES	
5100		EXIT ONLY, CYL ONLY 501, 602, 603, 702, 703	
STRIKE NO.	RELEASED DATE	TEMPLATE NO.	REV
S988	5/01/05	AL-5100A	C