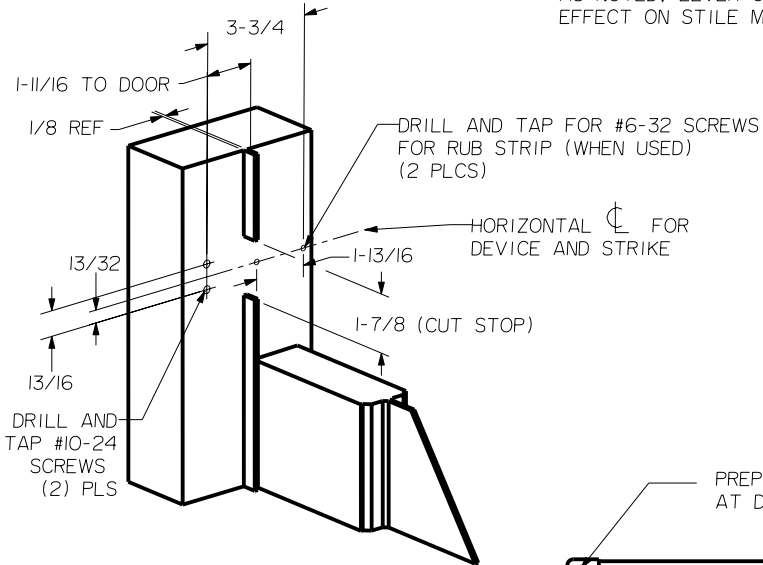


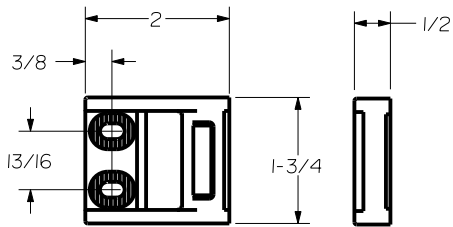
SEX BOLT MACHINING

DRILL 1/4 DIA. INSIDE
DRILL 3/8 DIA. OUTSIDE

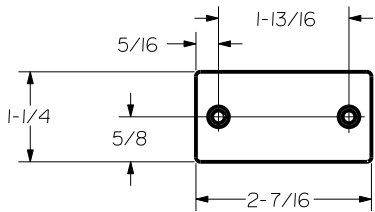
NOTE: "LETTER" AT END OF TRIM MODEL NO. DESIGNATES LEVER OR GRIP STYLE. EXCEPT AS NOTED, LEVER OR GRIP STYLE HAS NO EFFECT ON STILE MACHINING.



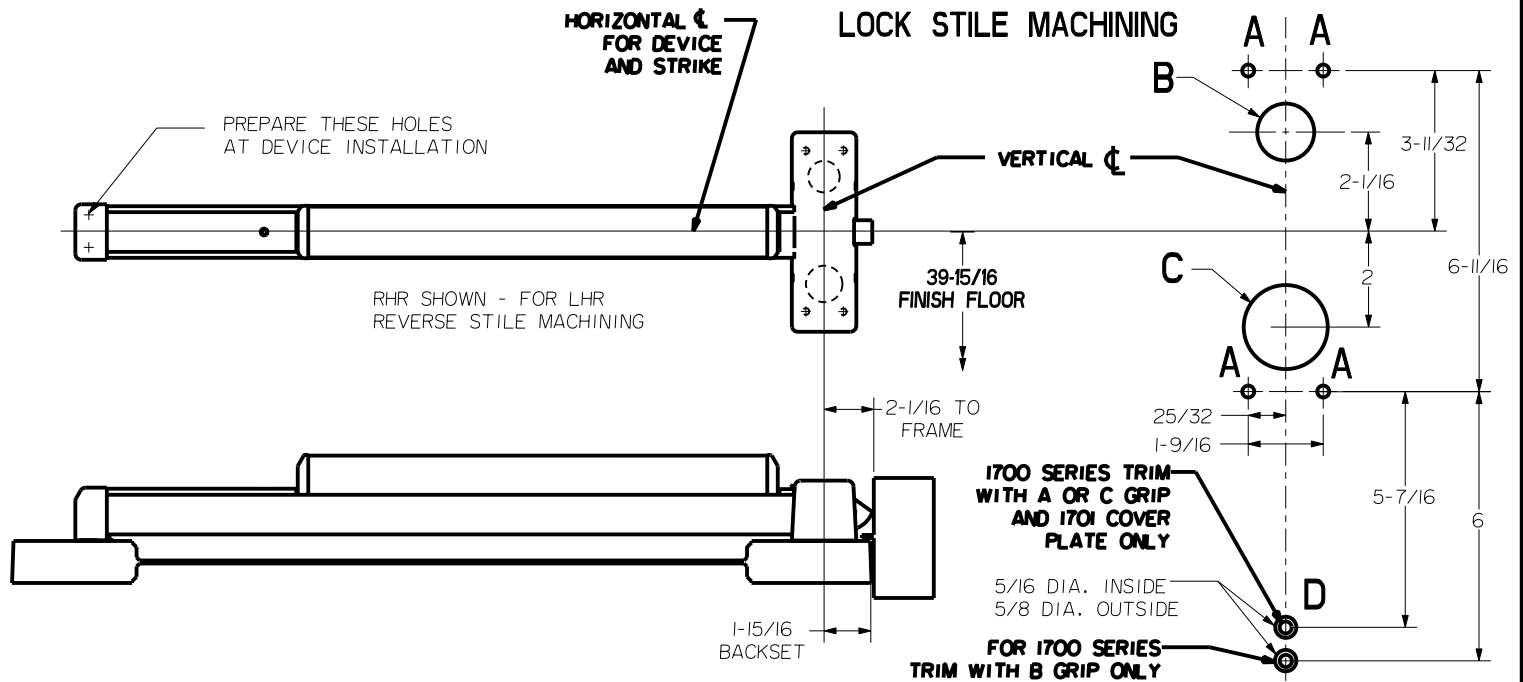
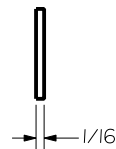
DRILL AND TAP #10-24 SCREWS (2) PLS



ROLLER STRIKE S988 (STANDARD)



RUB STRIP S454 (STANDARD)



HOLE (4) PLS A	DEVICES	TRIMS	HOLE B	HOLE C
#10-24 TAP INSIDE ONLY	2101	EXIT ONLY	NO	NO
	2103	CYL ONLY	1-3/8 DIA INSIDE 1-3/16 DIA OUTSIDE	
1/4 DIA INSIDE 3/8 DIA OUTSIDE	2101	1701, 4901	NO	1-3/4 DIA THRU DOOR
	2102	1702, 4902		
	2103	1703, 4903		
	E2103	4908, V4908		
	2105	1705		
	2108	4908, V4908		
	2110			
2114	4914	NO		
2115	1715			

ALUMINUM DOOR AND FRAME WITH BLADE OR APPLIED STOP		
MIN. STILES	DEVICE SIZE	DOOR WIDTH
3-1/2"	3'-0"	2'-6" TO 2'-11"
	4'-0"	3'-0" TO 3'-11"
4-1/4" OR FLUSH DOOR	3'-0"	2'-7" TO 3'-0"
	4'-0"	3'-1" TO 4'-0"

STANLEY **phi** Precision Hardware
a Division of Stanley Security Solutions, Inc.
www.stanleysecuritysolutions.com

DEVICE SERIES		TRIM SERIES	
2100		EXIT ONLY, CYL ONLY, 1700, 4900	
STRIKE NO.	RELEASED DATE	TEMPLATE NO.	REV
S988	5/1/05	AL-2100A	C