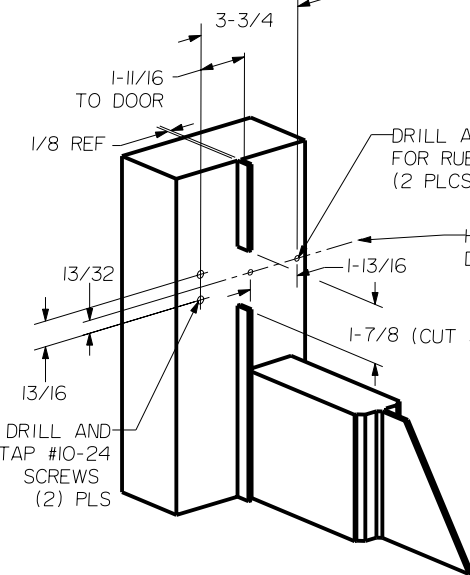


SEX BOLT MACHINING

DRILL 1/4 DIA. INSIDE
DRILL 3/8 DIA. OUTSIDE



DRILL AND TAP FOR #6-32 SCREWS FOR RUB STRIP (WHEN USED) (2 PLCS)

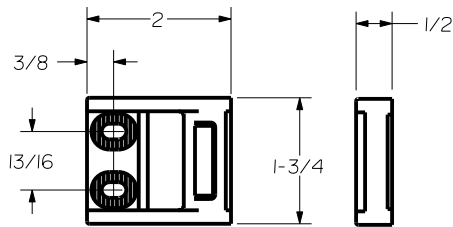
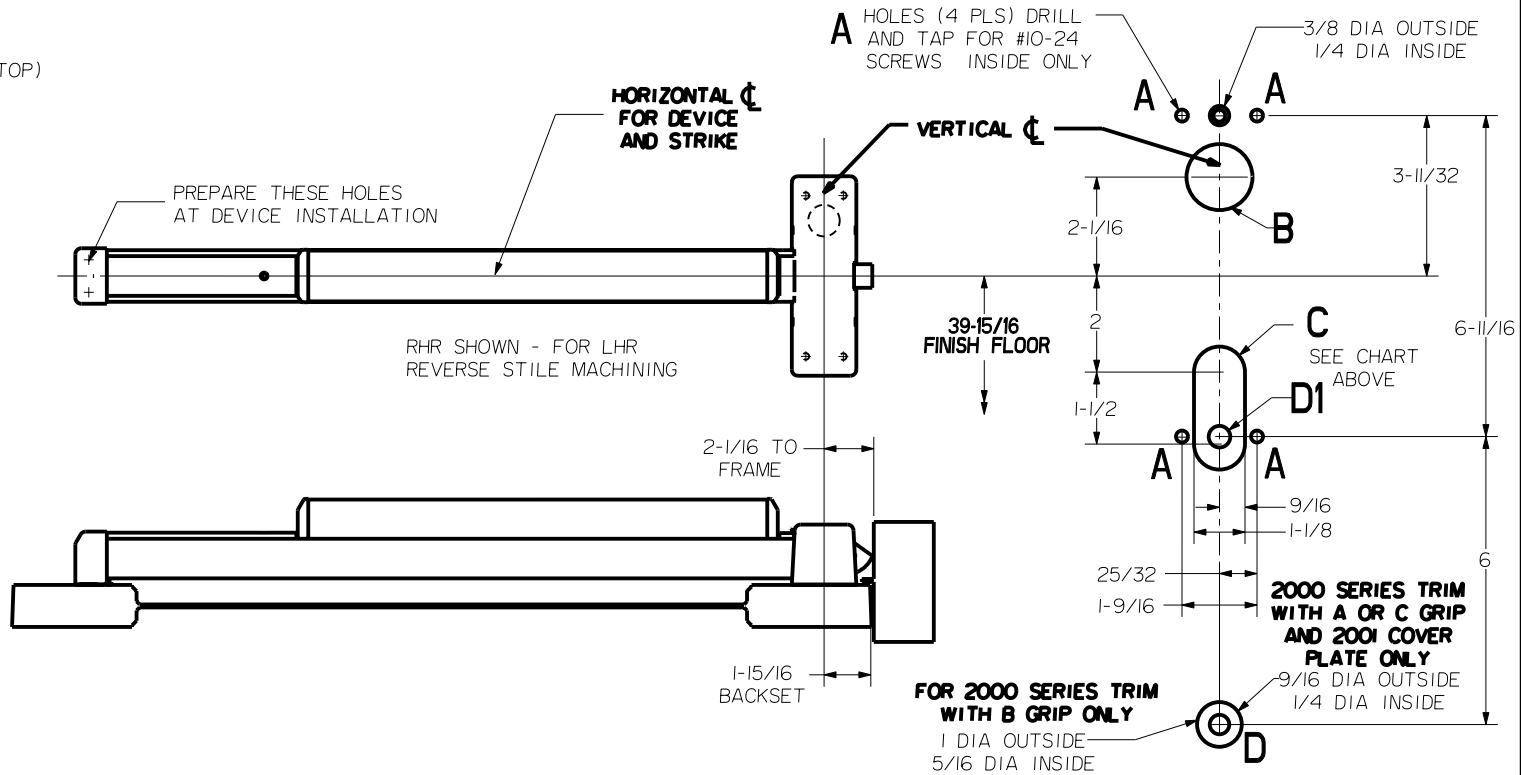
HORIZONTAL ϕ FOR DEVICE AND STRIKE

DRILL AND TAP #10-24 SCREWS (2) PLS

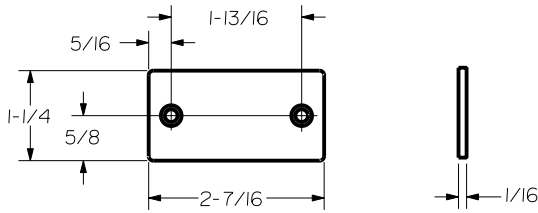
NOTE: "LETTER" AT END OF TRIM MODEL NO. DESIGNATES GRIP STYLE. EXCEPT AS NOTED, GRIP STYLE HAS NO EFFECT ON STILE MACHINING.

DEVICES	TRIMS	HOLE B 1-3/8 DIA. THRU DOOR	HOLE C THRU DOOR	D1
2101	2001	NO	NO	3/8 DIA OUTSIDE 1/4 DIA INSIDE
2102	2002			
2103	2003			
E2103	2005	YES	YES	NO
2108				
2110				
2115	2015	NO		

LOCK STILE MACHINING



ROLLER STRIKE S988 (STANDARD)



RUB STRIP S454 (STANDARD)

ALUMINUM DOOR AND FRAME WITH BLADE OR APPLIED STOP		
MIN. STILES	DEVICE SIZE	DOOR WIDTH
3-1/2"	3'-0"	2'-6" TO 2'-11"
	4'-0"	3'-0" TO 3'-11"
4-1/4 OR FLUSH DOOR	3'-0"	2'-7" TO 3'-0"
	4'-0"	3'-1" TO 4'-0"

STANLEY
phi
Precision Hardware
a Division of Stanley Security Solutions, Inc.
www.stanleysecuritysolutions.com

DEVICE SERIES		TRIM SERIES	
2100		2000	
STRIKE NO.	RELEASED DATE	TEMPLATE NO.	REV
S988	5/1/05	AL-2100B	C