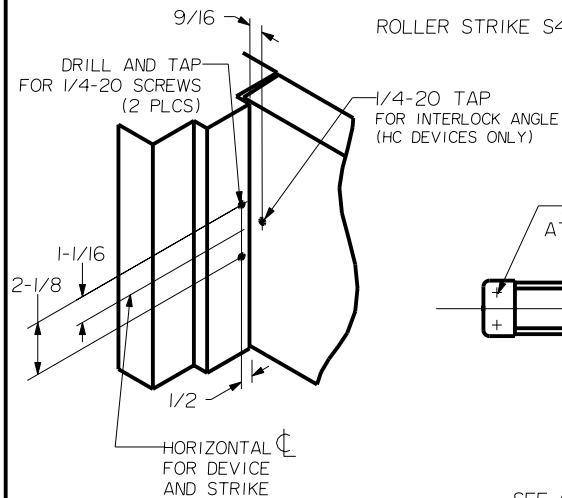


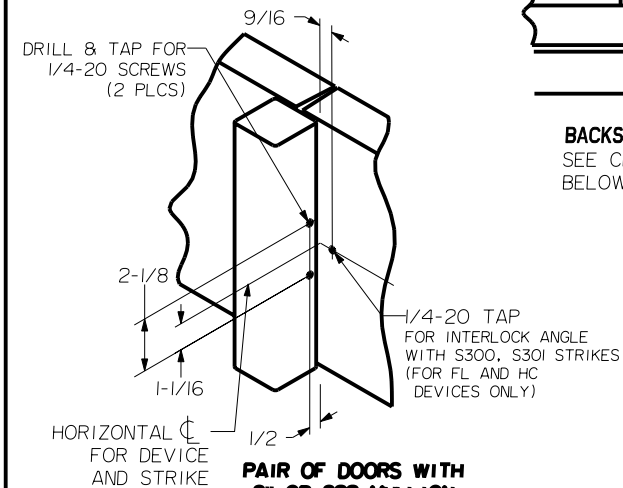
**REINFORCEMENT REQUIREMENTS**  
 PROVIDE ADEQUATE REINFORCEMENT TO METAL COVERED COMPOSITE AND HOLLOW METAL DOORS FOR THE DRILLING AND TAPPING FOR THE MACHINE SCREWS.

**SEX NUTS AND BOLTS**  
 SEX BOLTS ARE REQUIRED FOR PLASTIC, WOOD, METAL COVERED COMPOSITE AND HOLLOW METAL DOORS WITHOUT REINFORCEMENT

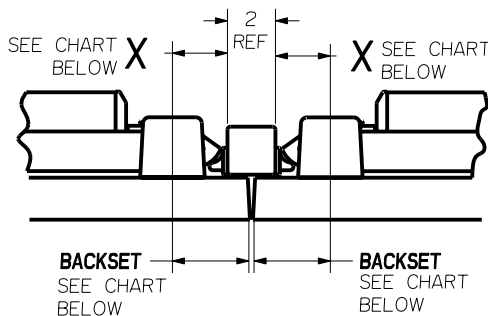
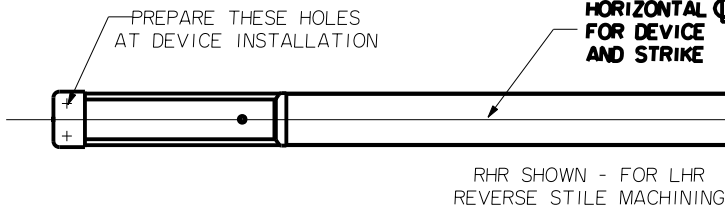
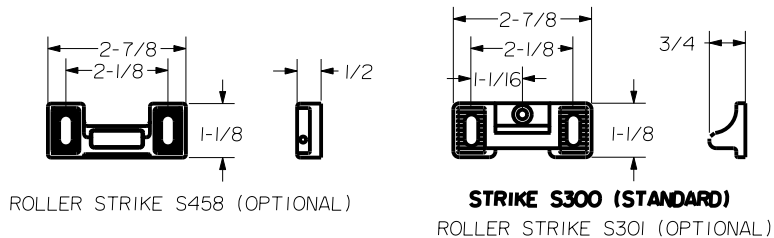
**SEX BOLT MACHINING**  
 DRILL 1/4 DIA. INSIDE  
 DRILL 3/8 DIA. OUTSIDE



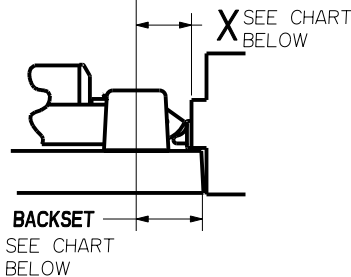
**SINGLE DOOR WITH 5/8 STOP**



**PAIR OF DOORS WITH 811 OR 822 MULLION**



**PAIR OF DOORS WITH 811 OR 822 MULLION**

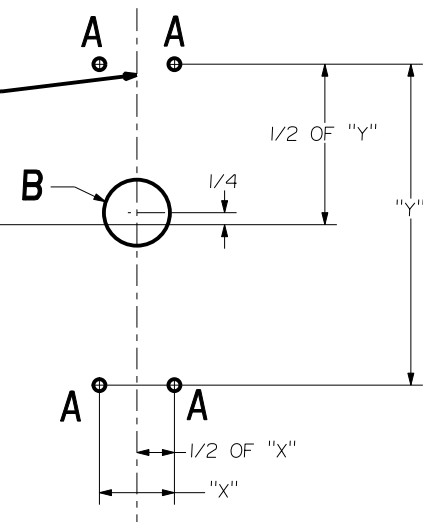


**SINGLE DOOR WITH 5/8 STOP**

HOLE (4) PLS	<b>A</b>	<b>DEVICES</b>	<b>TRIMS</b>	HOLE <b>B</b>
#10-24 TAP INSIDE ONLY		<b>21, FL21</b>	CYL ONLY	1-3/16 DIA. OUTSIDE 1-3/8 DIA. INSIDE
1/4 DIA INSIDE		<b>21, FL21</b>	SEE TRIM INSTRUCTIONS	1" DIA. MIN.

NOTE: THIS DEVICE IS COMPATIBLE WITH OTHER MANUFACTURERS ACCESS CONTROL EXTERIOR TRIM. REFER TO INSTRUCTIONS FOR MOUNTING OF TRIM.

**LOCK STILE MACHINING**



"X" DIM	"Y" DIM
1-9/16"	6-11/16"
ALTERNATE HOLES	
1-3/8"	7"

STRIKE	APPLICATION	BACKSET	MIN. STILE	DIM X
S300 S301	SINGLE DOOR	2-3/4	4-1/4	2-1/4
	PAIR OF DOORS	3-1/8	4-5/8	
S458	SINGLE DOOR	2-9/16	4	2-1/16
	PAIR OF DOORS	2-15/16	4-3/8	

**STANLEY**  
**phi**  
**Precision Hardware**  
 a Division of Stanley Security Solutions, Inc.  
 www.stanleysecuritysolutions.com

DEVICE SERIES		TRIM SERIES	
21, FL21		CYL ONLY, OTHER TRIM	
STRIKE NO.	RELEASED DATE	TEMPLATE NO.	REV
S300, S301, S458	5/1/05	HM-21A	C