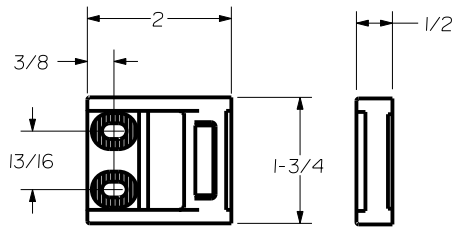
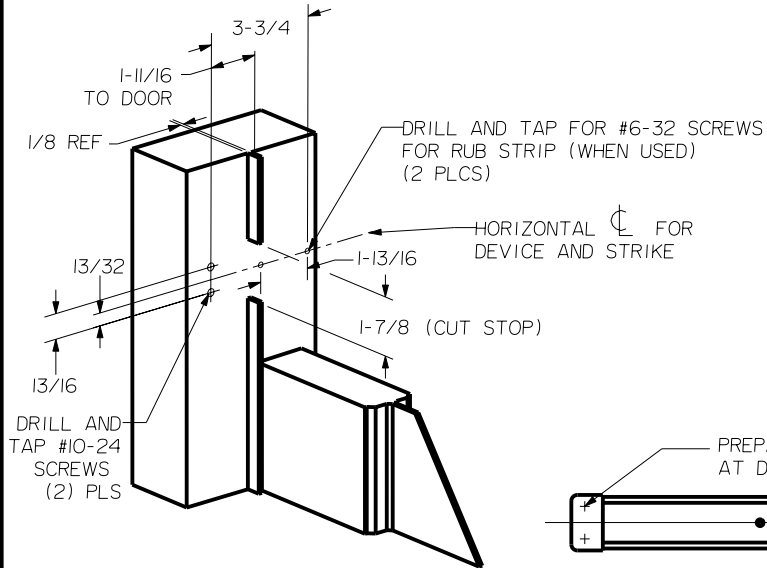
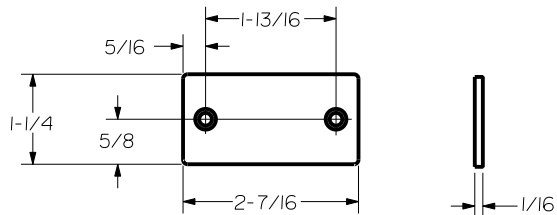


SEX BOLT MACHINING

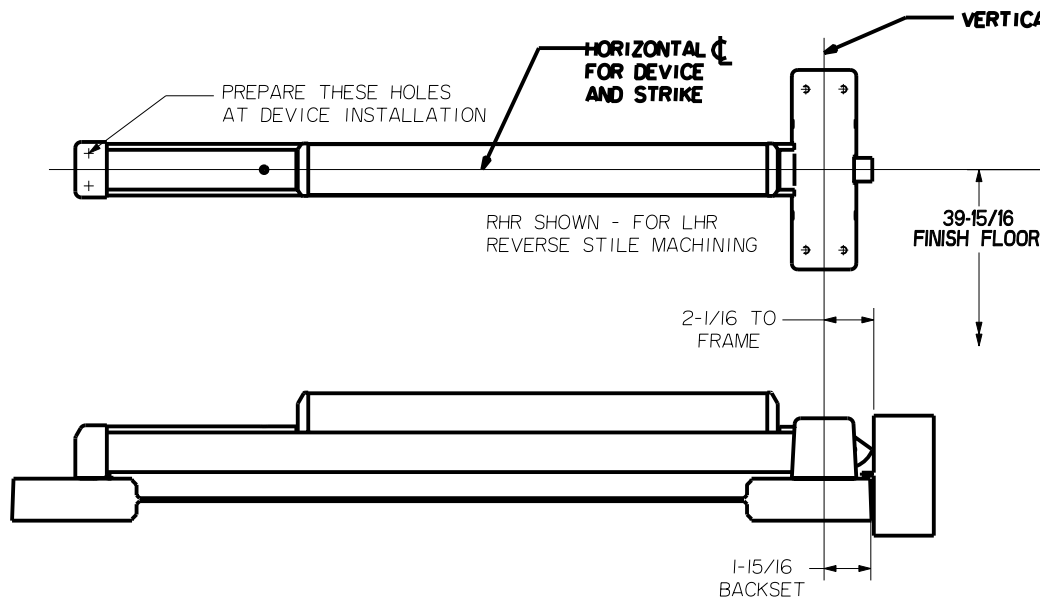
DRILL 1/4 DIA. INSIDE
DRILL 3/8 DIA. OUTSIDE



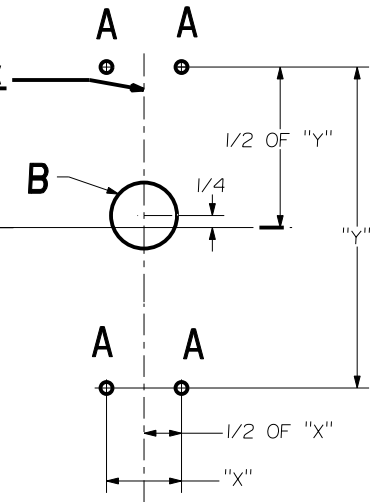
ROLLER STRIKE S988 (STANDARD)



RUB STRIP S454 (STANDARD)



LOCK STILE MACHINING




"X" DIM	"Y" DIM
1-9/16"	6-11/16"
ALTERNATE HOLES	
1-3/8"	7"

HOLE (4) PLS A	DEVICES	TRIMS	HOLE B
#10-24 TAP INSIDE ONLY	21	CYL ONLY	1-3/16 DIA. OUTSIDE 1-3/8 DIA. INSIDE
1/4 DIA INSIDE	21	SEE TRIM INSTRUCTIONS	1" DIA. MIN.

NOTE: THIS DEVICE IS COMPATIBLE WITH OTHER MANUFACTURERS ACCESS CONTROL EXTERIOR TRIM. REFER TO INSTRUCTIONS FOR MOUNTING OF TRIM.

ALUMINUM DOOR AND FRAME WITH BLADE OR APPLIED STOP		
MIN. STILES	DEVICE SIZE	DOOR WIDTH
3-1/2"	3'-0"	2'-6" TO 2'-11"
	4'-0"	3'-0" TO 3'-11"
4-1/4 OR FLUSH DOOR	3'-0"	2'-7" TO 3'-0"
	4'-0"	3'-1" TO 4'-0"

 Precision Hardware a Division of Stanley Security Solutions, Inc. www.stanleysecuritysolutions.com			
DEVICE SERIES		TRIM SERIES	
21		CYL ONLY, OTHER TRIM	
STRIKE NO.	RELEASED DATE	TEMPLATE NO.	REV
S998	5/01/05	AL-21A	C