

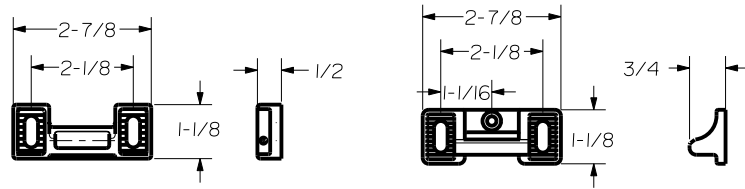
REINFORCEMENT REQUIREMENTS
 PROVIDE ADEQUATE REINFORCEMENT TO METAL COVERED COMPOSITE AND HOLLOW METAL DOORS FOR THE DRILLING AND TAPPING OF THE MACHINE SCREWS.

SEX NUTS AND BOLTS
 SEX BOLTS ARE REQUIRED FOR PLASTIC, WOOD, METAL COVERED COMPOSITE AND HOLLOW METAL DOORS WITHOUT REINFORCEMENT

SEX BOLT MACHING
 DRILL 1/4 DIA. INSIDE
 DRILL 3/8 DIA. OUTSIDE

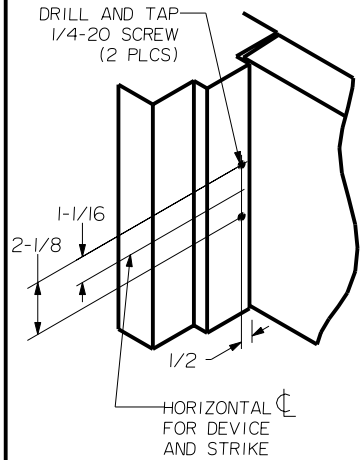
NOTE: "LETTER" AT END OF TRIM MODEL NO. DESIGNATES LEVER STYLE. EXCEPT AS NOTED, LEVER STYLE HAS NO EFFECT ON STILE MACHINING.

DEVICES	TRIMS	HOLE (2) PLS A	HOLE B	HOLE C
2408.FL2408	2908	1/4 DIA INSIDE 13/32 DIA OUTSIDE	YES	5/8 DIA INSIDE 1-3/8 DIA OUTSIDE
2414.FL2414	2914		NOT REQ'D	

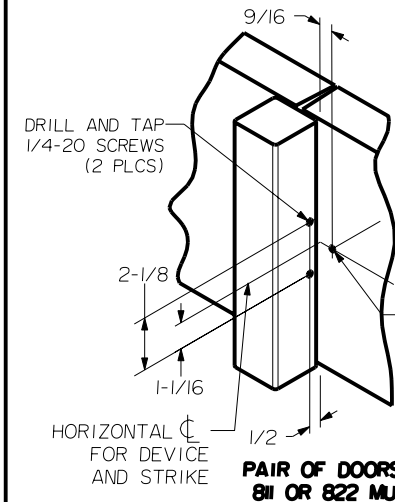


ROLLER STRIKE S458 (STANDARD)

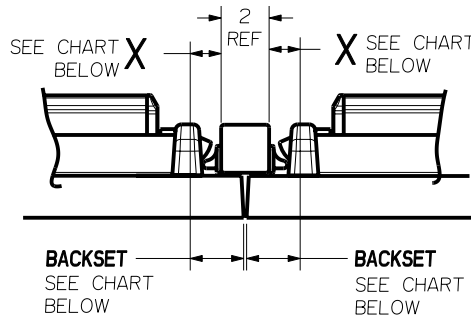
STRIKE S300 (OPTIONAL)
 ROLLER STRIKE S30I (OPTIONAL)



SINGLE DOOR WITH 5/8 STOP

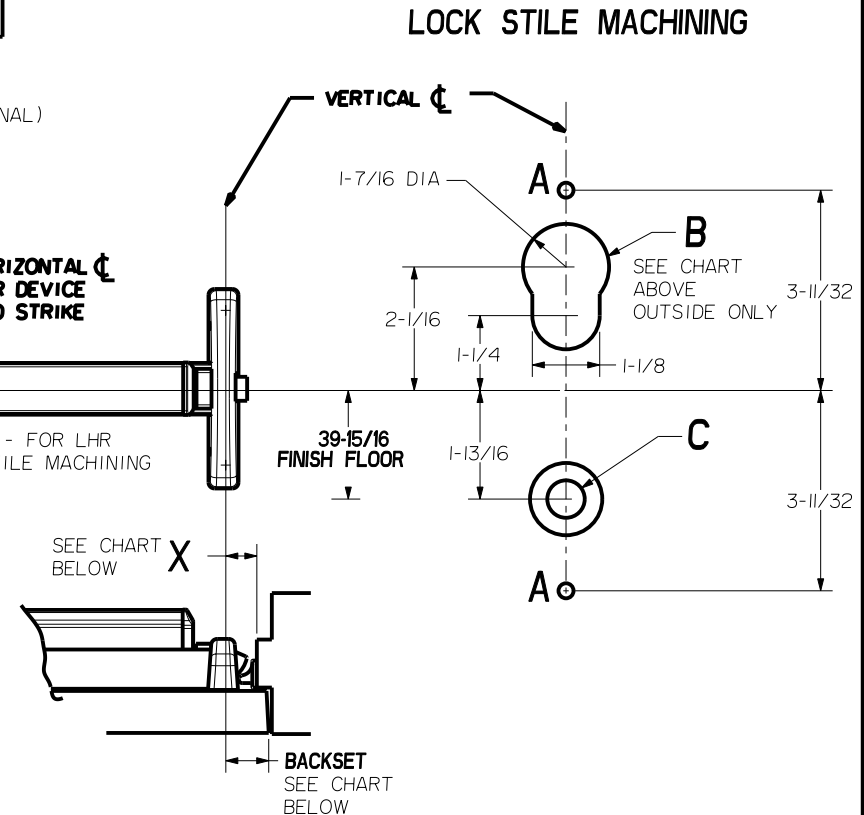
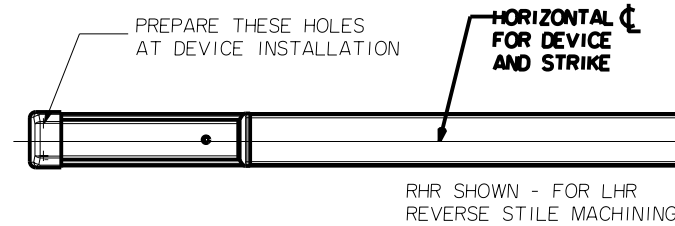


PAIR OF DOORS WITH 811 OR 822 MULLION



PAIR OF DOORS WITH 811 OR 822 MULLION

STRIKE	APPLICATION	BACKSET	MIN. STILE	DIM X
S300 S30I	SINGLE DOOR	1-15/16	2-7/8	1-7/16
	PAIR OF DOORS	2-3/8	3-1/4	
S458	SINGLE DOOR	1-11/16	2-5/8	1-3/16
	PAIR OF DOORS	2-1/8	3	



LOCK STILE MACHINING

SINGLE DOOR WITH 5/8 STOP

STANLEY phi Precision Hardware a Division of Stanley Security Solutions, Inc. www.stanleysecuritysolutions.com				
DEVICE SERIES			TRIM SERIES	
2400, FL2400			2908, 2914	
STRIKE NO.	RELEASED DATE	TEMPLATE NO.	REV	
S300, S30I, S458	5/01/05	HM-2400B	C	