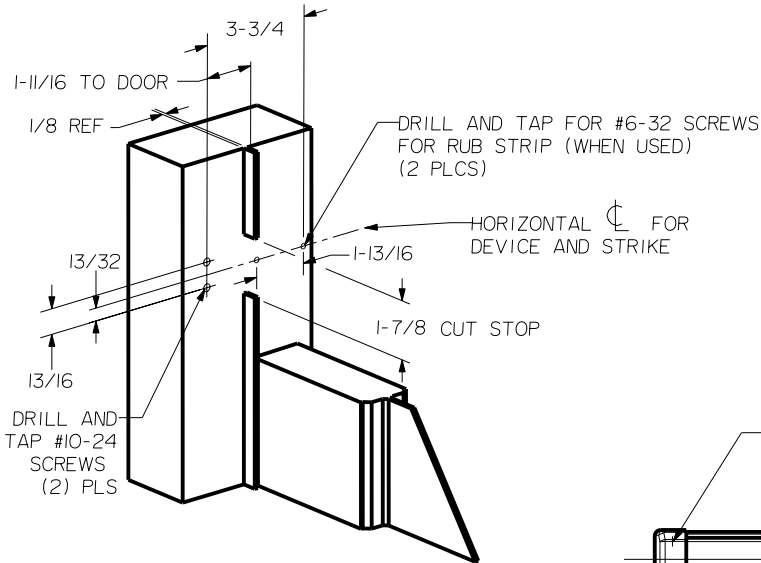


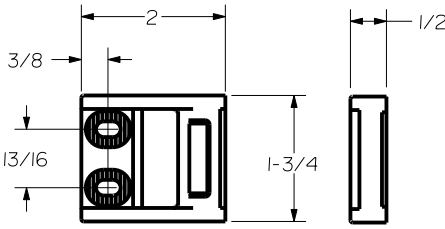
SEX BOLT MACHINING

DRILL 1/4 DIA. INSIDE
DRILL 3/8 DIA. OUTSIDE

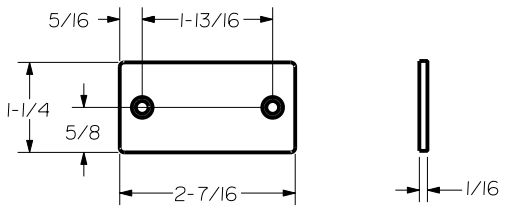
NOTE: "LETTER" AT END OF TRIM MODEL NO. DESIGNATES LEVER STYLE. EXCEPT AS NOTED, LEVER STYLE HAS NO EFFECT ON STILE MACHINING.



DRILL AND TAP #10-24 SCREWS (2) PLS



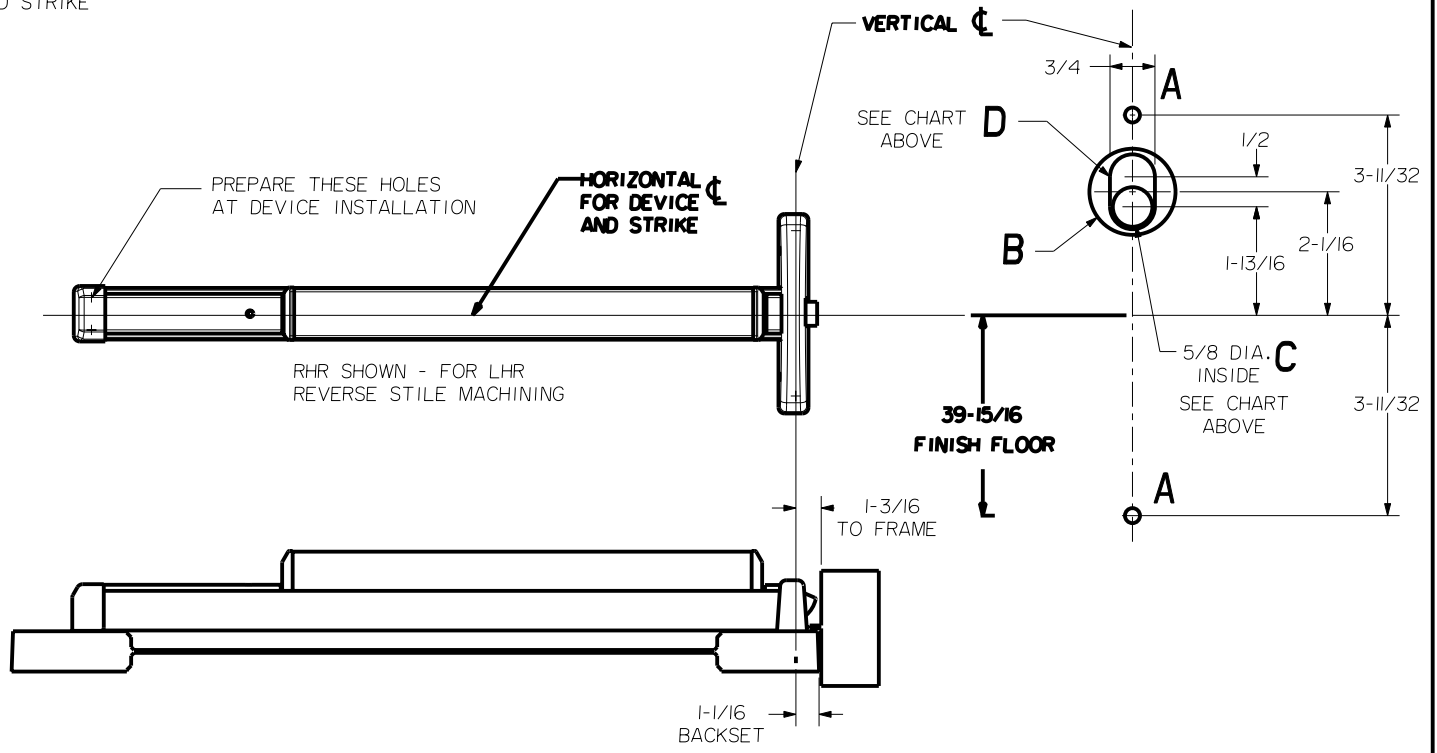
ROLLER STRIKE S988 STANDARD



RUB STRIP S454 (STANDARD)

HOLE (2) PLS A	DEVICES	TRIMS	HOLE B	HOLE C	SLOT D
#10-24 TAP INSIDE ONLY	2401	EXIT ONLY	NO	NO	NO
	2403	CYL ONLY	1-3/16 DIA. OUTSIDE		3/4 SLOT INSIDE
1/4 DIA INSIDE 13/32 DIA OUTSIDE	2401	2901	NO	YES	NO
	2402	2902			
	2403	2903	1-7/16 DIA OUTSIDE		

LOCK STILE MACHINING



RHR SHOWN - FOR LHR REVERSE STILE MACHINING

		Precision Hardware a Division of Stanley Security Solutions, Inc. www.stanleysecuritysolutions.com	
ALUMINUM DOOR AND FRAME WITH BLADE OR APPLIED STOP		DEVICE SERIES	TRIM SERIES
MIN. STILE	DEVICE SIZE	DOOR WIDTH	2400
1-3/4"	3'-0"	2'-6" TO 3'-0"	EXIT ONLY, CYL ONLY, 2901, 2902, 2903
	4'-0"	3'-1" TO 4'-0"	STRIKE NO. RELEASED DATE TEMPLATE NO. REV
			S988 5/01/05 AL-2400A C