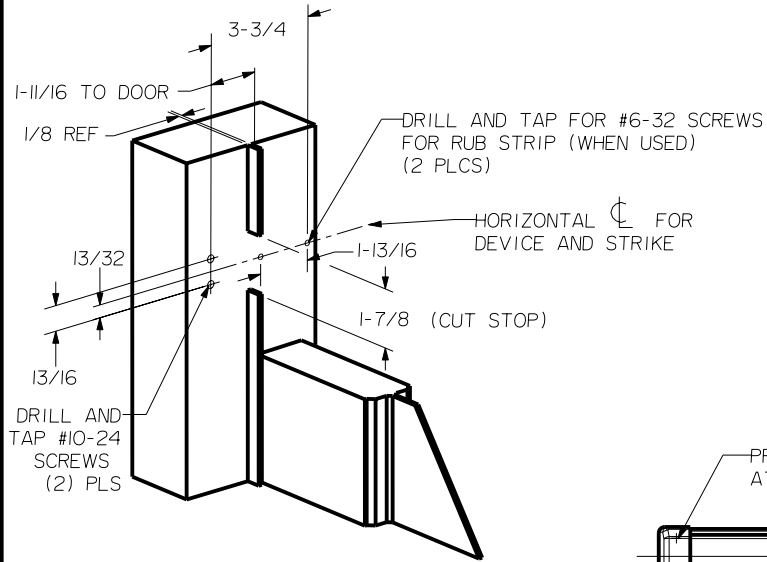


SEX BOLT MACHINING

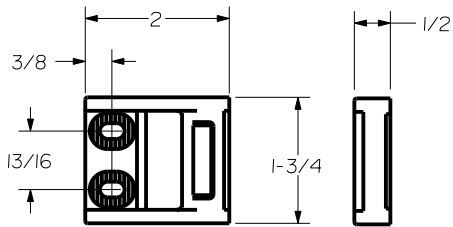
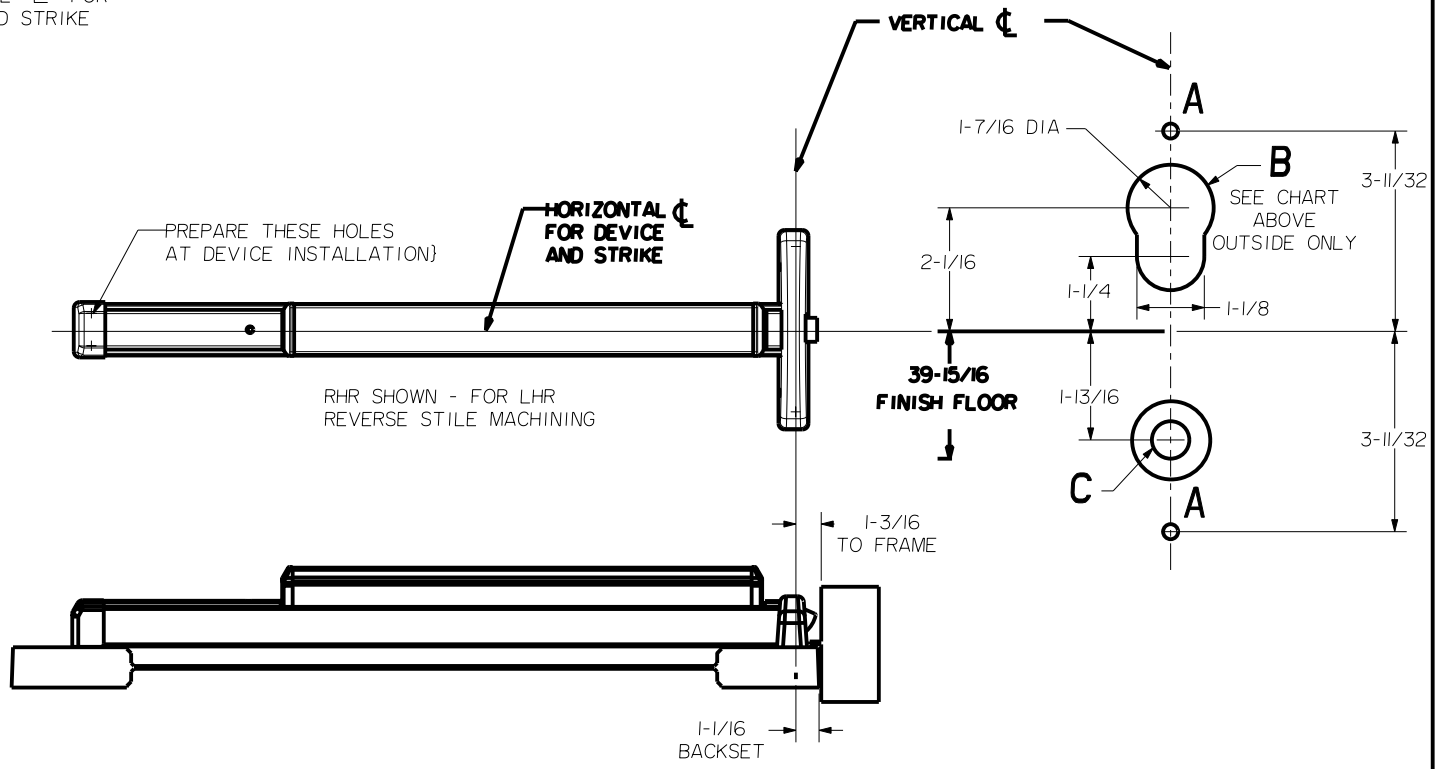
DRILL 1/4 DIA. INSIDE
DRILL 3/8 DIA. OUTSIDE



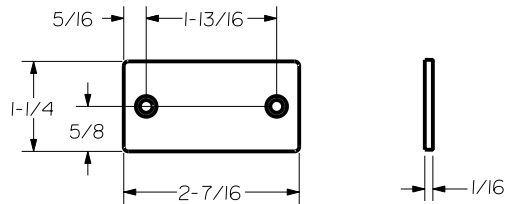
NOTE: "LETTER" AT END OF TRIM MODEL NO. DESIGNATES LEVER STYLE. EXCEPT AS NOTED, LEVER STYLE HAS NO EFFECT ON STILE MACHINING.

DEVICES	TRIMS	HOLE (2) PLS A	HOLE B	HOLE C
2408	2908	1/4 DIA INSIDE 13/32 DIA OUTSIDE	YES	5/8 DIA INSIDE 1-3/8 DIA OUTSIDE
2414	2914		NOT REQ'D	

LOCK STILE MACHINING




ROLLER STRIKE S988 STANDARD



RUB STRIP S454 (STANDARD)

ALUMINUM DOOR AND FRAME WITH BLADE OR APPLIED STOP		
MIN. STILE	DEVICE SIZE	DOOR WIDTH
1-3/4"	3'-0"	2'-6" TO 3'-0"
	4'-0"	3'-1" TO 4'-0"

 Precision Hardware a Division of Stanley Security Solutions, Inc. www.stanleysecuritysolutions.com			
DEVICE SERIES		TRIM SERIES	
2400		2908,2914	
STRIKE NO.	RELEASED DATE	TEMPLATE NO.	REV
S988	5/01/05	AL-2400B	C