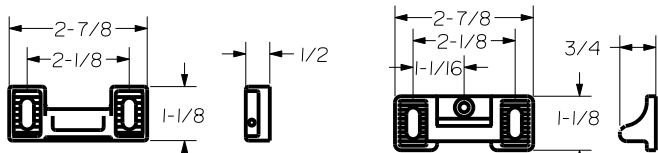


REINFORCEMENT REQUIREMENTS
 PROVIDE ADEQUATE REINFORCEMENT TO METAL COVERED COMPOSITE AND HOLLOW METAL DOORS FOR THE DRILLING AND TAPPING OF THE MACHINE SCREWS.

SEX NUTS AND BOLTS
 SEX BOLTS ARE REQUIRED FOR PLASTIC, WOOD, METAL COVERED COMPOSITE AND HOLLOW METAL DOORS WITHOUT REINFORCEMENT

SEX BOLT MACHINING
 DRILL 1/4 DIA. INSIDE
 DRILL 3/8 DIA. OUTSIDE

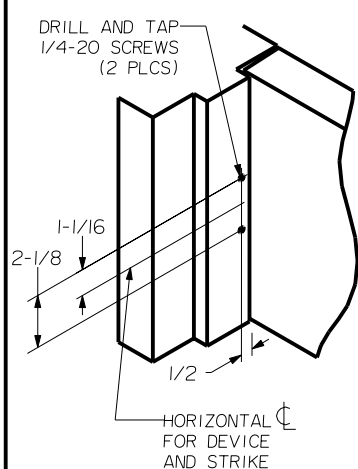
NOTE: "LETTER" AT END OF TRIM MODEL NO. DESIGNATES LEVER OR GRIP STYLE. EXCEPT AS NOTED, LEVER OR GRIP STYLE HAS NO EFFECT ON STILE MACHINING.



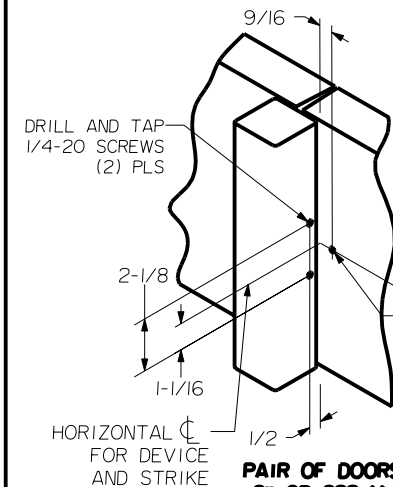
ROLLER STRIKE S458 (OPTIONAL)

STRIKE S300 (STANDARD)
 ROLLER STRIKE S301 (OPTIONAL)

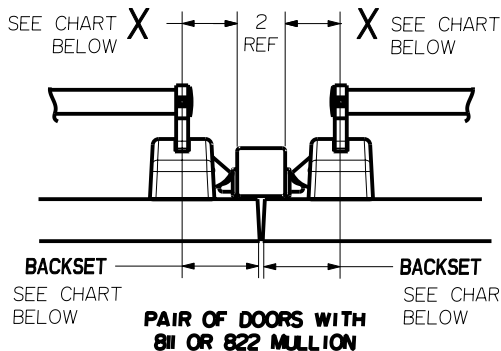
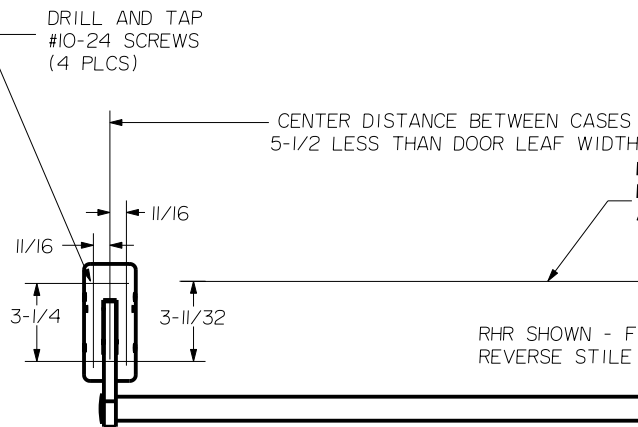
HOLE (4) PLS	A	DEVICES	TRIMS	HOLE B	HOLE C
#10-24 TAP INSIDE ONLY		I01,FLI01,RI01,FLRI01	EXIT ONLY	NO	NO
		I03,FLI03,RI03,FLRI03	CYL ONLY	1-3/8 DIA INSIDE 1-3/16 DIA OUTSIDE	
1/4 DIA INSIDE 3/8 DIA OUTSIDE		I01,FLI01,RI01,FLRI01	1701,4901	NO	THRU DOOR
		I02,FLI02,RI02,FLRI02	1702,4902		
		I03,FLI03,RI03,FLRI03	1703,4903		
		I05,FLI05,RI05,FLRI05	Y1705	1-3/8 DIA THRU DOOR	
		I08,FLI08,RI08,FLRI08	Y4908,YV4908		
		I14,FLI14,RI14,FLRI14	Y4914		
		I15,FLI15,RI15,FLRI15	Y1715	NO	



SINGLE DOOR WITH 5/8 STOP

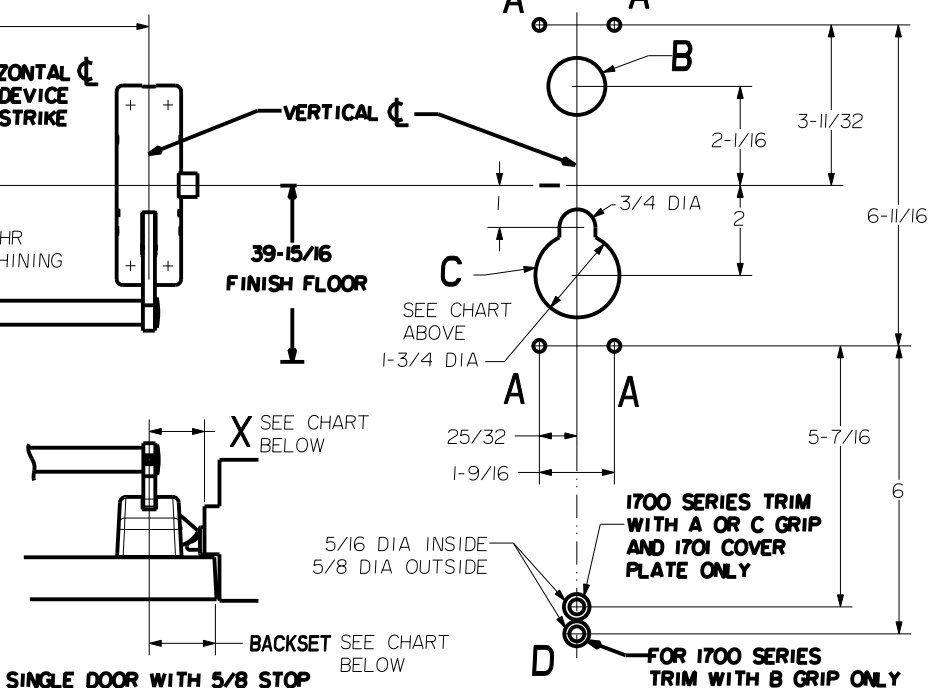


PAIR OF DOORS WITH 811 OR 822 MULLION



PAIR OF DOORS WITH 811 OR 822 MULLION

LOCK STILE MACHINING



SINGLE DOOR WITH 5/8 STOP

STRIKE	APPLICATION	BACKSET	MIN. STILE	DIM X
S300 S301	SINGLE DOOR	2-3/4	4-1/4	2-1/4
	PAIR OF DOORS	3-1/8	4-5/8	
S458	SINGLE DOOR	2-9/16	4	2-1/16
	PAIR OF DOORS	2-15/16	4-3/8	

STANLEY
phi
 Precision Hardware
 a Division of Stanley Security Solutions, Inc.
 www.stanleysecuritysolutions.com

DEVICE SERIES		TRIM SERIES	
100,FL100,RI00,FLRI00		EXIT ONLY, CYL ONLY, 1700,4900	
STRIKE NO.	RELEASED DATE	TEMPLATE NO.	REV
S300, S301, S458	5/01/05	HM-100A	C