

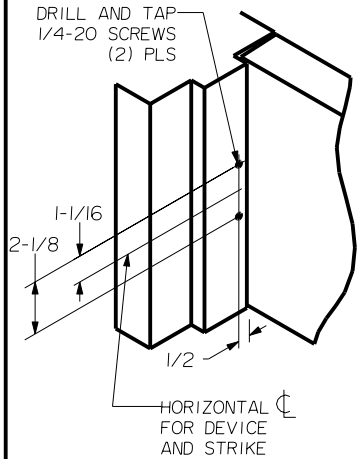
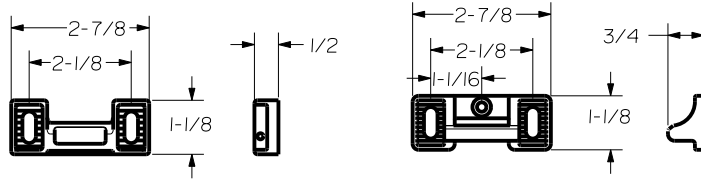
**REINFORCEMENT REQUIREMENTS**  
 PROVIDE ADEQUATE REINFORCEMENT TO METAL COVERED COMPOSITE AND HOLLOW METAL DOORS FOR THE DRILLING AND TAPPING OF THE MACHINE SCREWS.

**SEX NUTS AND BOLTS**  
 SEX BOLTS ARE REQUIRED FOR PLASTIC, WOOD, METAL COVERED COMPOSITE AND HOLLOW METAL DOORS WITHOUT REINFORCEMENT

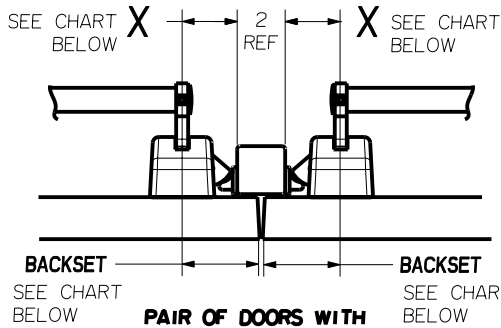
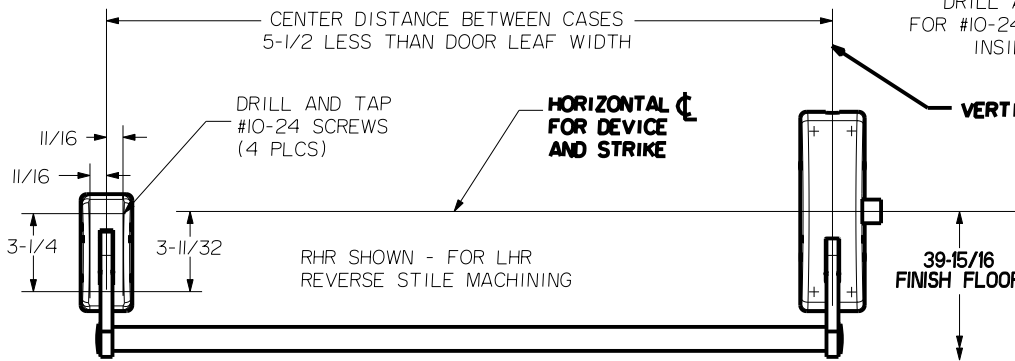
**SEX BOLT MACHINING**  
 DRILL 1/4 DIA. INSIDE  
 DRILL 3/8 DIA. OUTSIDE

NOTE: "LETTER" AT END OF TRIM MODEL NO. DESIGNATES GRIP STYLE. EXCEPT AS NOTED, GRIP STYLE HAS NO EFFECT ON STILE MACHINING.

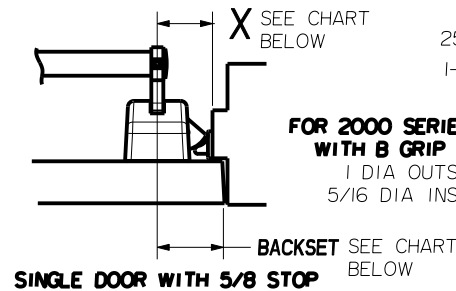
DEVICES	TRIMS	HOLE B 1-3/8 DIA. THRU DOOR	SLOT C THRU DOOR	D1
<b>I01,FLI01,RIO1,FLRIO1</b>	2001	NO	NO	3/8 DIA OUTSIDE 1/4 DIA INSIDE
<b>I02,FLI02,RIO2,FLRIO2</b>	2002	NO		
<b>I03,FLI03,RIO3,FLRIO3</b>	2003	YES		
<b>I05,FLI05,RIO5,FLRIO5</b>	Y2005	YES	YES	NO
<b>I15,FLI15,RIO15,FLRIO15</b>	Y2015	NO		



**SINGLE DOOR WITH 5/8 STOP**

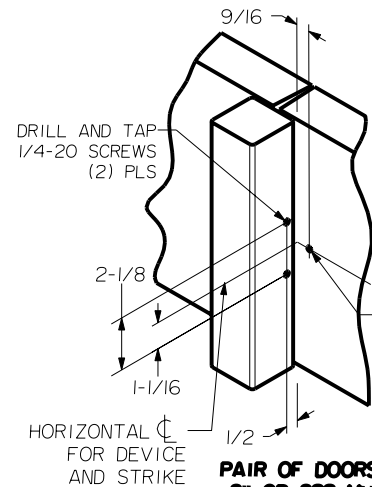
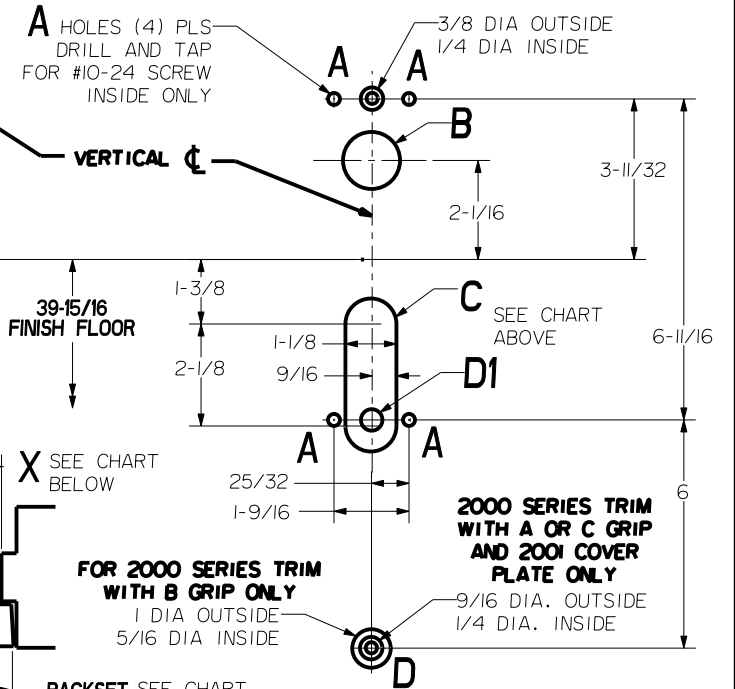


**PAIR OF DOORS WITH 811 OR 822 MULLION**



**SINGLE DOOR WITH 5/8 STOP**

**LOCK STILE MACHINING**



**PAIR OF DOORS WITH 811 OR 822 MULLION**

STRIKE	APPLICATION	BACKSET	MIN. STILE	DIM X
S300 S301	SINGLE DOOR	2-3/4	4-1/4	2-1/4
	PAIR OF DOORS	3-1/8	4-5/8	
S458	SINGLE DOOR	2-9/16	4	2-1/16
	PAIR OF DOORS	2-15/16	4-3/8	

**STANLEY**  
**phi**  
 Precision Hardware  
 a Division of Stanley Security Solutions, Inc.  
 www.stanleysecuritysolutions.com

DEVICE SERIES		TRIM SERIES	
I00,FLI00,RIO0,FLRIO0		2000	
STRIKE NO.	RELEASED DATE	TEMPLATE NO.	REV
S300, S301, S458	5/01/05	HM-100B	C