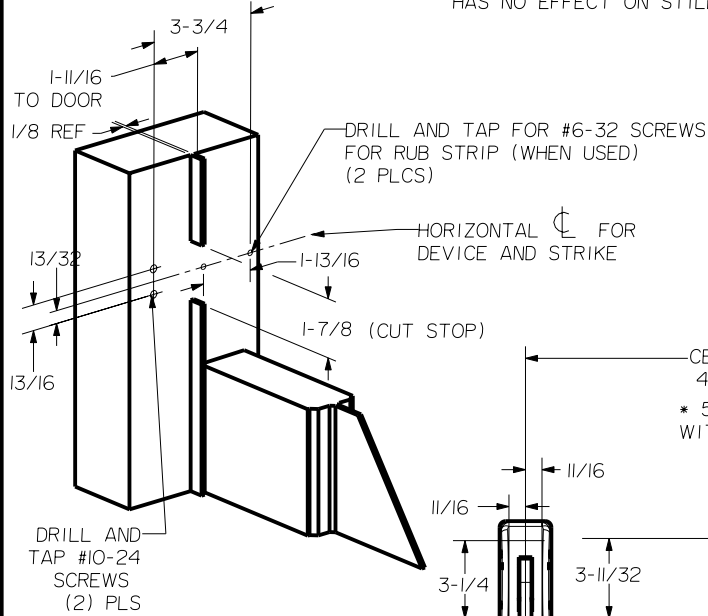


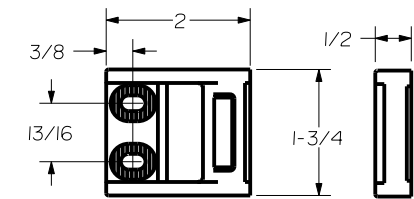
SEX BOLT MACHINING

DRILL 1/4 DIA. INSIDE
DRILL 3/8 DIA. OUTSIDE

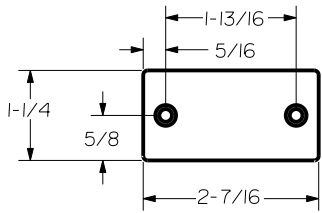


NOTE:
"LETTER" AT END OF TRIM MODEL NO. DESIGNATES LEVER OR GRIP STYLE. EXCEPT AS NOTED, LEVER OR GRIP STYLE HAS NO EFFECT ON STILE MACHINING.

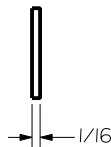
HOLE (4) PLS A	DEVICES	TRIMS	HOLE B	HOLE C THRU DOOR
#10-24 TAP INSIDE ONLY	101, R101	EXIT ONLY	NO	NO
	103, R103	CYL ONLY	1-3/8 DIA INSIDE 1-3/16 DIA OUTSIDE	
1/4 DIA INSIDE 3/8 DIA OUTSIDE	101, R101	1701, 4901	NO	THRU DOOR
	102, R102	1702, 4902		
	103, R103	1703, 4903		
	105, R105	Y1705	1-3/8 DIA THRU DOOR	
	106, R106	Y4908, YV4908		
	114, R114	Y4914		
	115, R115	Y1715	NO	



ROLLER STRIKE S988 (STANDARD)



RUB STRIP S454 (STANDARD)

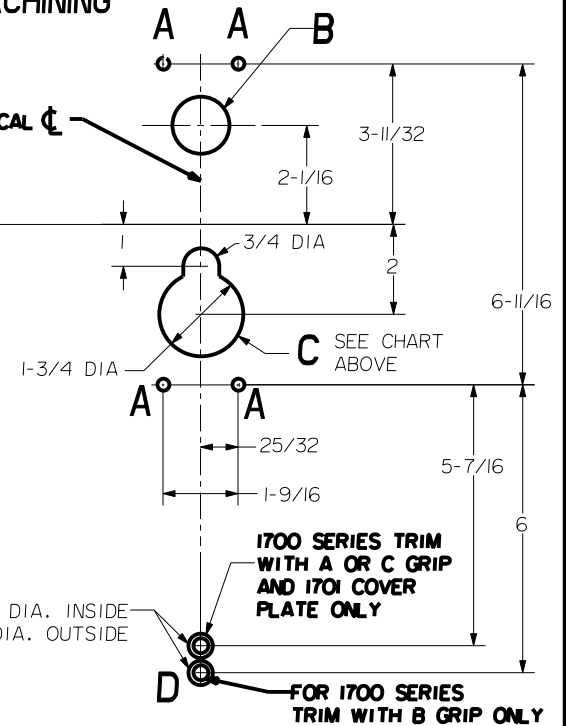
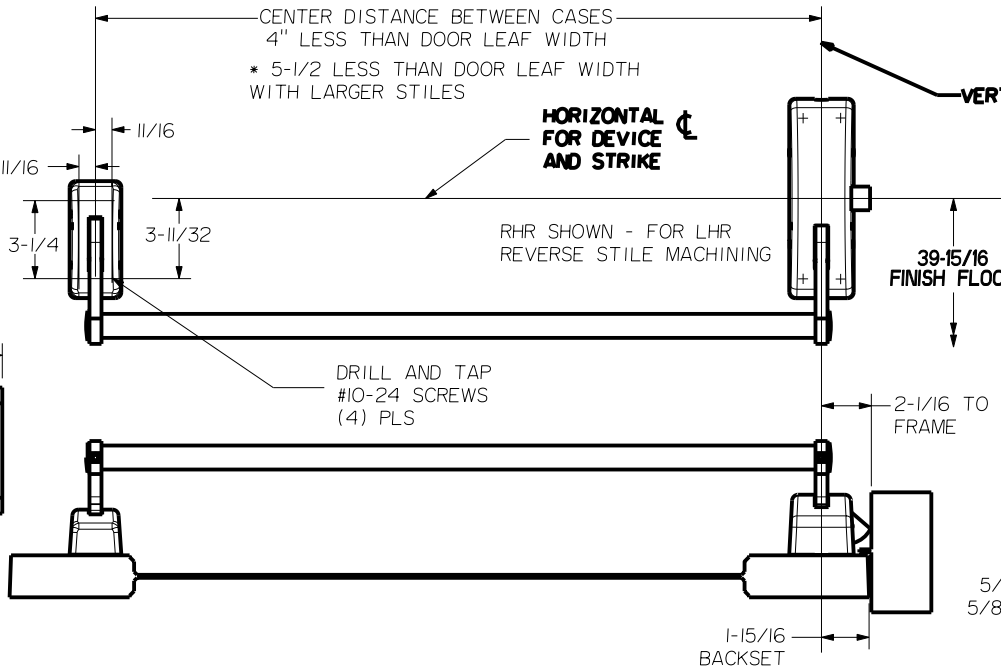


ALUMINUM DOOR AND FRAME WITH BLADE OR APPLIED STOP

MIN. STILES	DEVICE SIZE	DOOR WIDTH
3-1/2"	3'-0"	2'-6" TO 2'-10"
	4'-0"	3'-0" TO 3'-10"
4-3/4" OR FLUSH DOOR	3'-0"	2'-7" TO 3'-0"
	4'-0"	3'-1" TO 4'-0"

*

LOCK STILE MACHINING



STANLEY
phi
Precision Hardware
a Division of Stanley Security Solutions, Inc.
www.stanleysecuritysolutions.com

DEVICE SERIES		TRIM SERIES	
100, R100,		EXIT ONLY, CYL ONLY, 1700, 4900	
STRIKE NO.	RELEASED DATE	TEMPLATE NO.	REV
S988	5/01/05	AL-100A	C